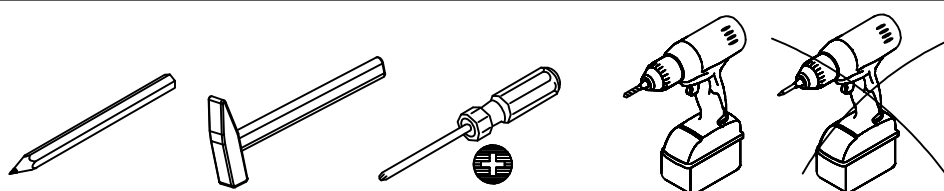
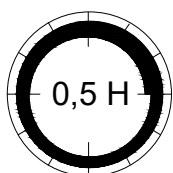
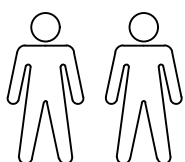
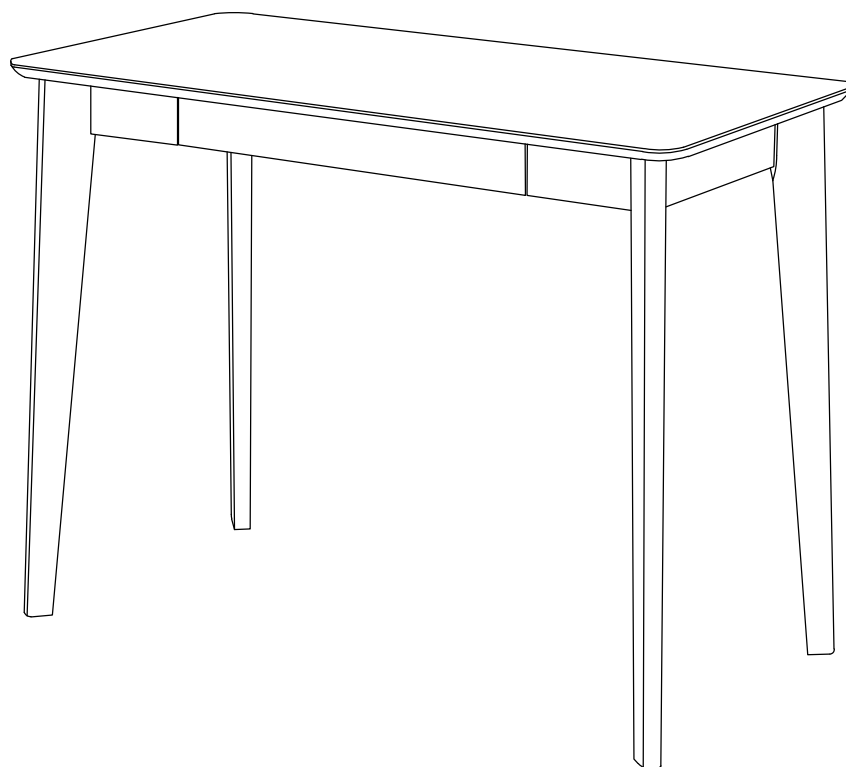
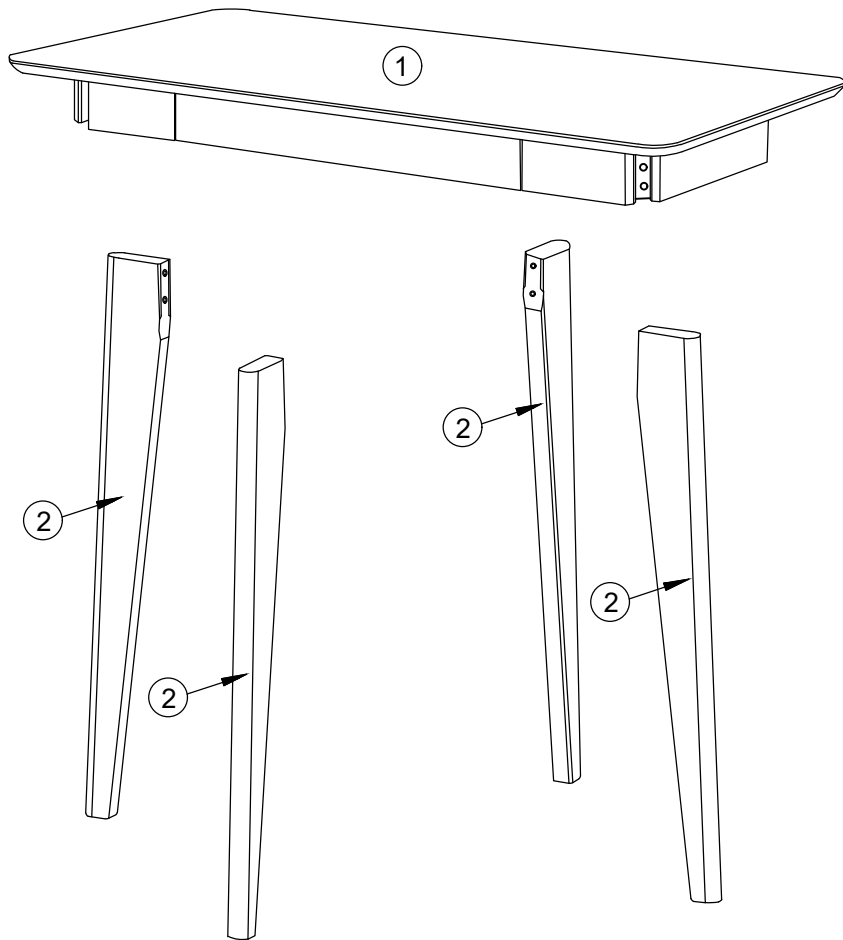
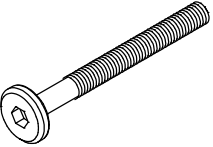
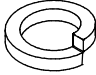

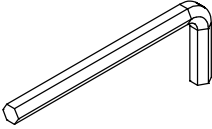
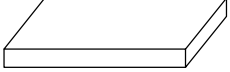
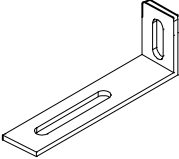
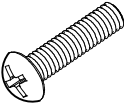
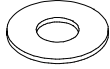


ROXBY

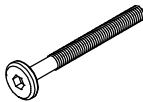
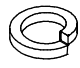

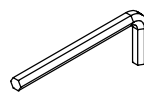


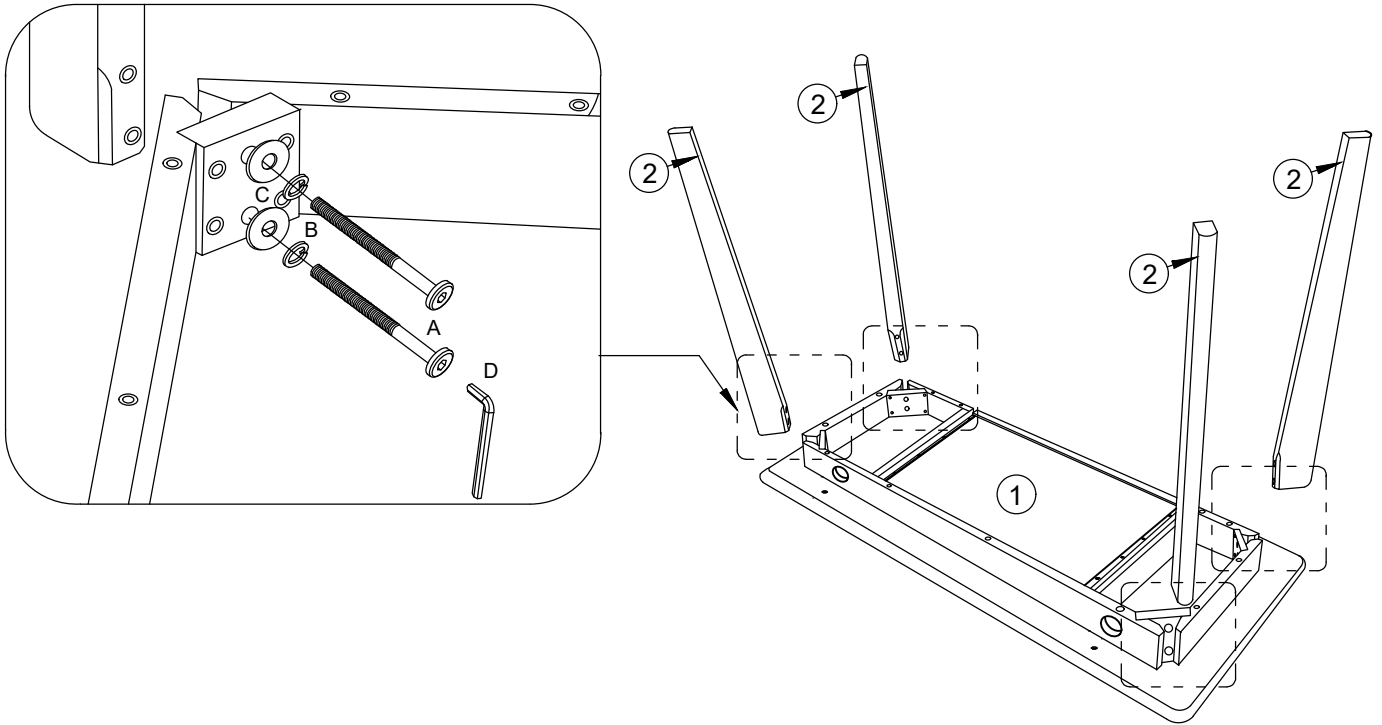
			✓
①	1	1000x500x98	
②	4	743x75x28	



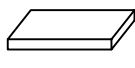
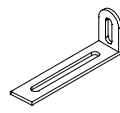
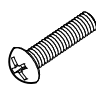

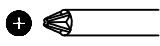
<p>A x 8</p>  <p>M8x70 mm</p>	<p>B x 8</p>  <p>Ø8/Ø13 mm</p>	<p>C x 8</p>  <p>Ø8/Ø22 mm</p>	<p>D x 1</p>  <p>5 mm</p>	<p>E x 4</p>  <p>3x23x30 mm</p>
<p>F x 2</p>  <p>75x30x15 mm</p>	<p>G x 2</p>  <p>M4X16 mm</p>	<p>H x 4</p>  <p>Ø4/Ø12 mm</p>		

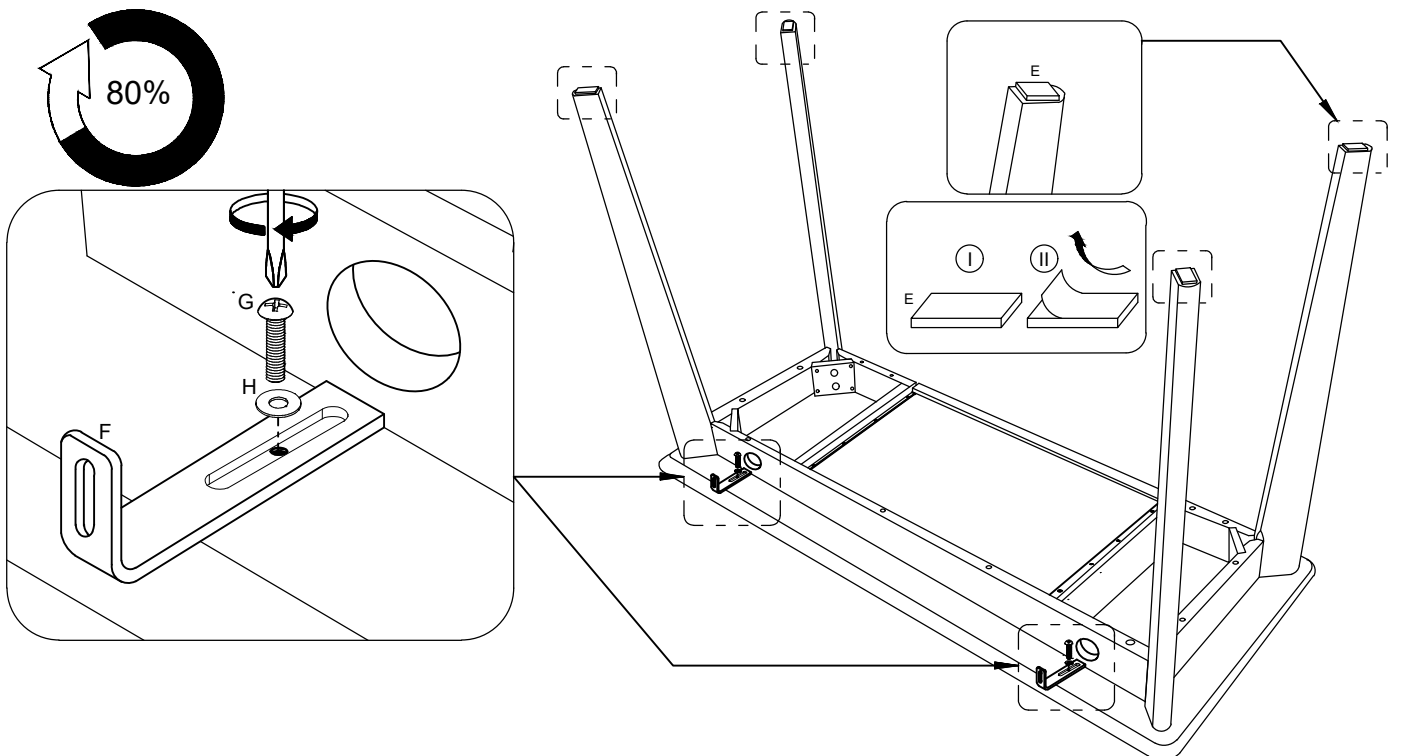
1

A x 8  M8x70 mm	B x 8  Ø8/Ø13mm	C x 8  Ø8/Ø22 mm	D x 1  5 mm
--	--	---	--

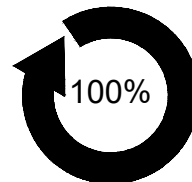
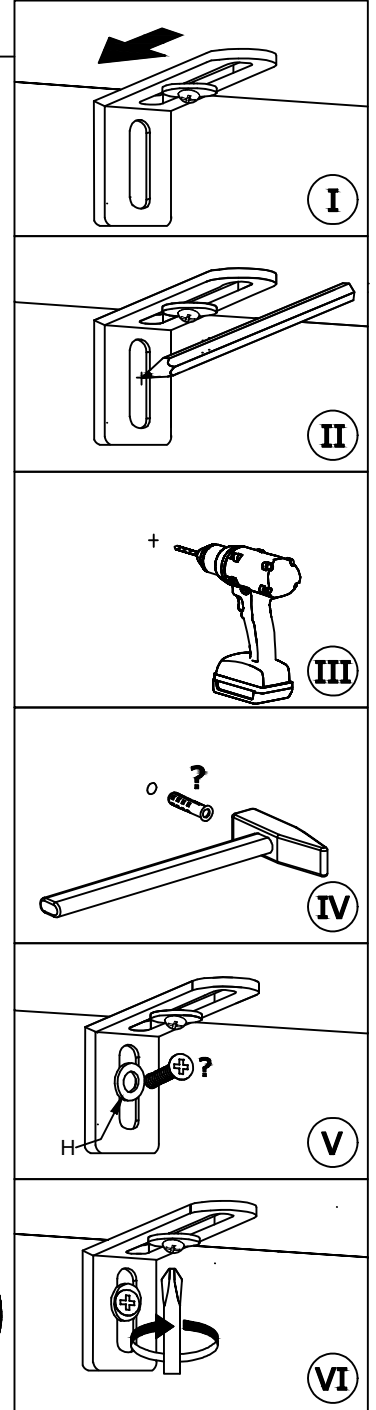
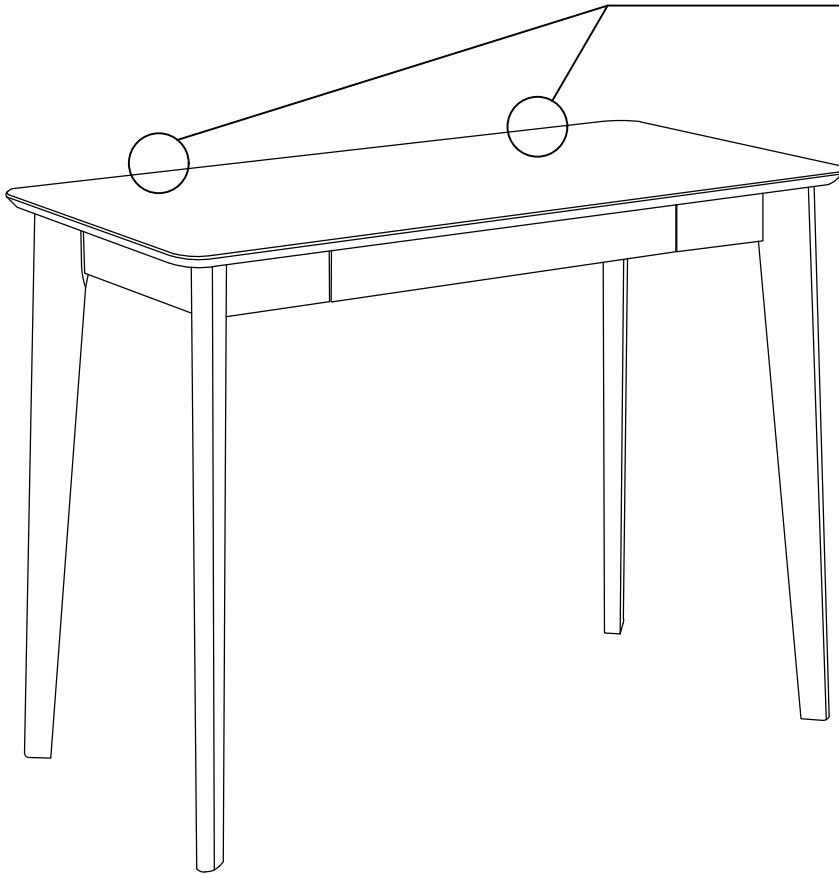
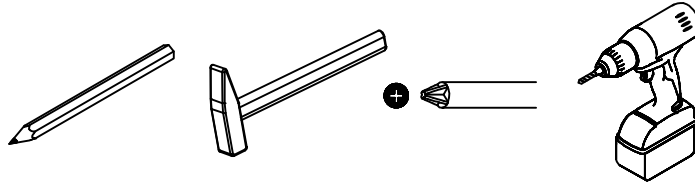
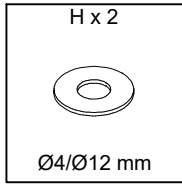


2

E x 4  3x23x30 mm	F x 2  75x30x15 mm	G x 2  M4x16 mm	H x 2  Ø4/Ø12 mm	
--	---	--	---	---



3



4

