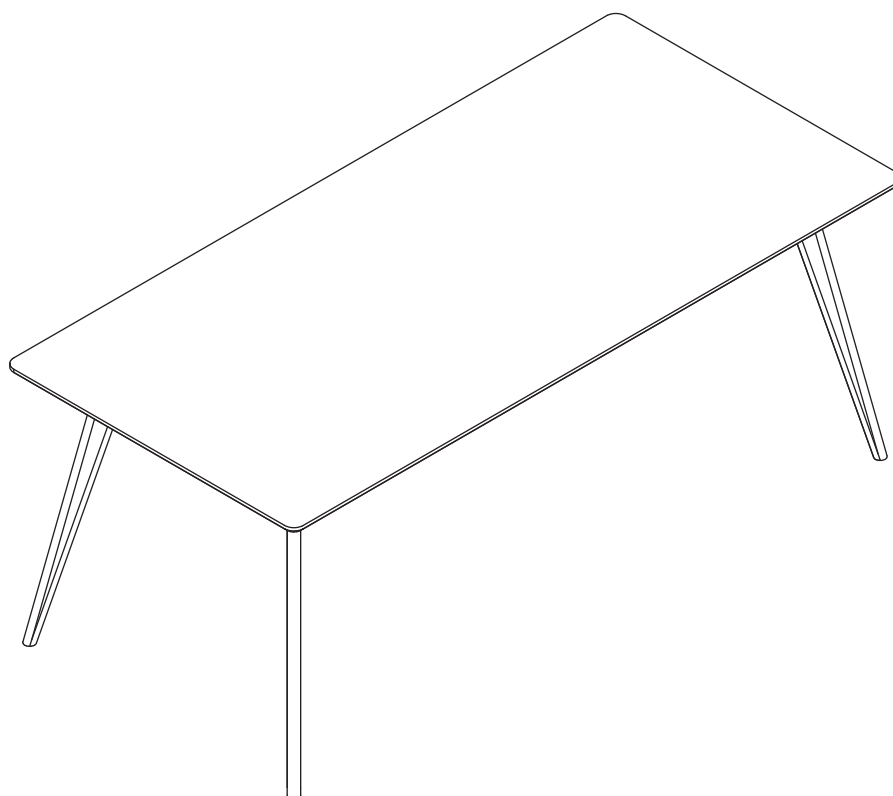


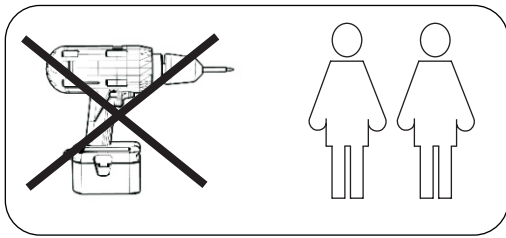
ASSEMBLY INSTRUCTION

YUMI DINING TABLE RECT.


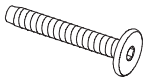
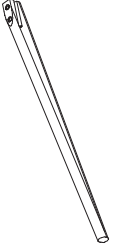

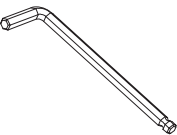




ROWICO

H O M E



1

| | |
|--|--|
| <p>Ax1</p>  | <p>Cx8</p>  <p>M6×60MM</p> |
| <p>Bx4</p>  | <p>Dx8</p>  <p>Ø10.4/Ø6.5</p> |
| <p>Gx1</p>  <p>Ø4</p> | <p>Ex8</p>  <p>Ø16/Ø6.5</p> |
| | <p>Fx4</p>  <p>Ø20</p> |

