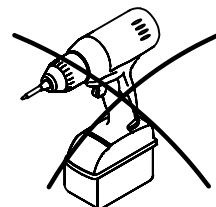
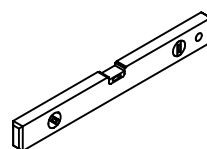
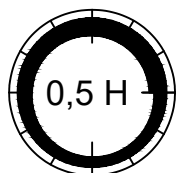
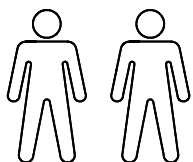
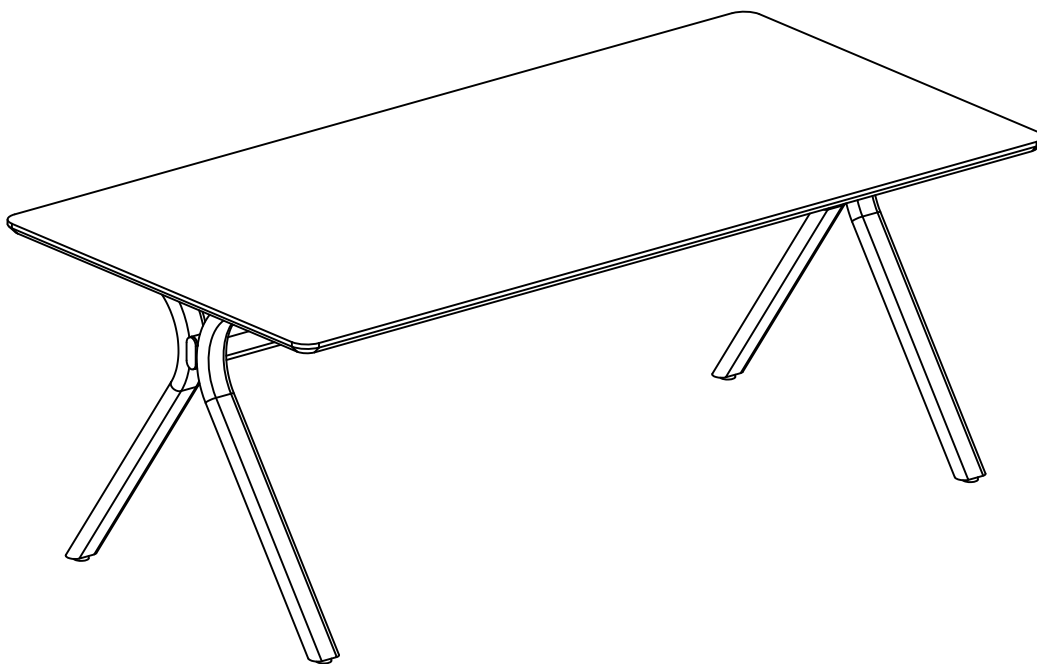
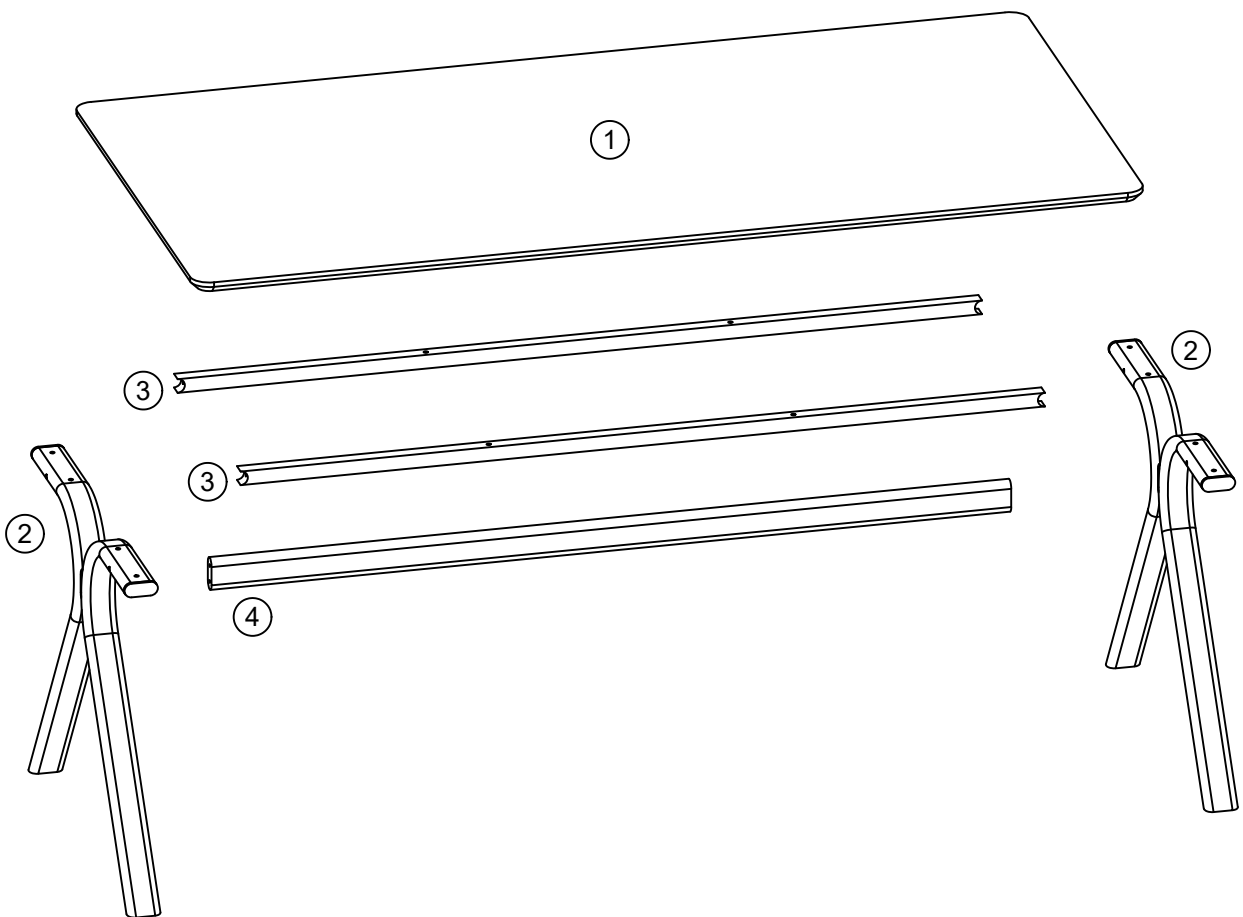
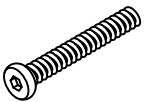
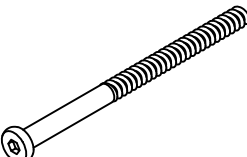
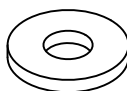

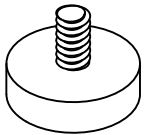



# BRISTOL





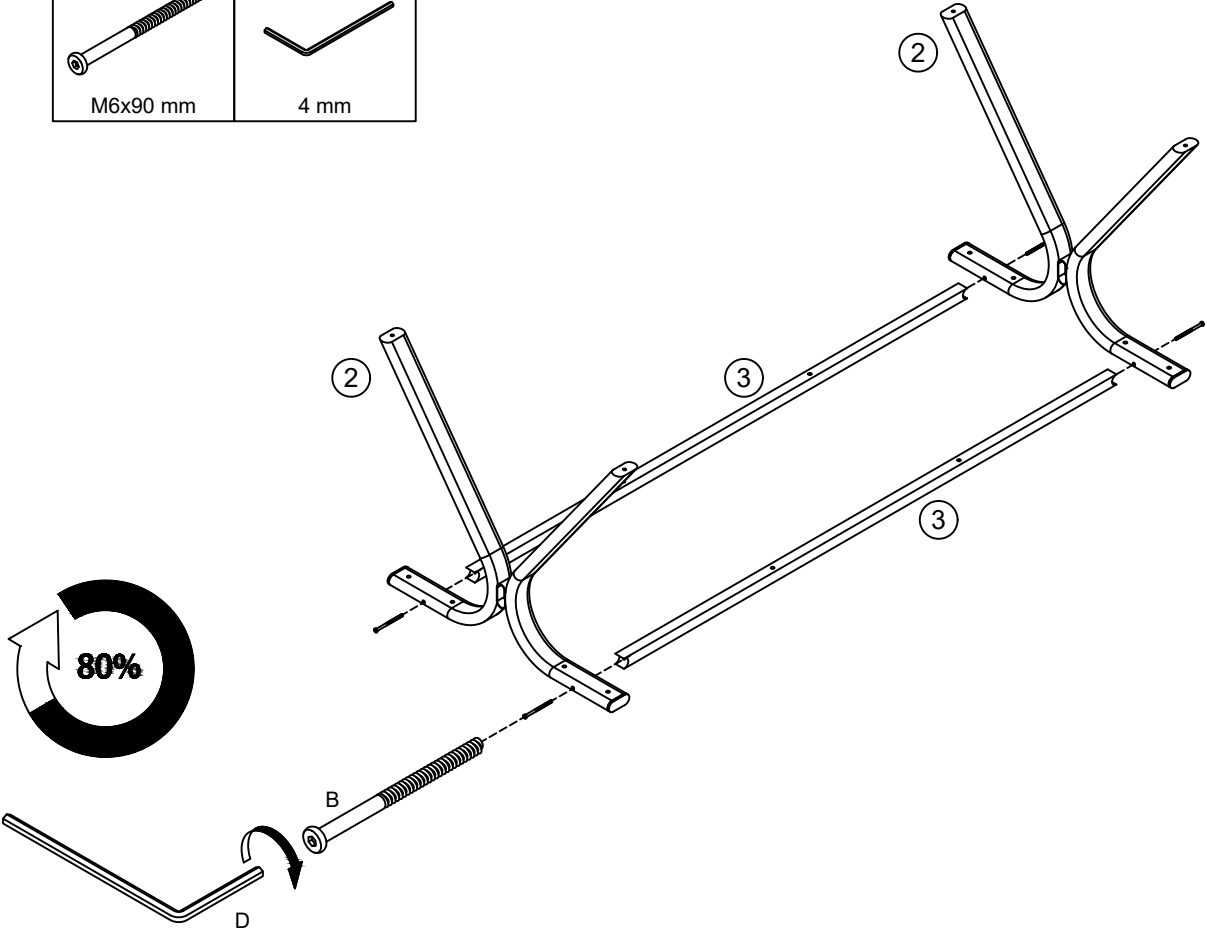
			✓
①	1	2000x1000x25	
②	2	834x719x70	
③	2	1680x30x30	
④	1	1680x70x30	





<p>A x 16</p>  <p>M6x45 mm</p>	<p>B x 4</p>  <p>M6x90 mm</p>	<p>C x 8</p>  <p>Ø6/Ø16 mm</p>	<p>D x 1</p>  <p>4 mm</p>	<p>E x 4</p>  <p>M8/Ø32x15/9 mm</p>
<p>F x 2</p>  <p>70x30x20 mm</p>				

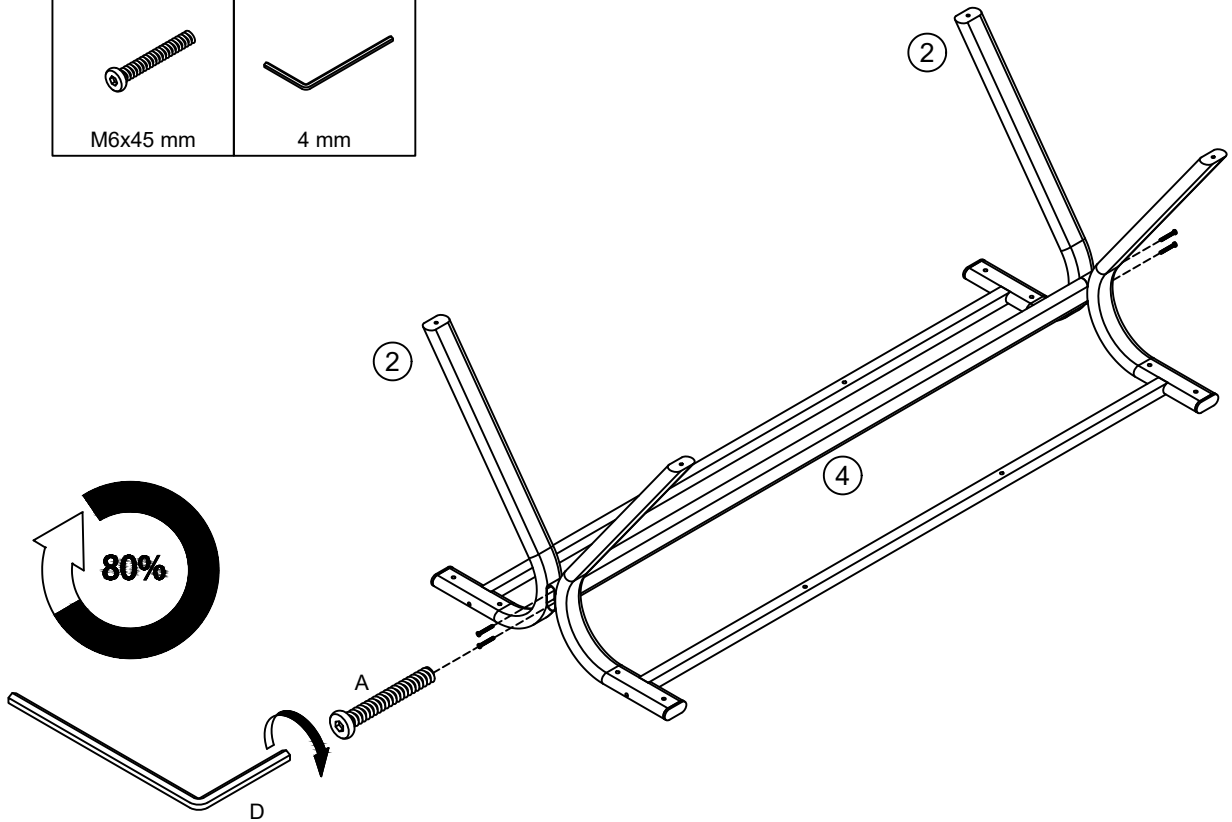
# 1

B x 4  M6x90 mm	D x 1  4 mm
--	--






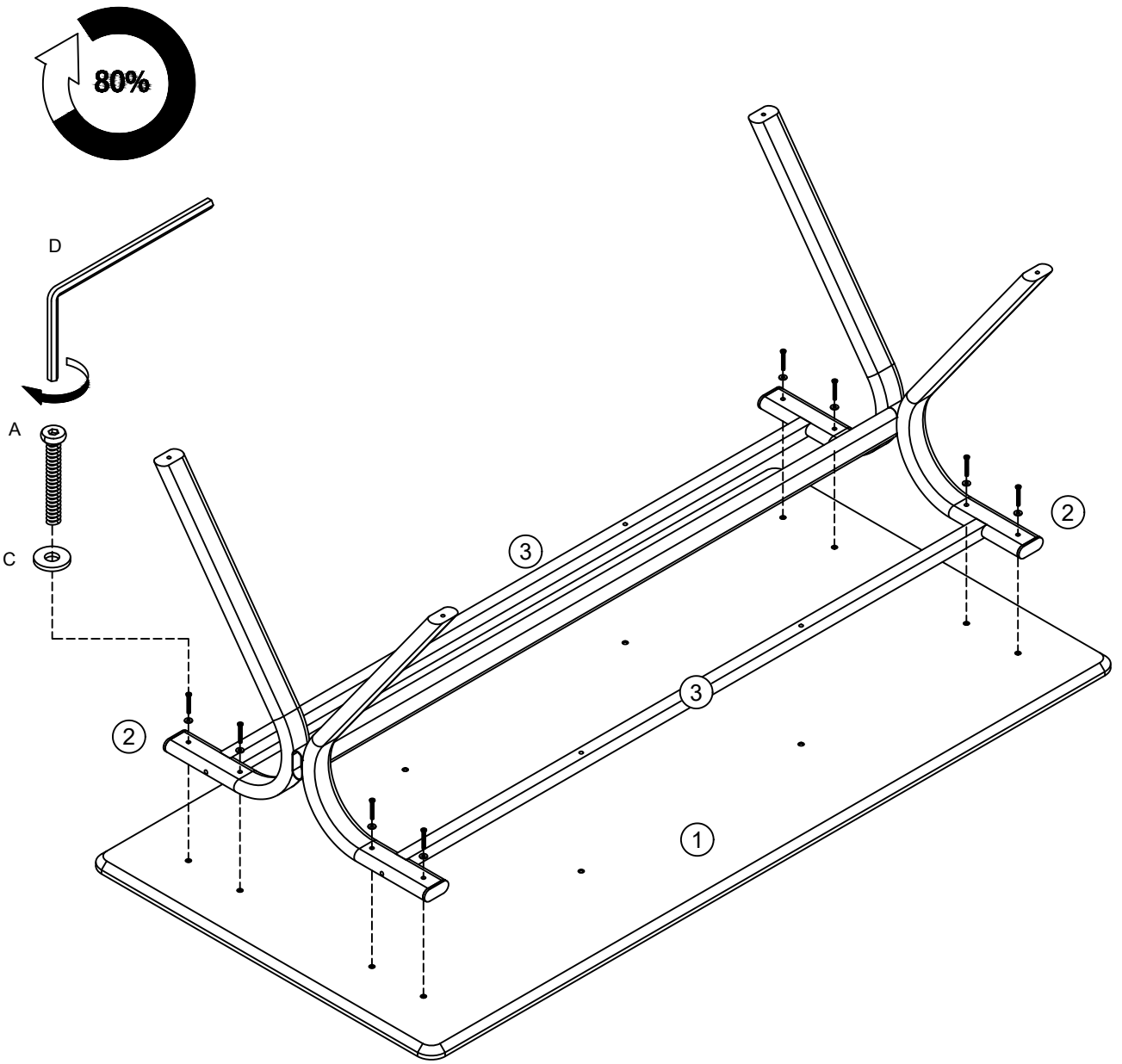
# 2

A x 4  M6x45 mm	D x 1  4 mm
--	--





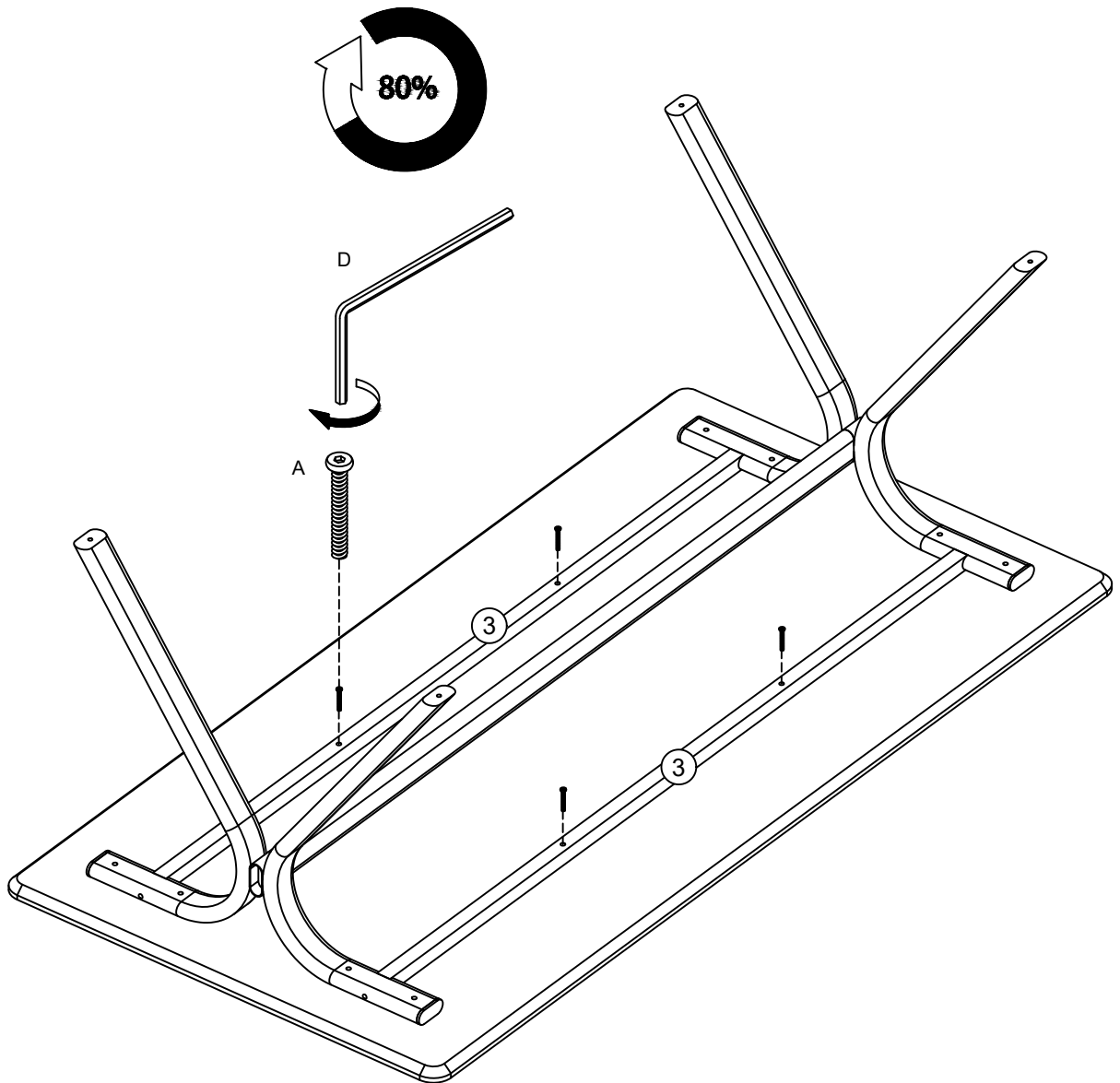
# 3

A x 8  M6x45 mm	C x 8  Ø6/Ø16 mm	D x 1  4 mm
--	---	--

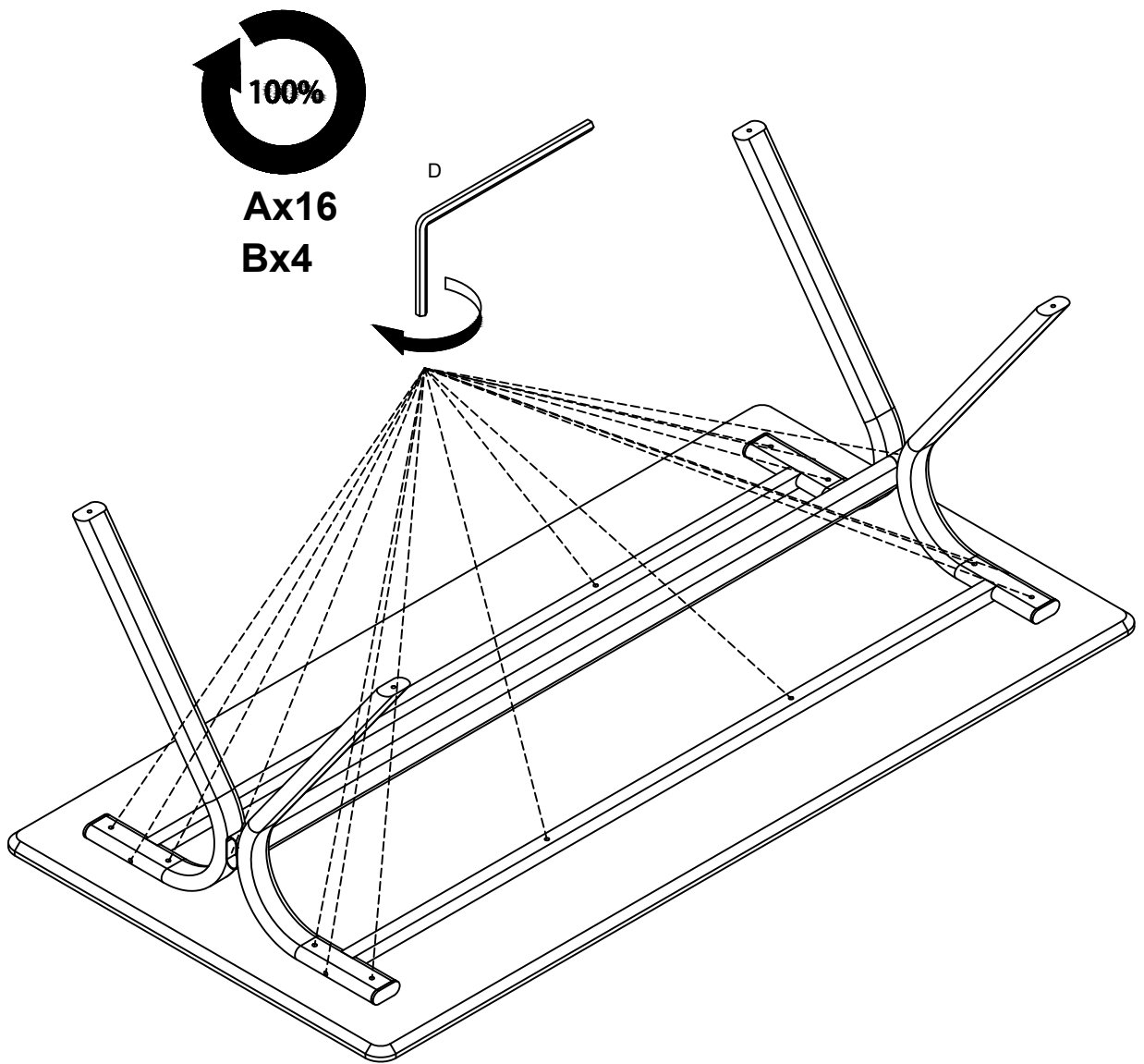
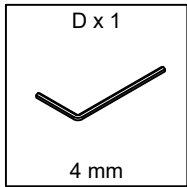


# 4

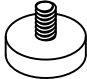

A x 4	D x 1
	
M6x45 mm	4 mm

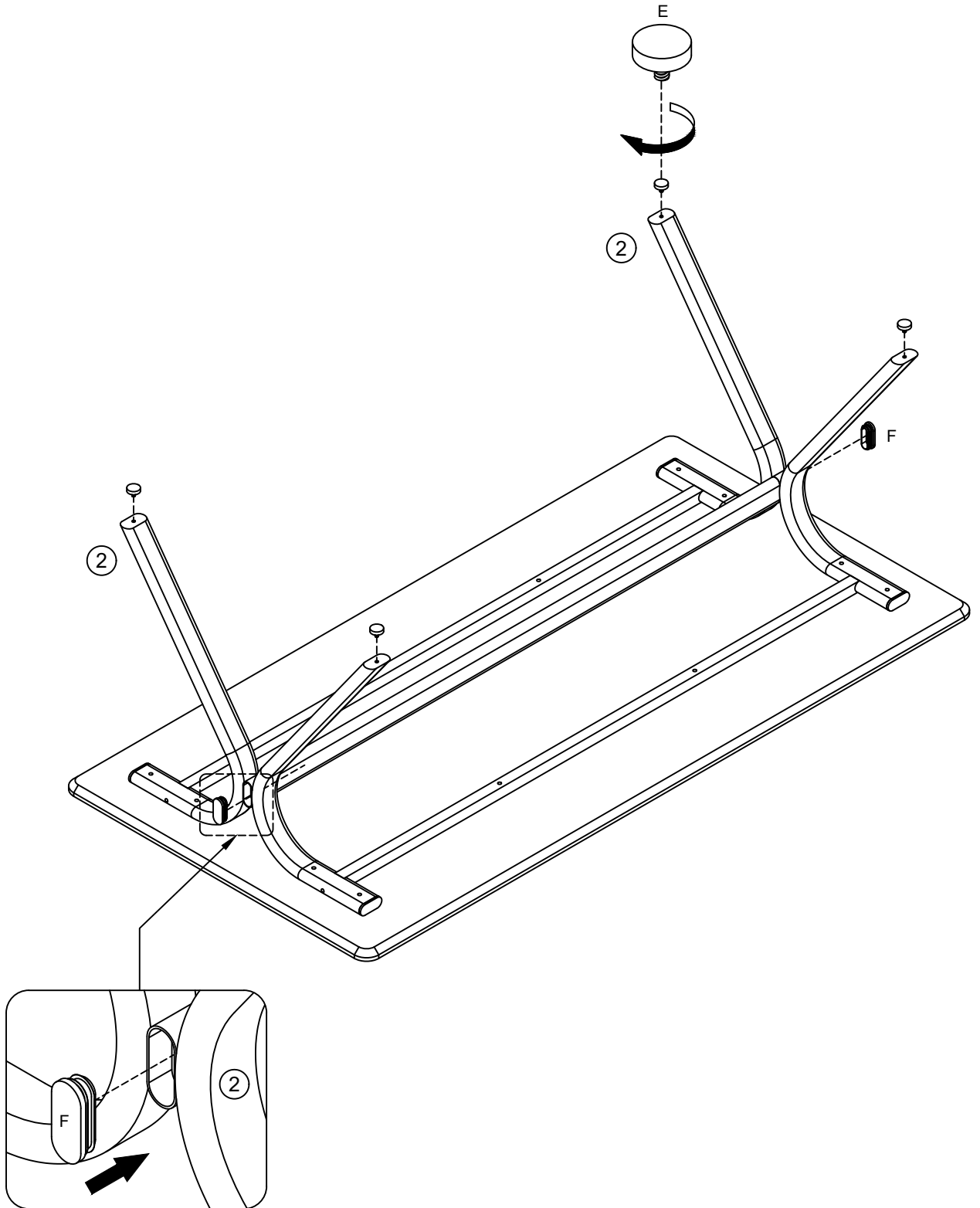


5



# 6

<p>E x 4</p>  <p>M8/Ø32x15/9 mm</p>	<p>F x 2</p>  <p>70x30x20 mm</p>
--	---





7

