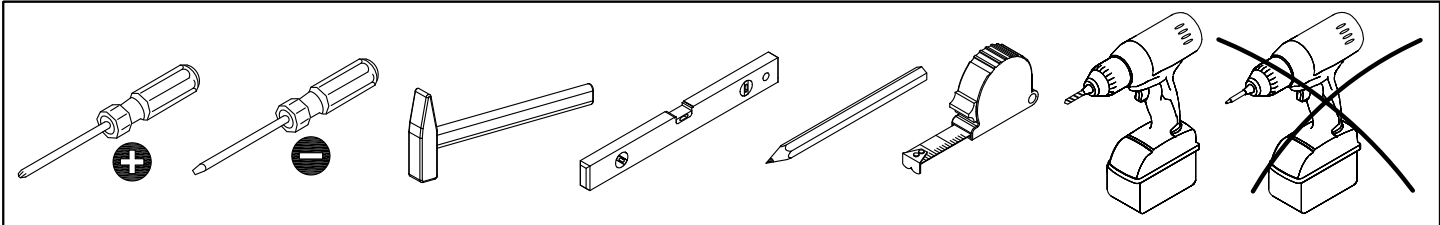
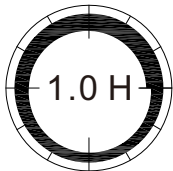
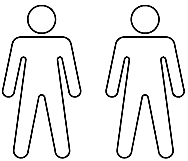
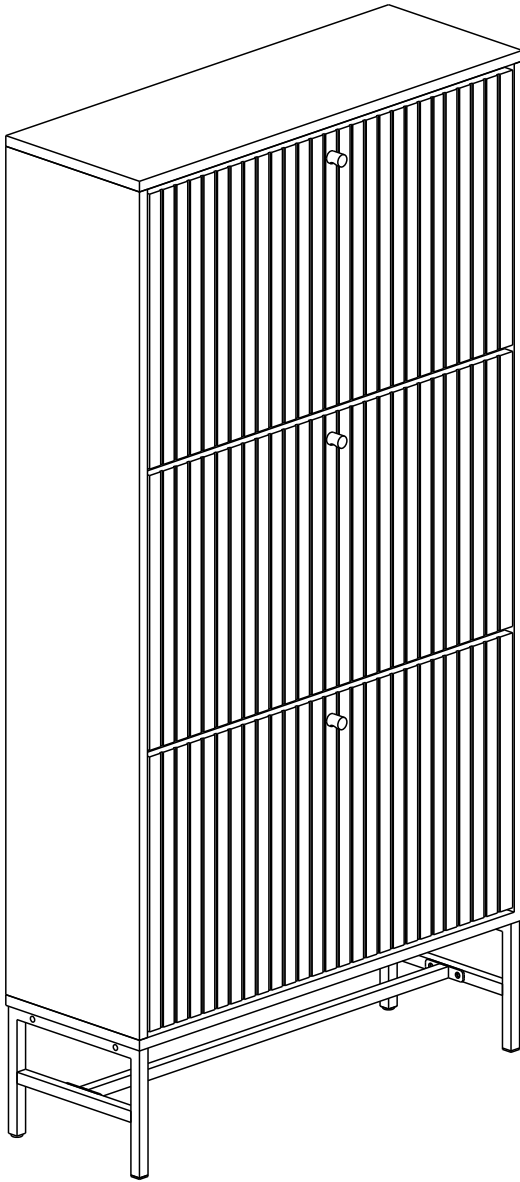
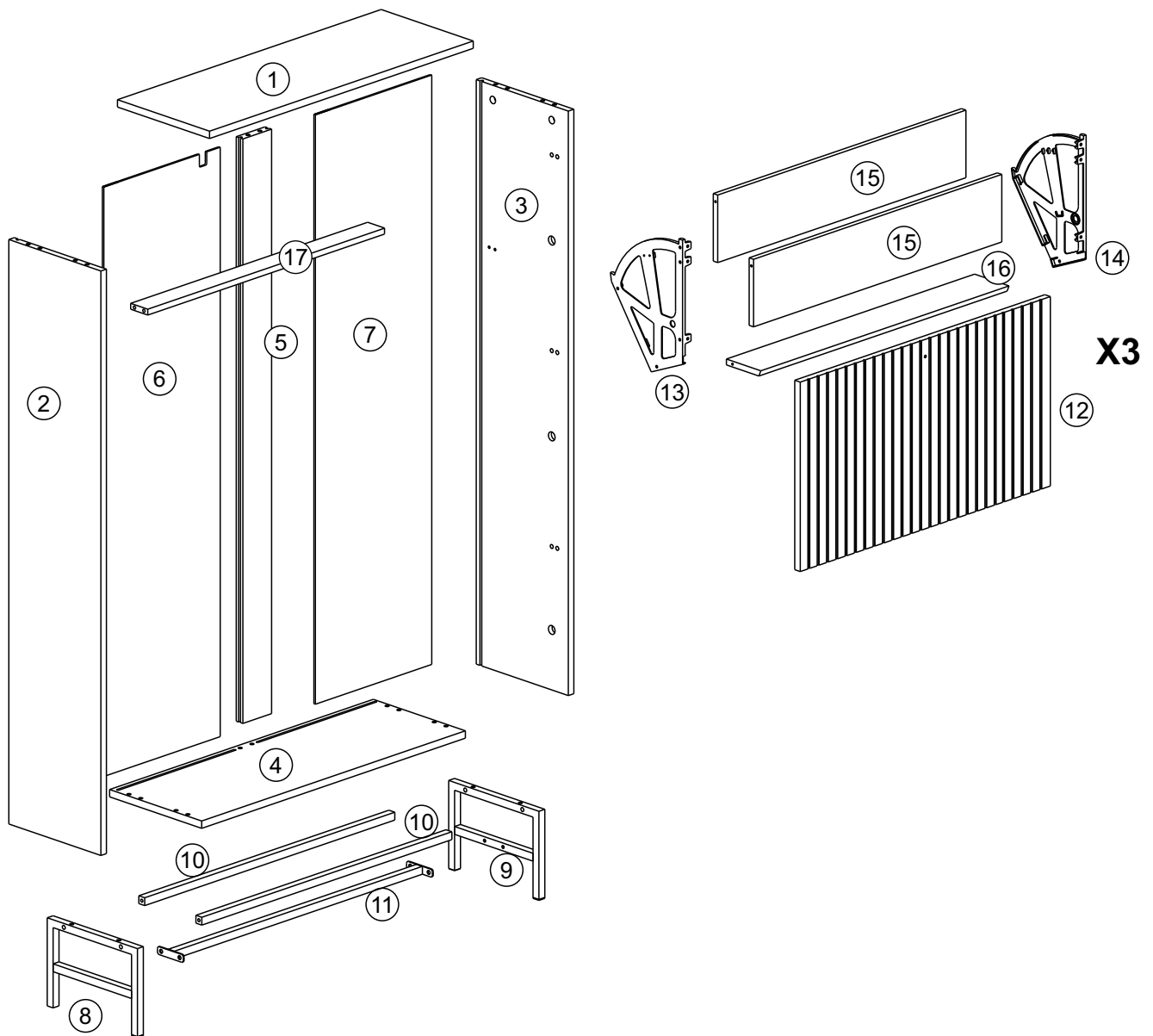


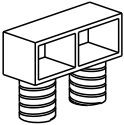


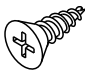
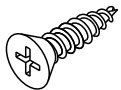
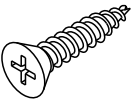

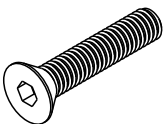
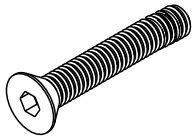

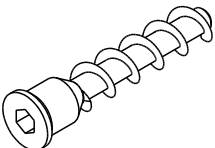
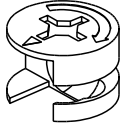
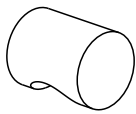
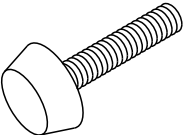
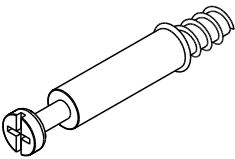
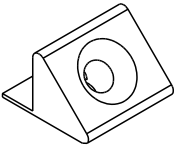
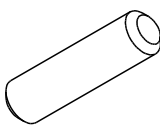

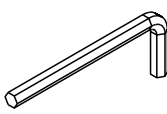
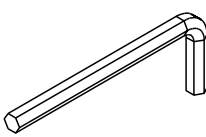
ALBANY



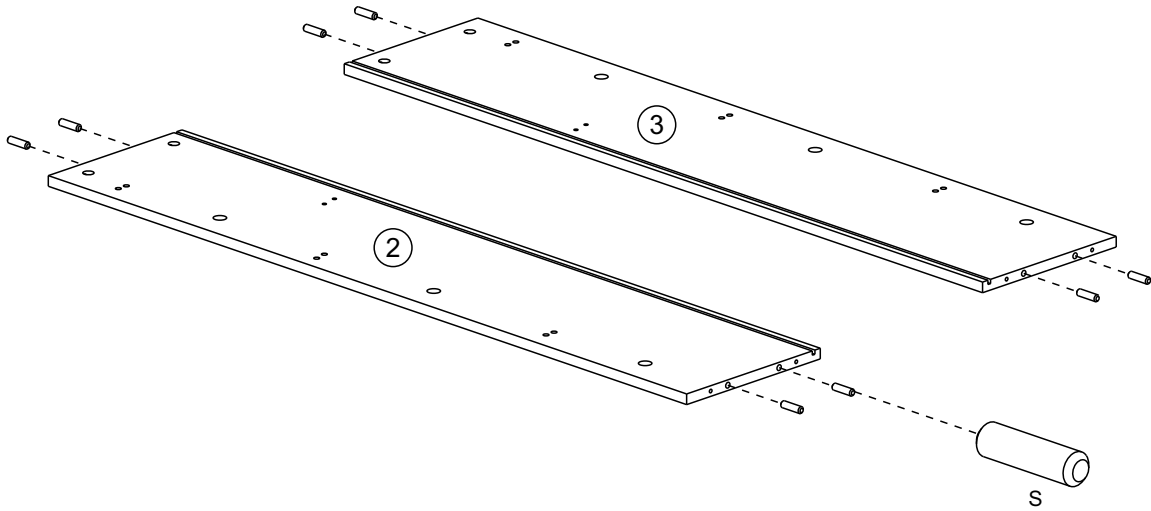
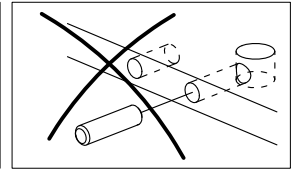
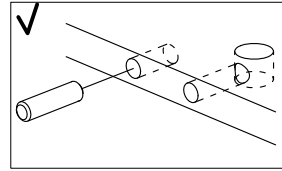
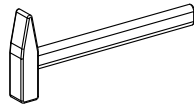
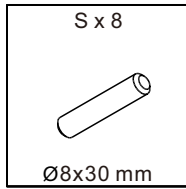
			✓
①	1	716x250x15mm	
②	1	1194x250x15mm	
③	1	1194x250x15mm	
④	1	716x250x15mm	
⑤	1	1194x80x15mm	
⑥	1	1204x312x4mm	
⑦	1	1204x312x4mm	
⑧	1	180x245x16mm	
⑨	1	180x245x16mm	

			✓
⑩	2	679x16x16mm	
⑪	1	679x70x16mm	
⑫	3	678x387x16mm	
⑬	3	296x200x23mm	
⑭	3	296x200x23mm	
⑮	6	674x144x12mm	
⑯	3	674x96x12mm	
⑰	1	685x78x15mm	

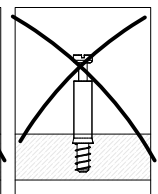
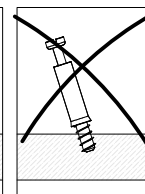
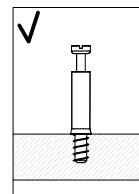
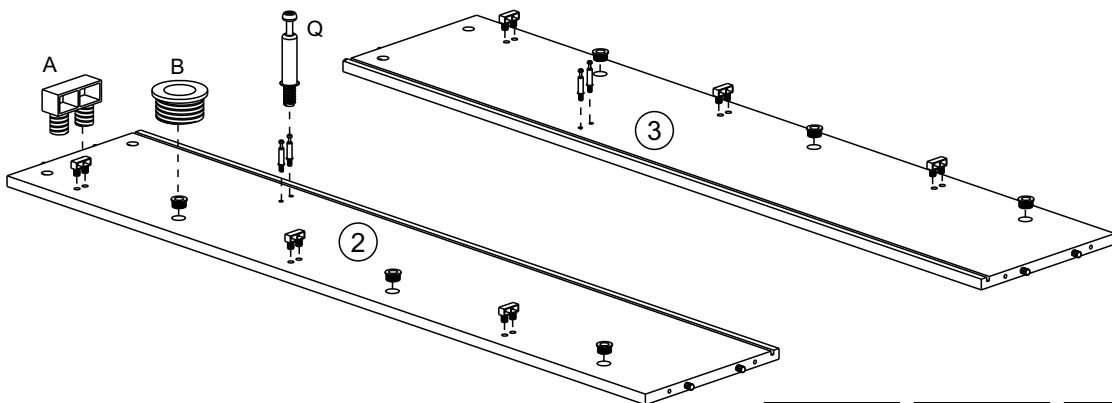
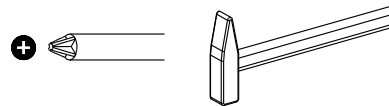
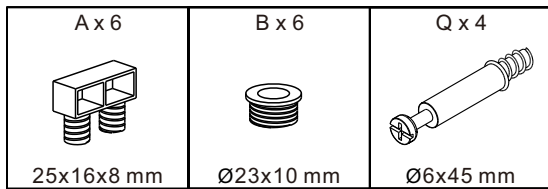


<p>A x 6</p>  <p>25x16x8 mm</p>	<p>B x 6</p>  <p>Ø23x10 mm</p>	<p>C x 6</p>  <p>Ø17x12 mm</p>	<p>D x 6</p>  <p>Ø4x14 mm</p>	<p>E x 36</p>  <p>Ø4x16 mm</p>
<p>F x 10</p>  <p>Ø3.5x20 mm</p>	<p>G x 6</p>  <p>M6x12 mm</p>	<p>H x 4</p>  <p>M6x28 mm</p>	<p>J x 4</p>  <p>M6x40 mm</p>	<p>K x 3</p>  <p>M6x20 mm</p>
<p>L x 6</p>  <p>Ø5x38 mm</p>	<p>M x 10</p>  <p>Ø15x12 mm</p>	<p>N x 3</p>  <p>Ø17x22 mm</p>	<p>P x 2</p>  <p>Ø13.5x25 mm</p>	<p>Q x 10</p>  <p>Ø6x45 mm</p>
<p>R x 10</p>  <p>15x13x10 mm</p>	<p>S x 8</p>  <p>Ø8x30 mm</p>	<p>T x 1</p>  <p>75x25x15 mm</p>	<p>U x 1</p>  <p>3 mm</p>	<p>V x 1</p>  <p>4 mm</p>

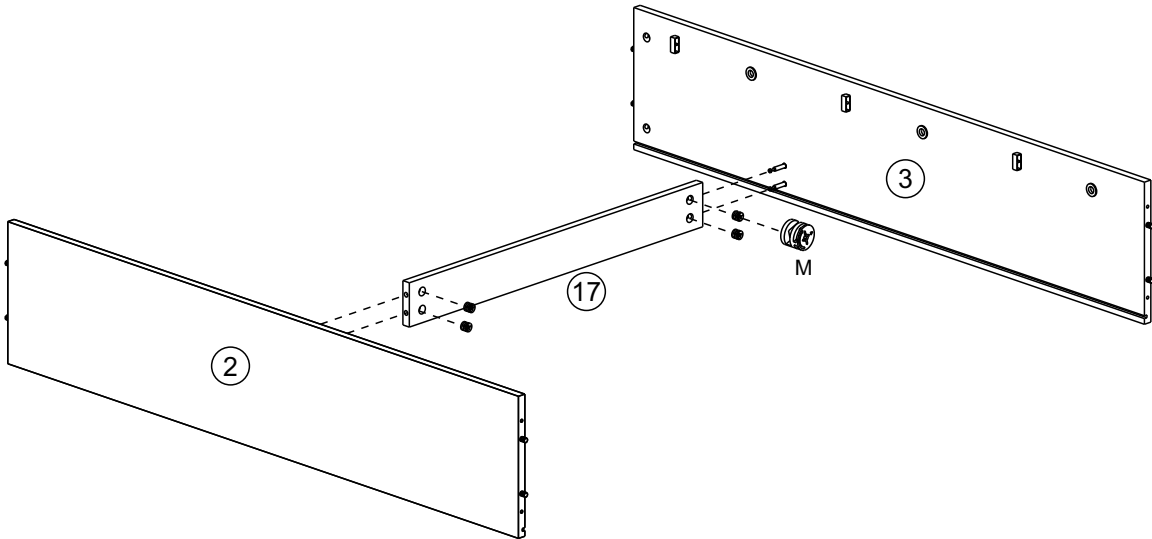
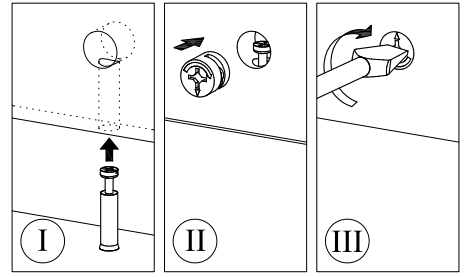
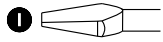
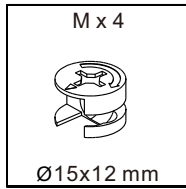
1



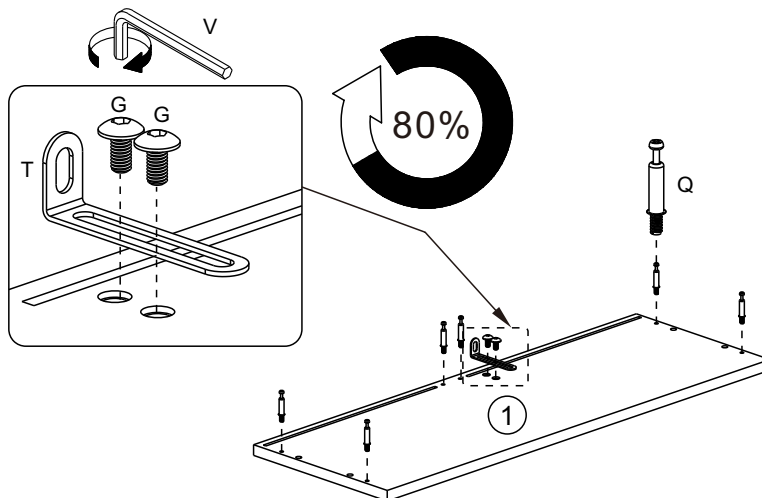
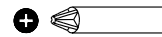
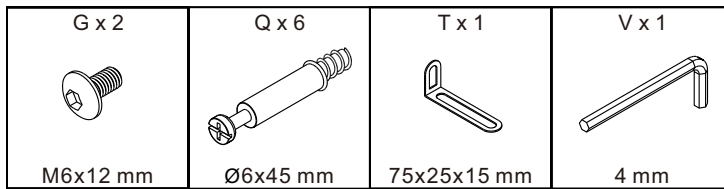
2



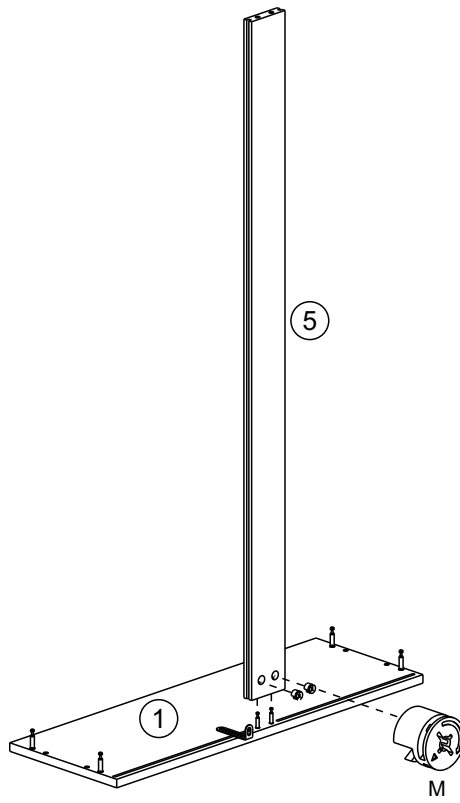
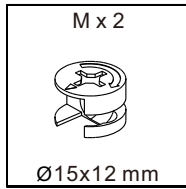
3



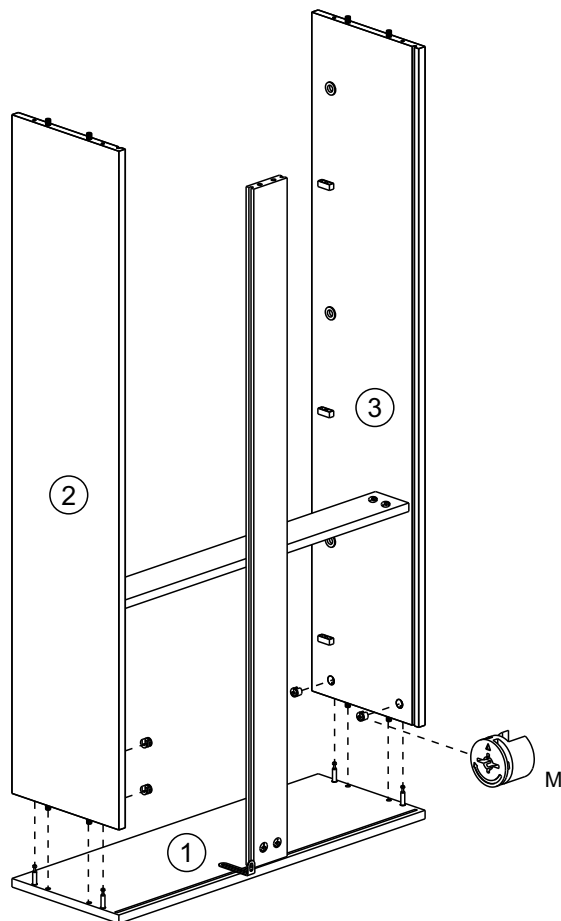
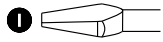
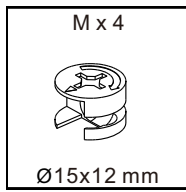
4



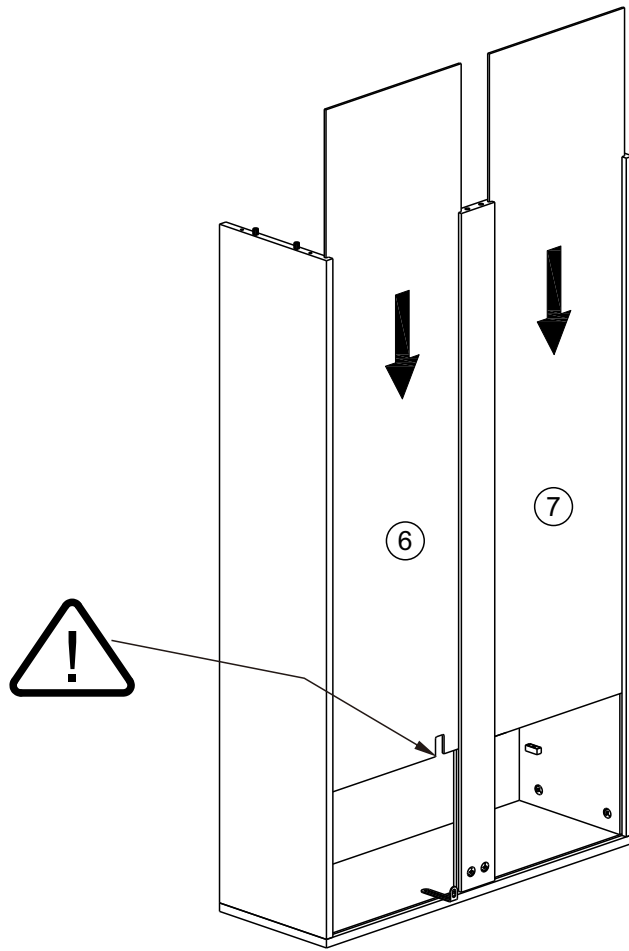
5



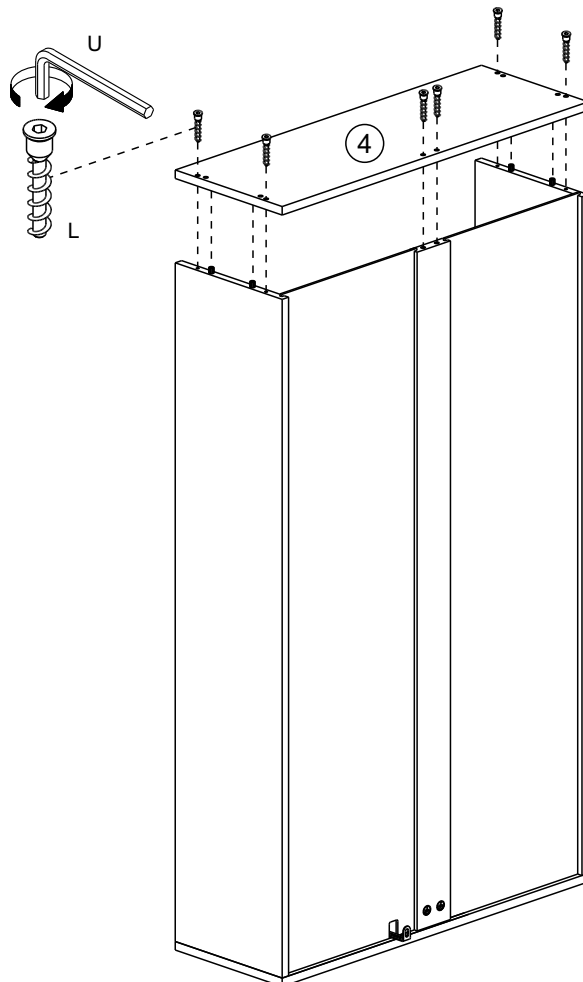
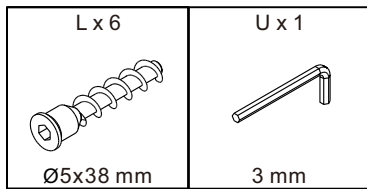
6



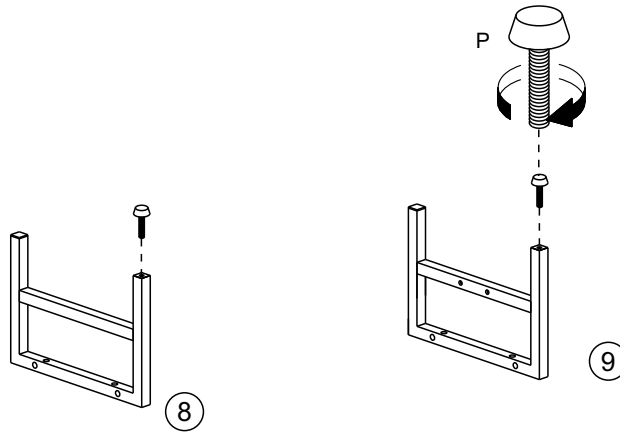
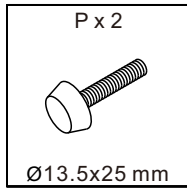
7



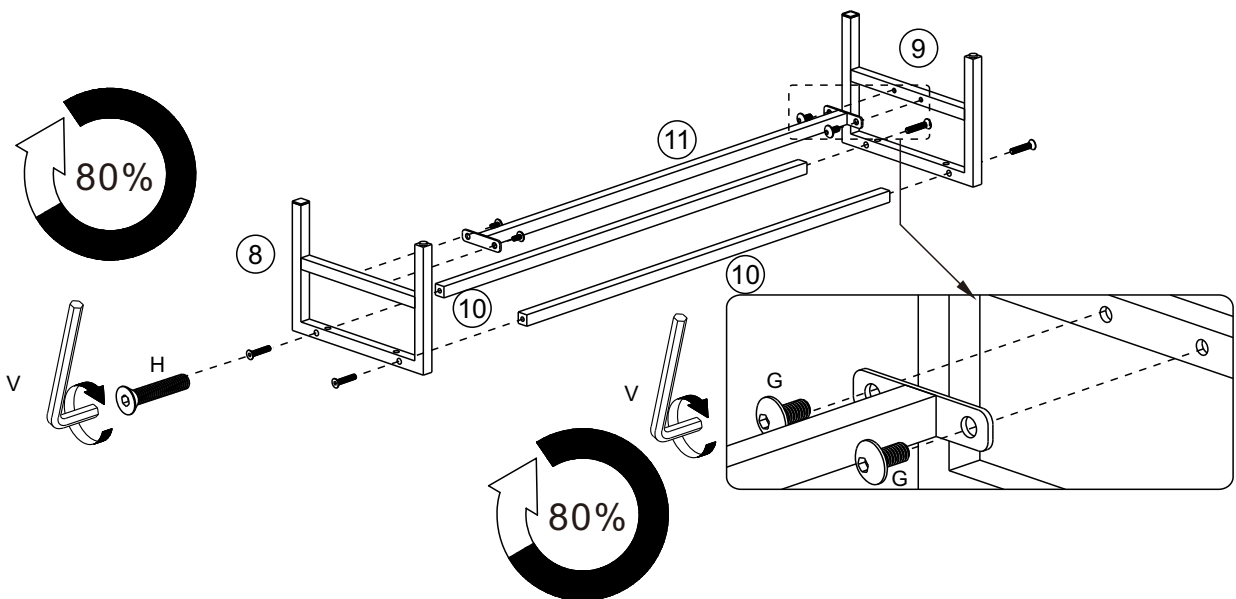
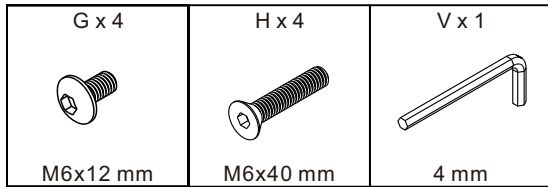
8



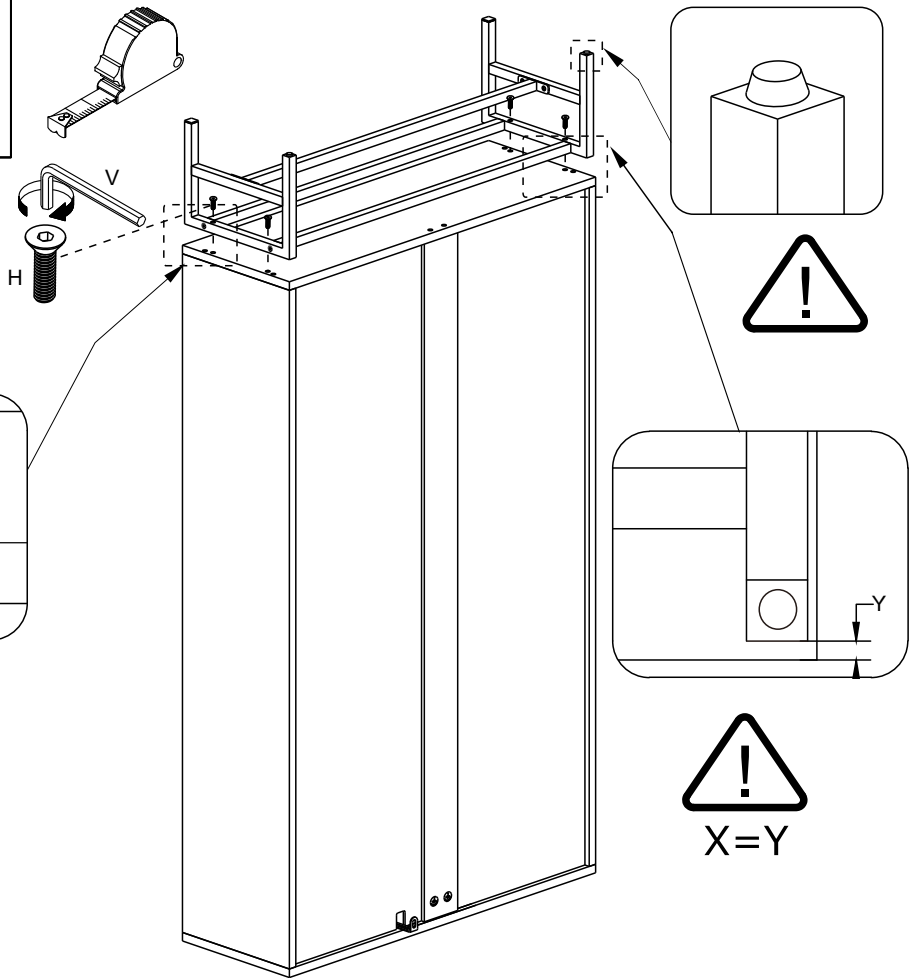
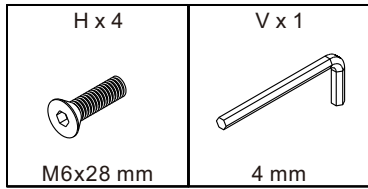
9



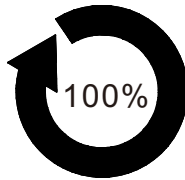
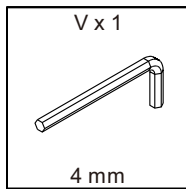
10



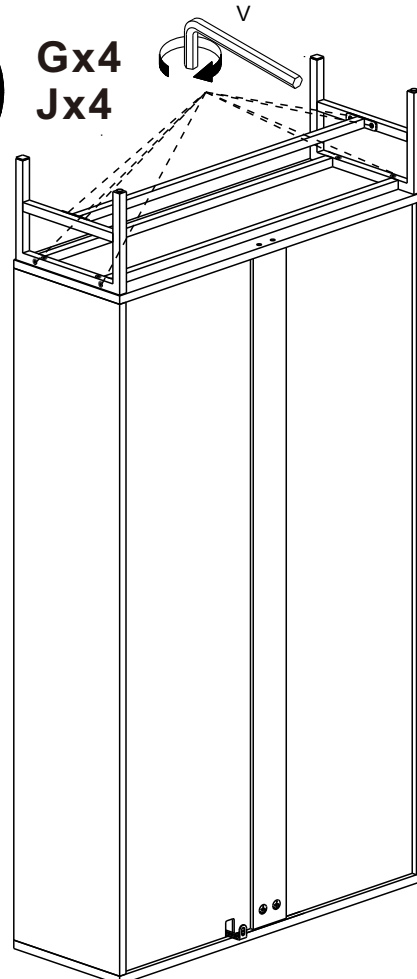
11



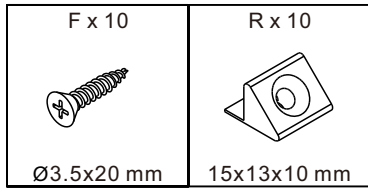
12



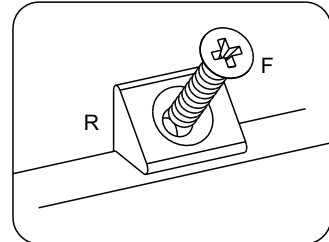
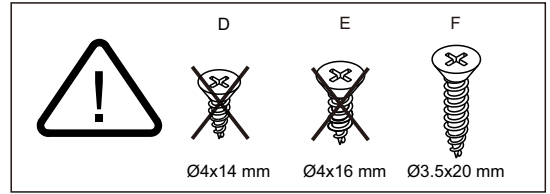
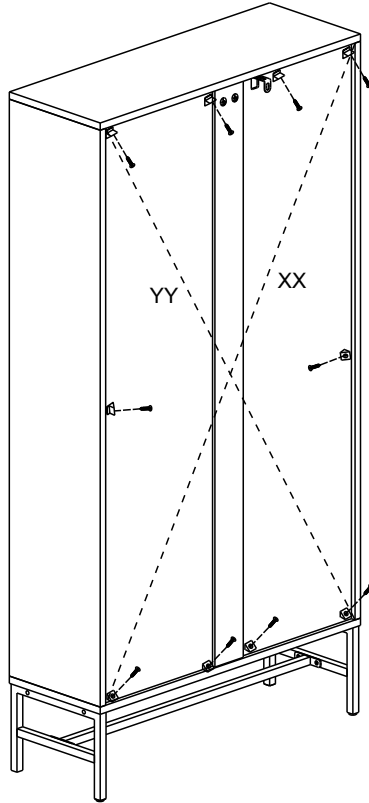
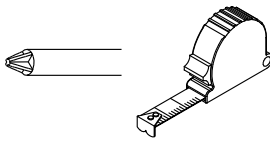
Gx4
Jx4



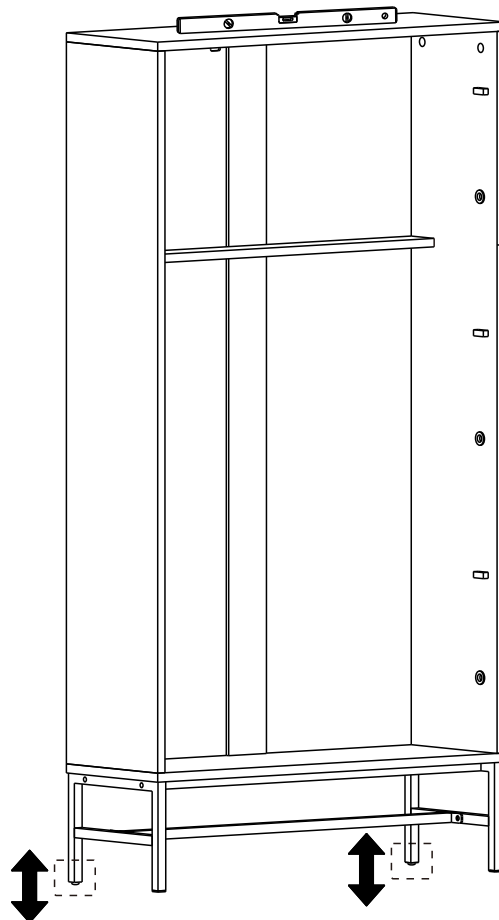
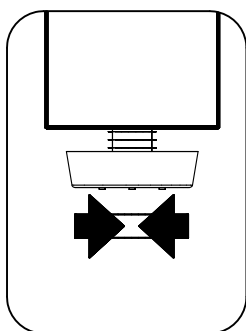
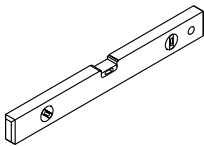
13



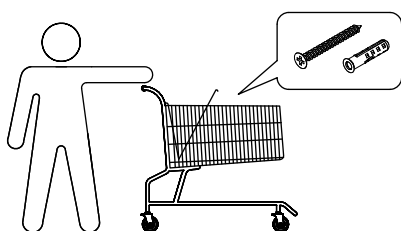
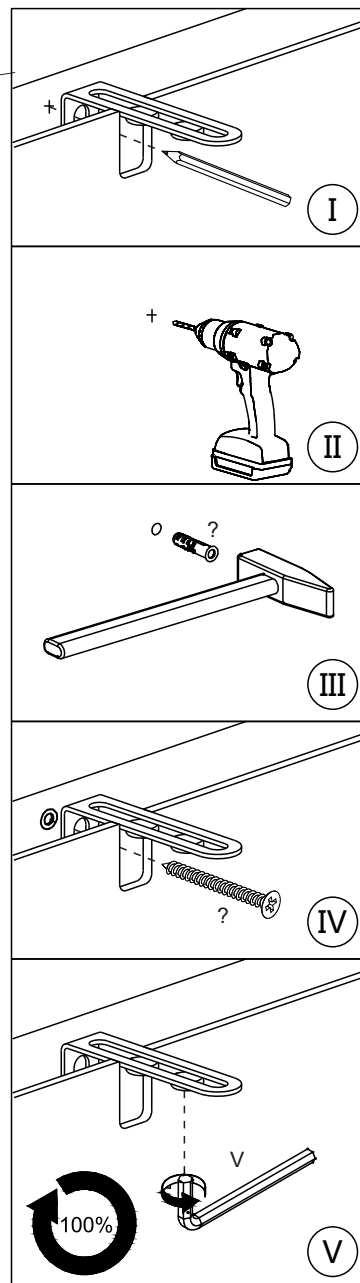
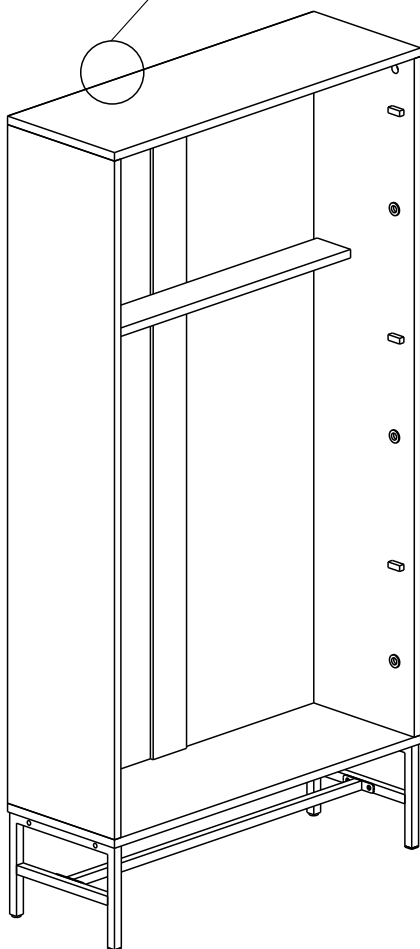
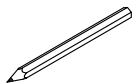
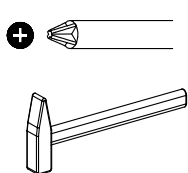
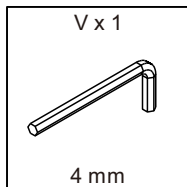
+



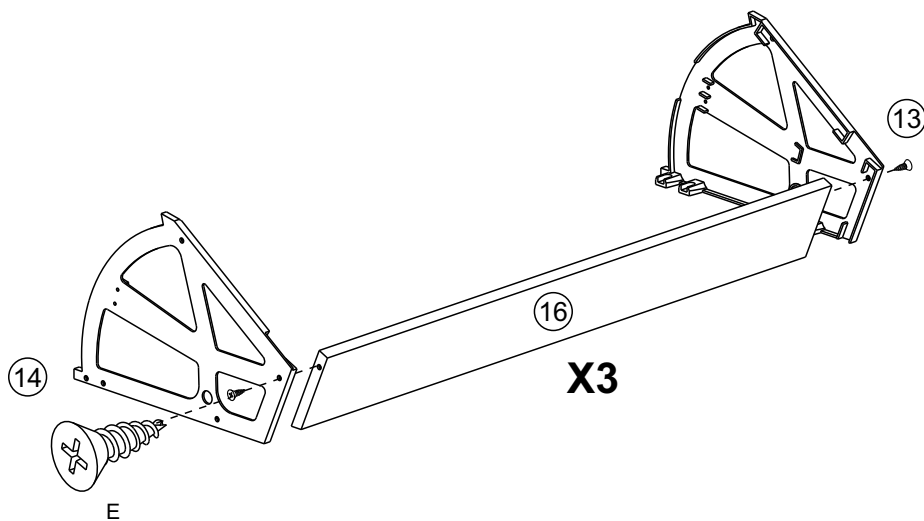
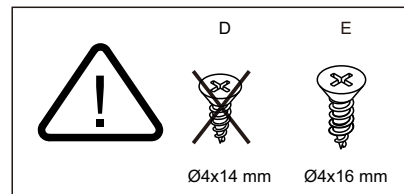
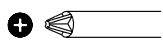
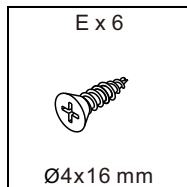
14



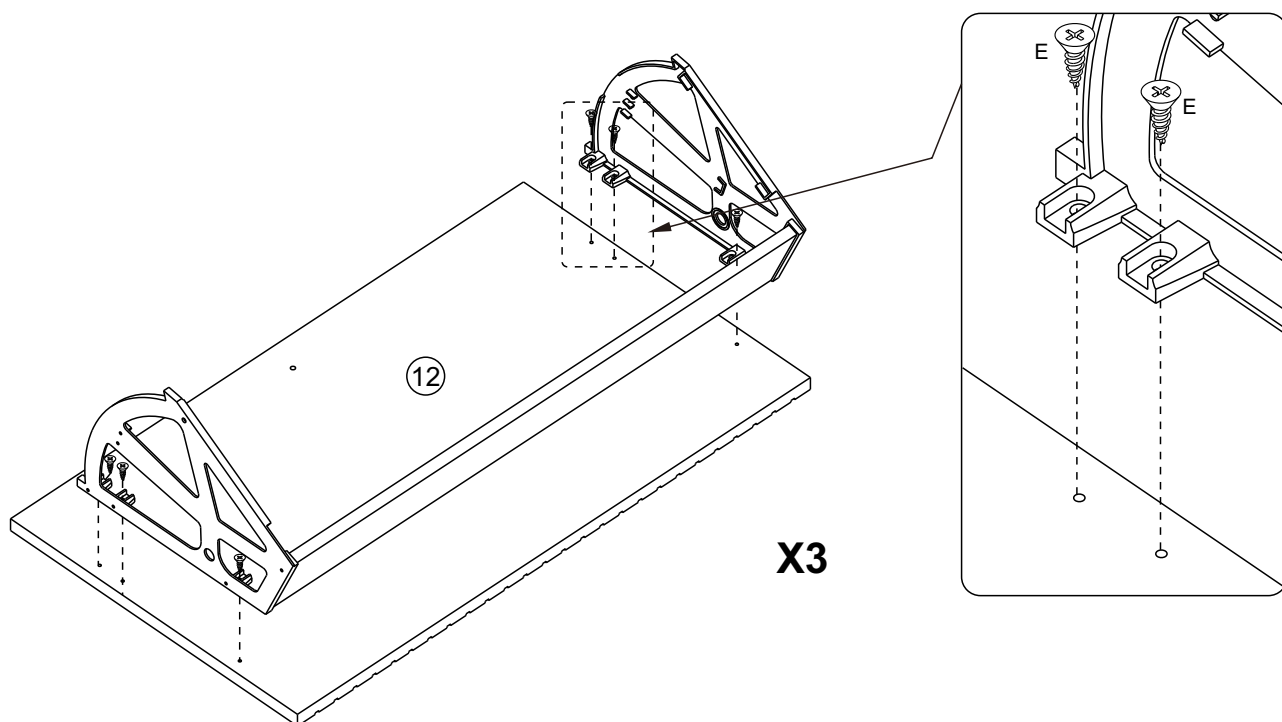
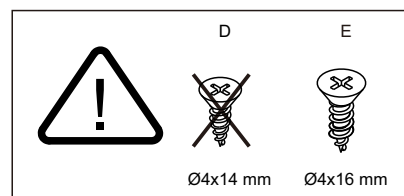
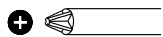
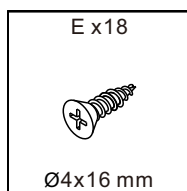
15



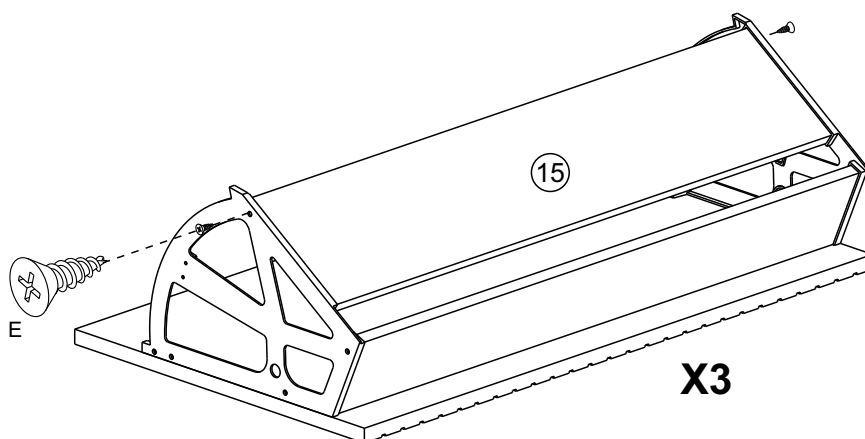
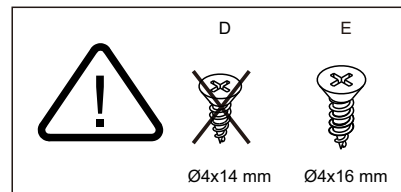
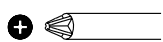
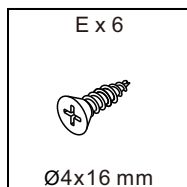
16



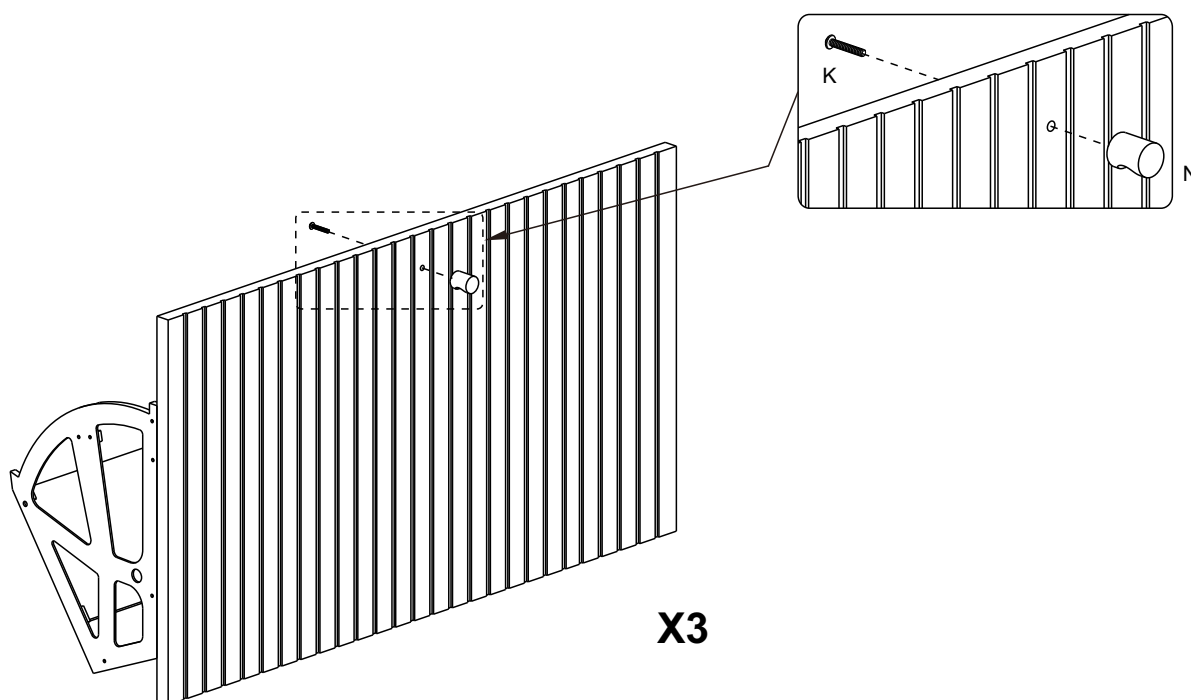
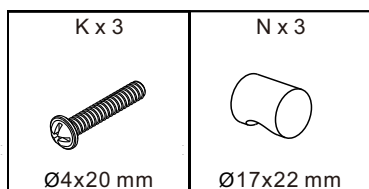
17



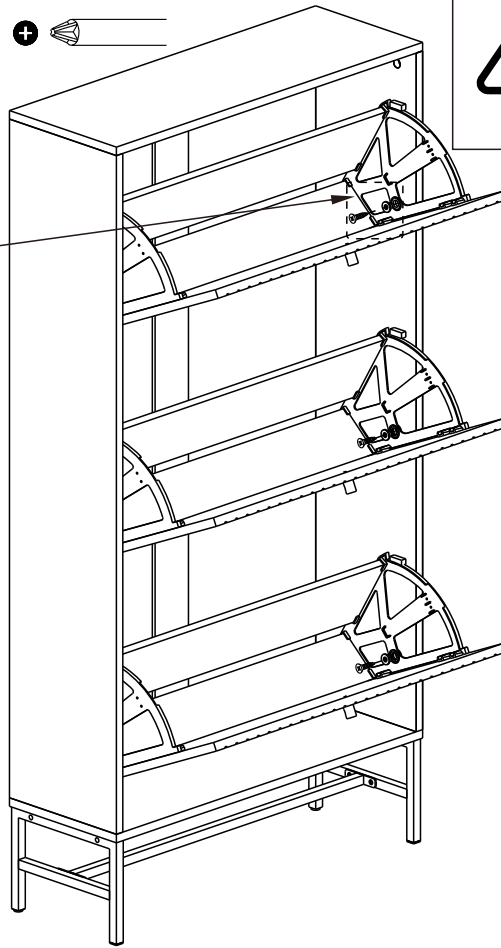
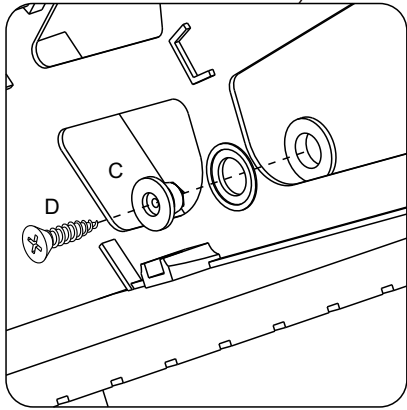
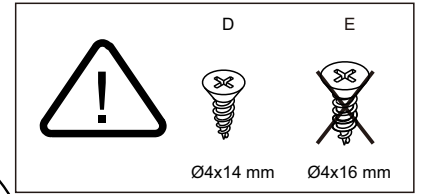
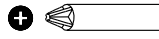
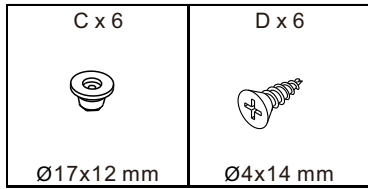
18



19



20



21

