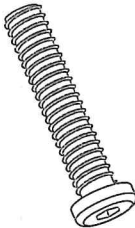

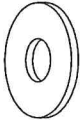
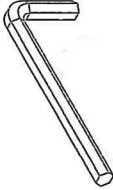



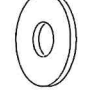

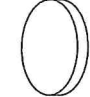
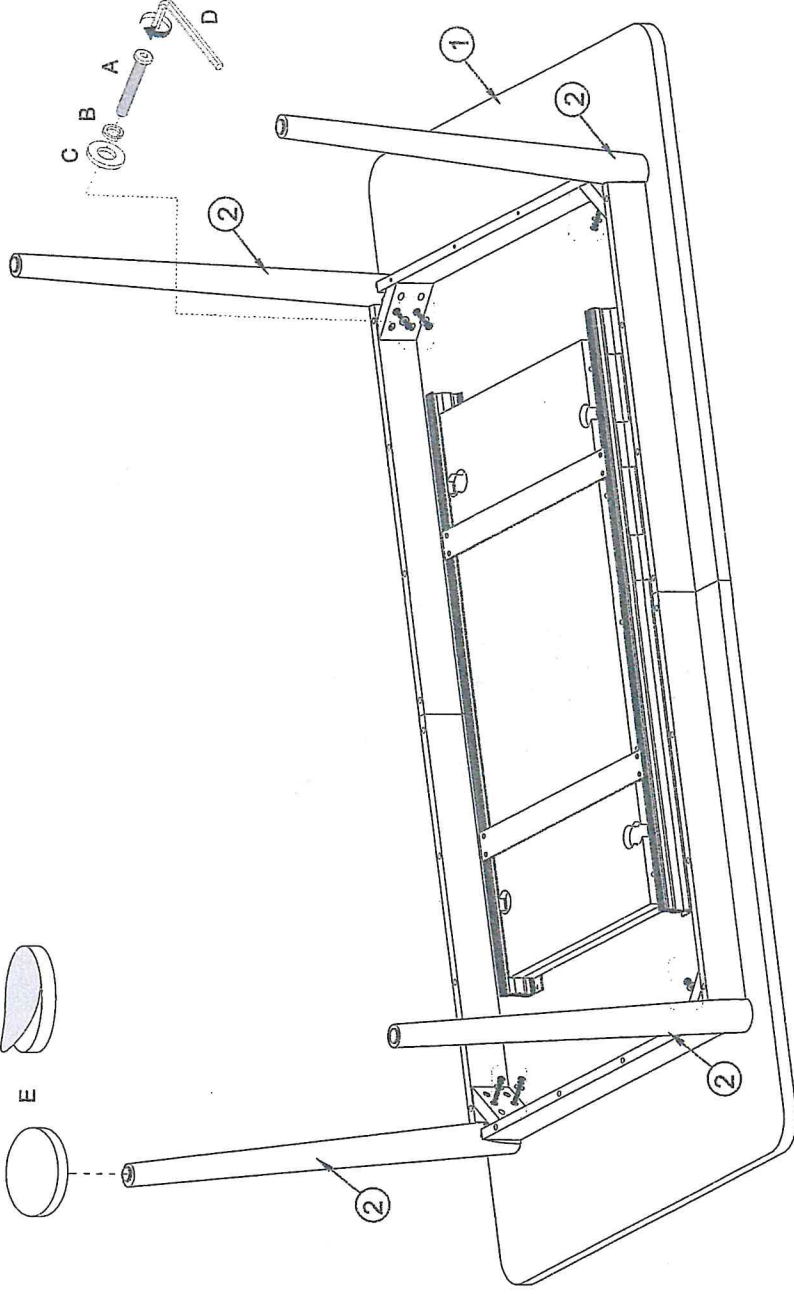
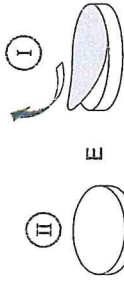


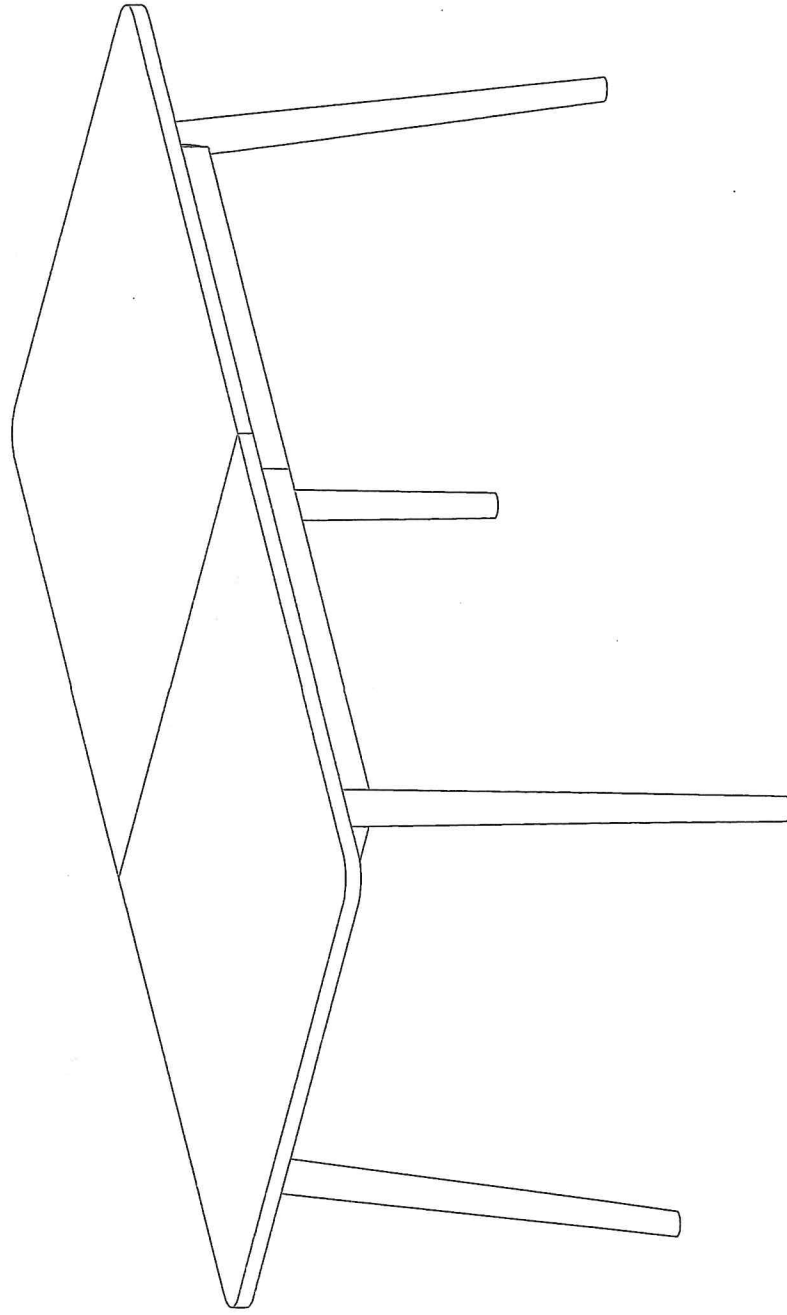
<b>A x 8</b>  <b>M8x70 mm</b>	<b>B x 8</b>  <b>Ø8 mm</b>	<b>C x 8</b>  <b>Ø8/Ø22 mm</b>	<b>D x 1</b>  <b>5 mm</b>	<b>E x 4</b>  <b>Ø35 mm</b>
--	---	---	--	--

# 1

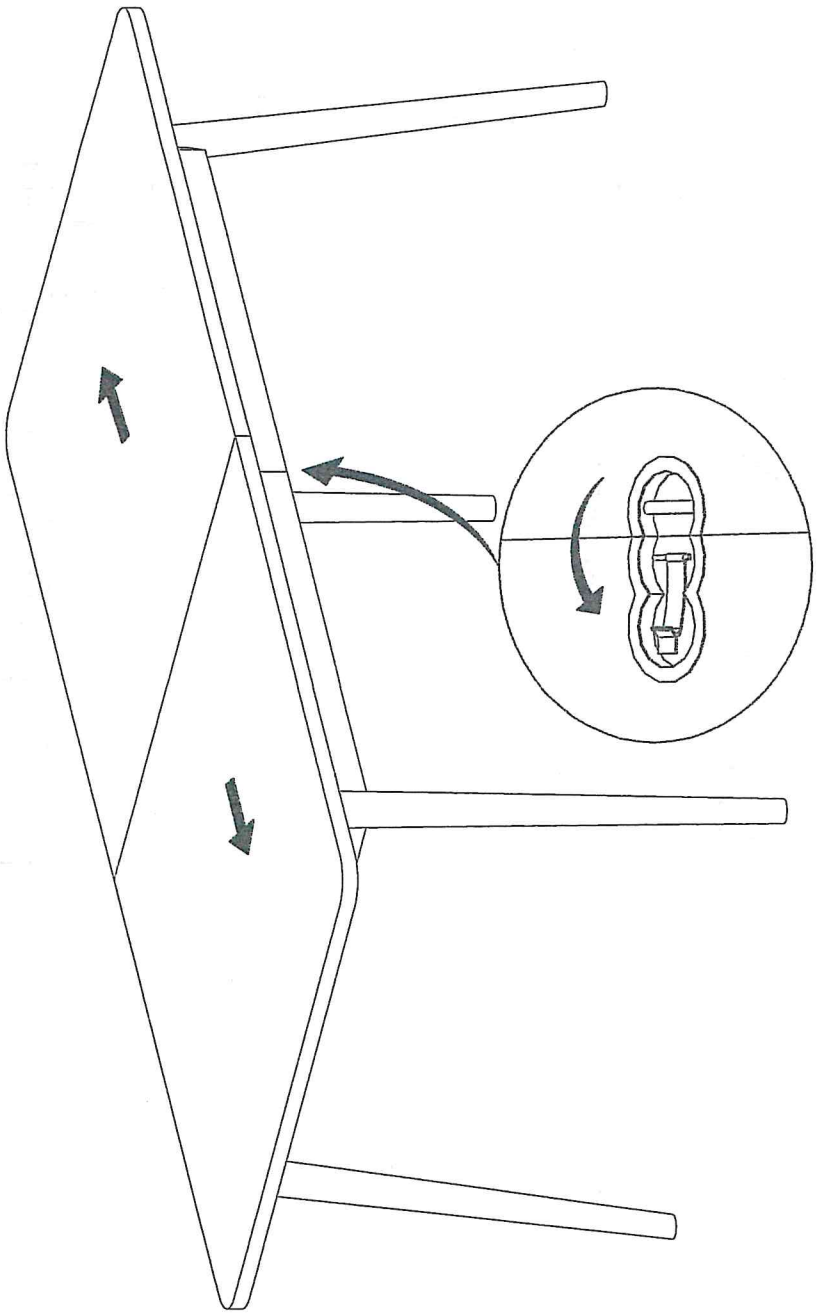
A x 8		M6x85 mm
B x 8		Ø8 mm
C x 8		Ø8/Ø22 mm
D x 1		4 mm
E x 4		Ø30 mm



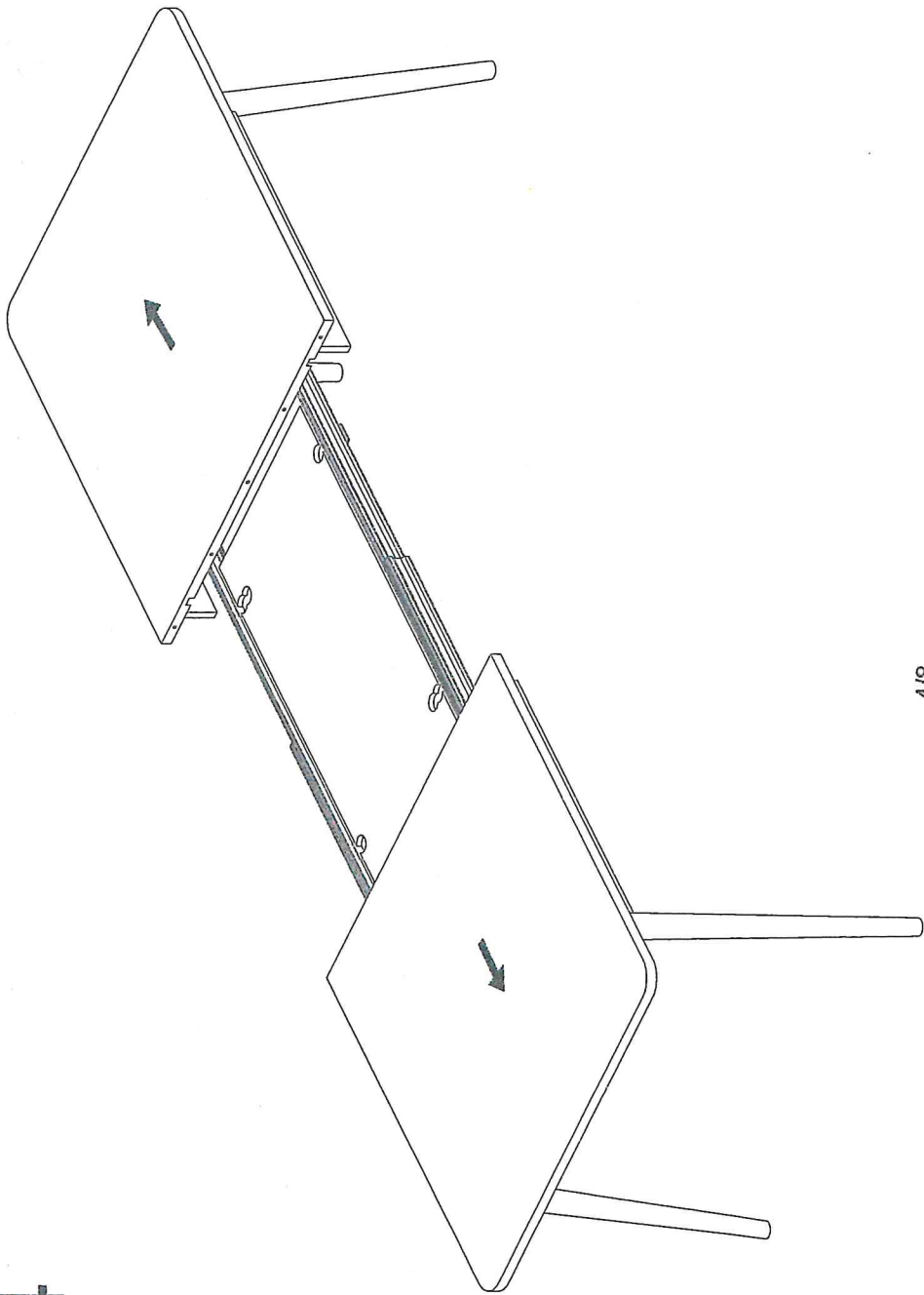
# 2



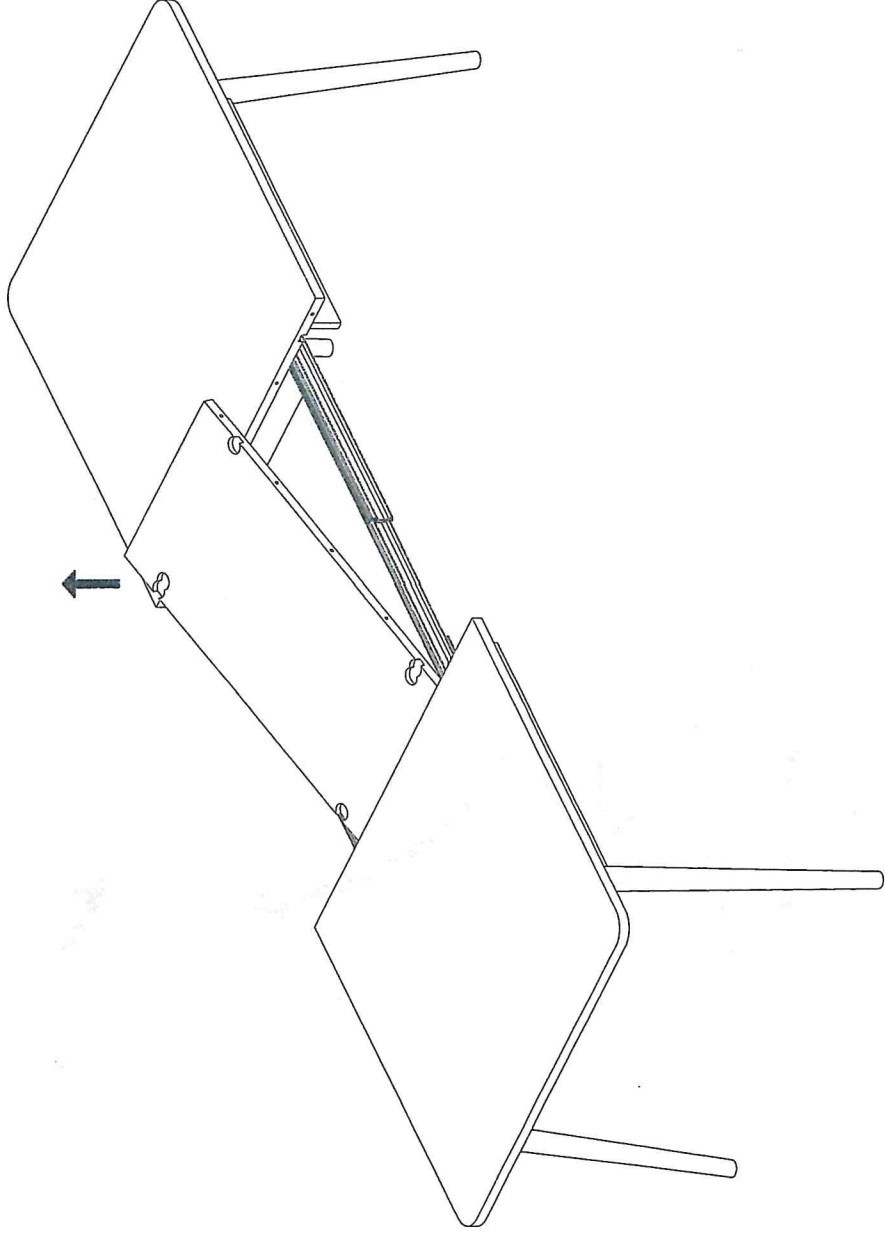
3



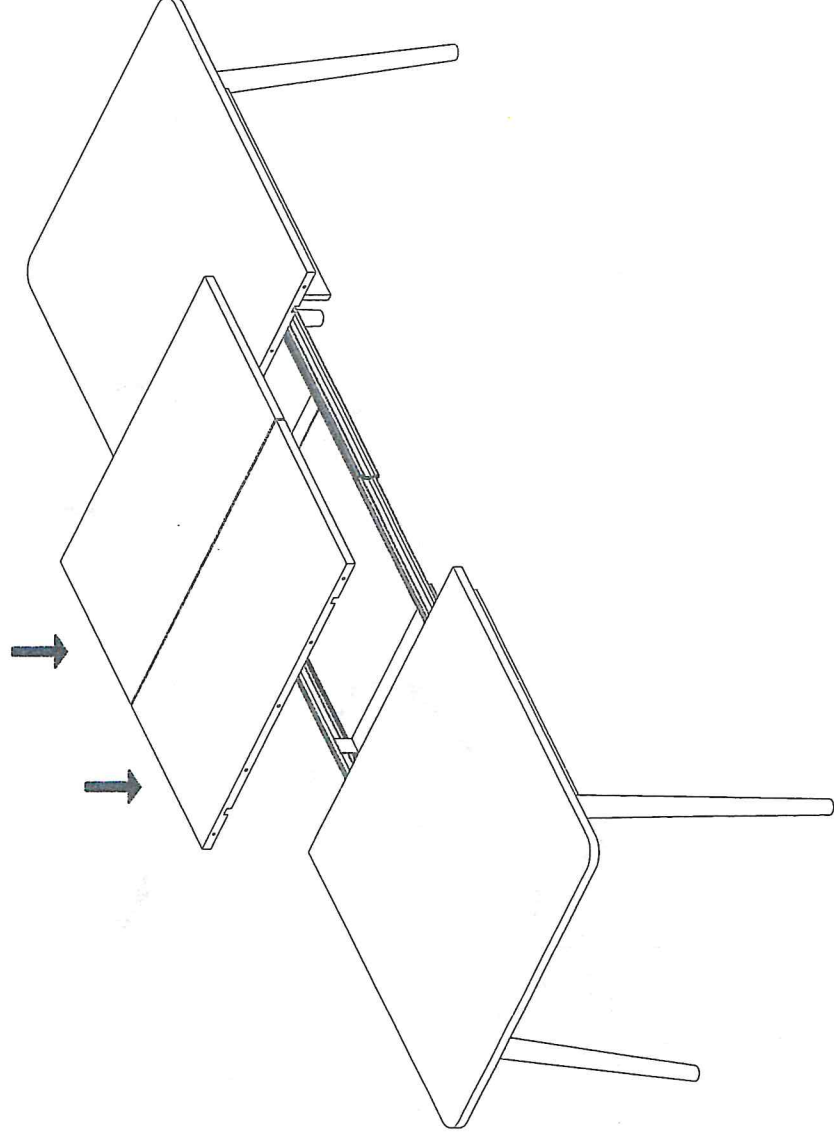
4



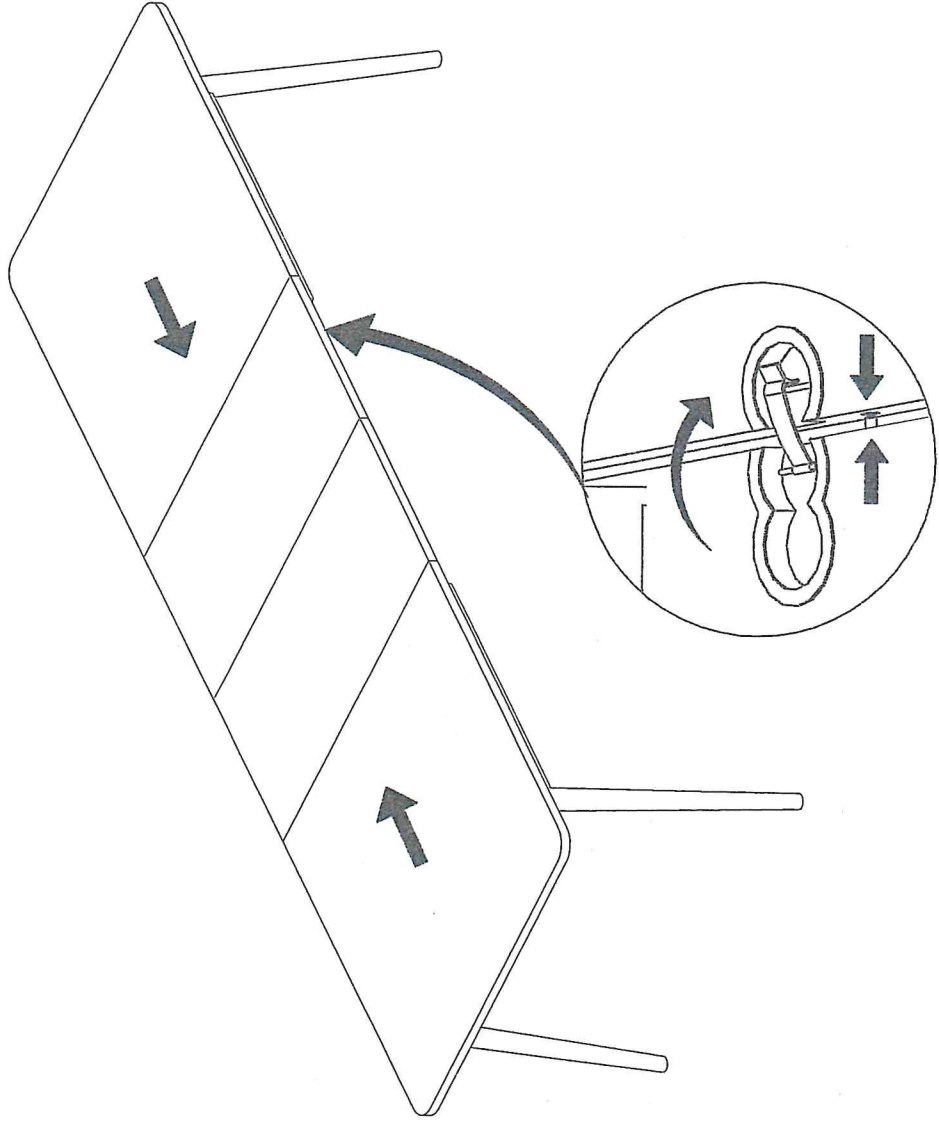
5



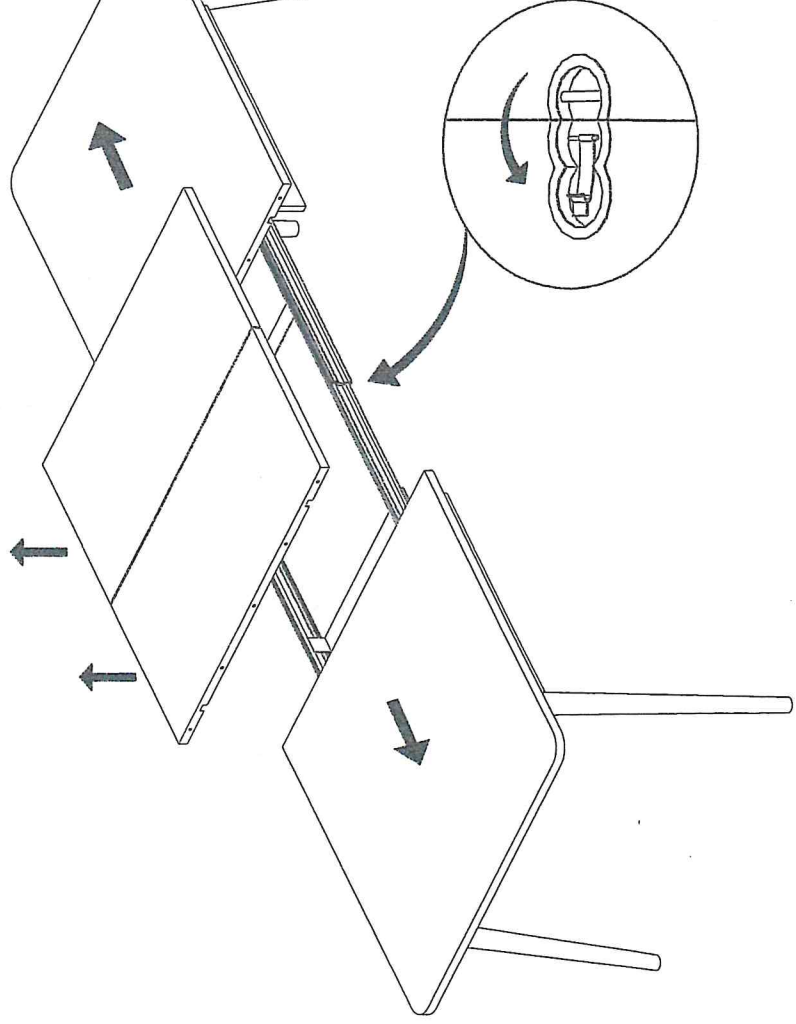
6



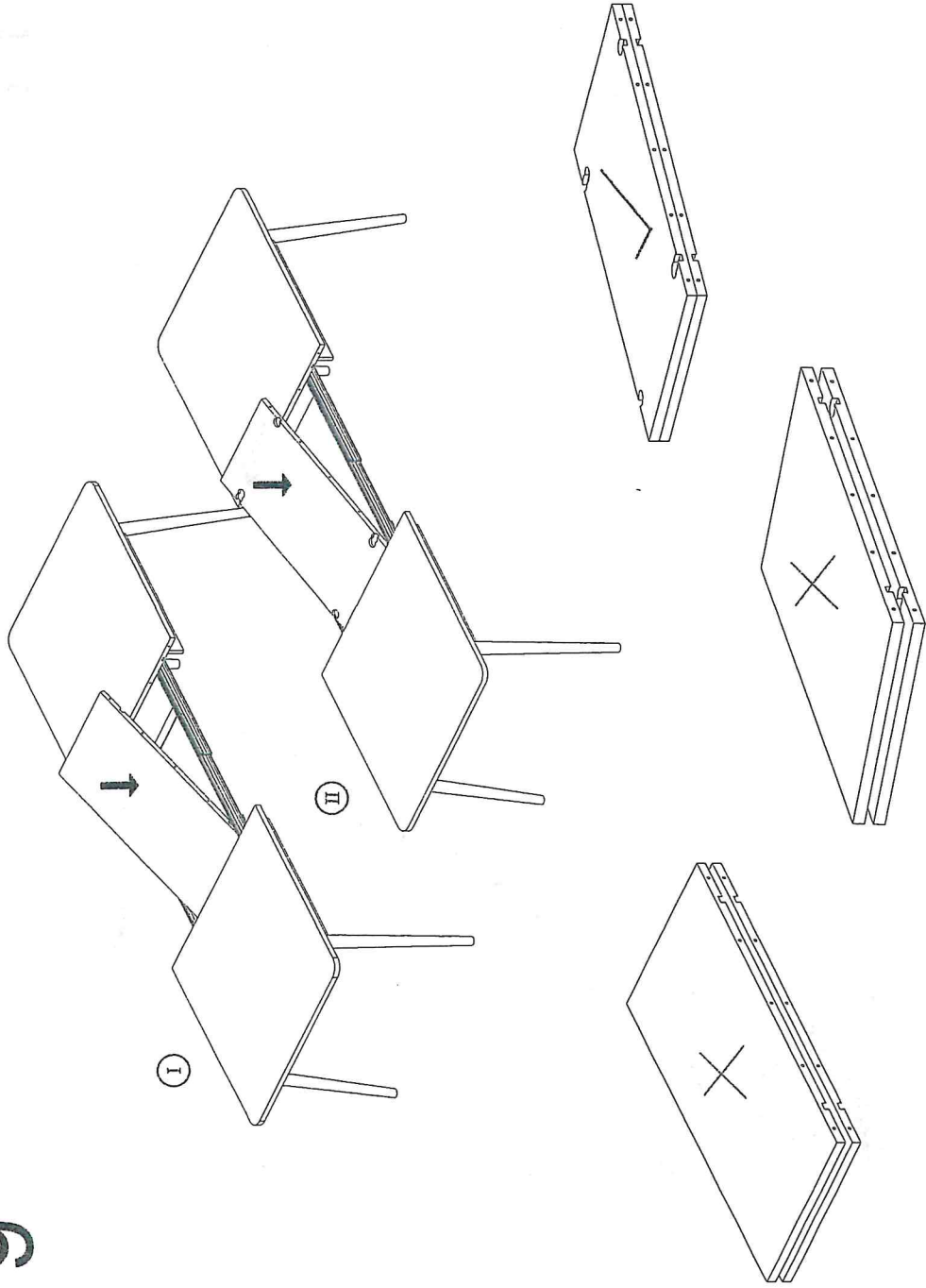
7



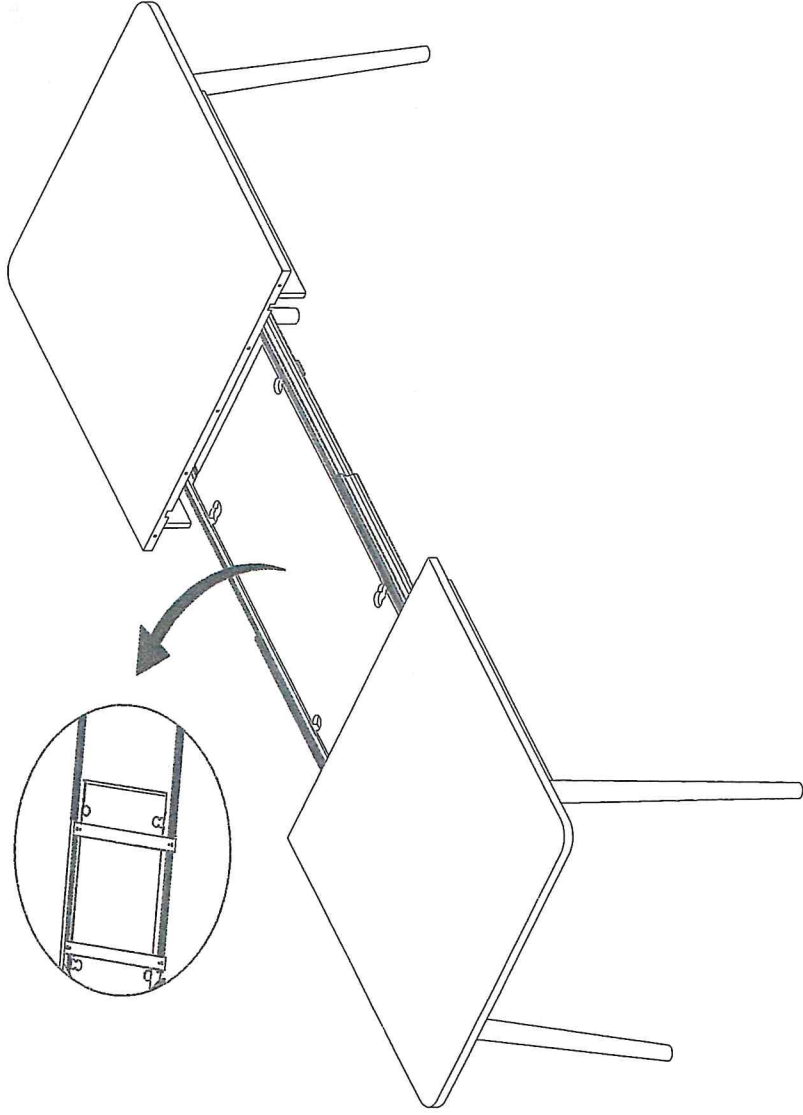
8



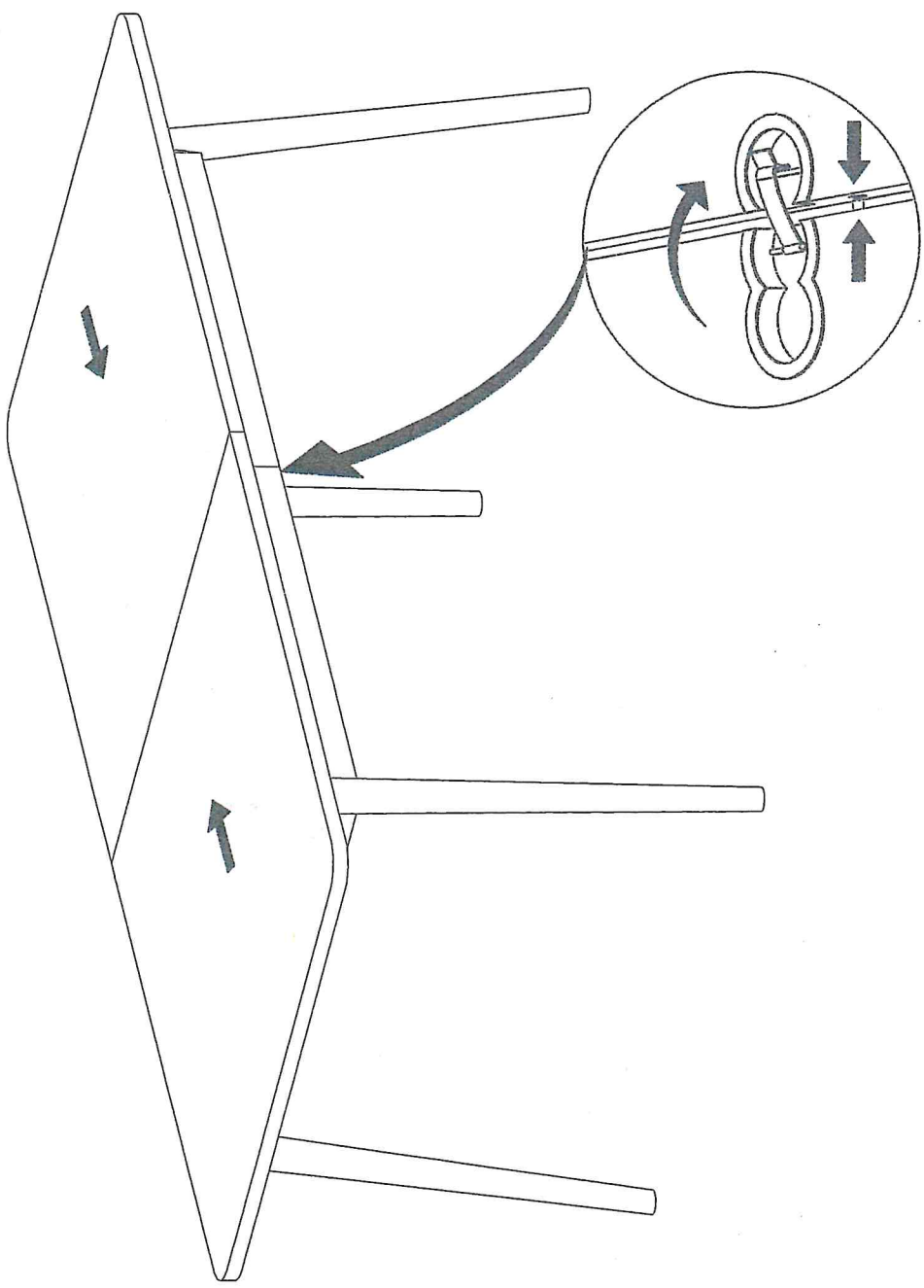
9



10



11



12

