

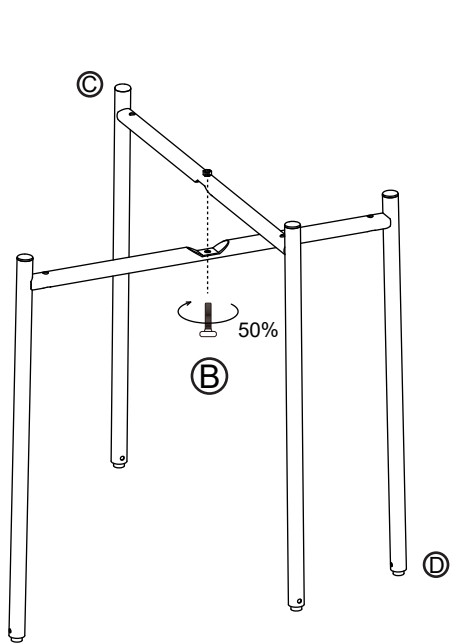
SIDE TABLE SPIKE

ZUIVER^o

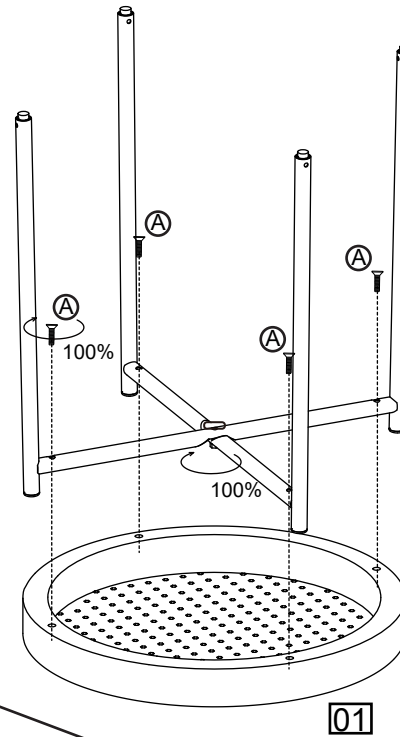
COMPONENT PARTS

FITTINGS

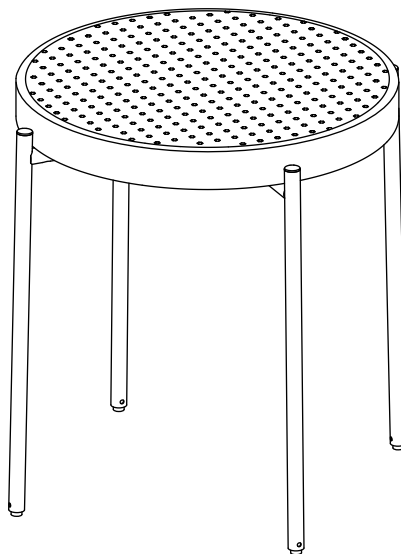
Step1



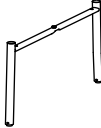
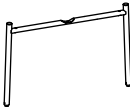


Step2



Step3



- Ⓐ  ×4
(M6×30mm)
- Ⓑ  ×1
(M6×30mm)
- Ⓒ  ×1
- Ⓓ  ×1

COMPONENT CHECKLIST

PART	No.	Qty.
Top	01	1 <input type="checkbox"/>

TOOLS REQUIRED



Allen Key(supplied)



Spanner(supplied)