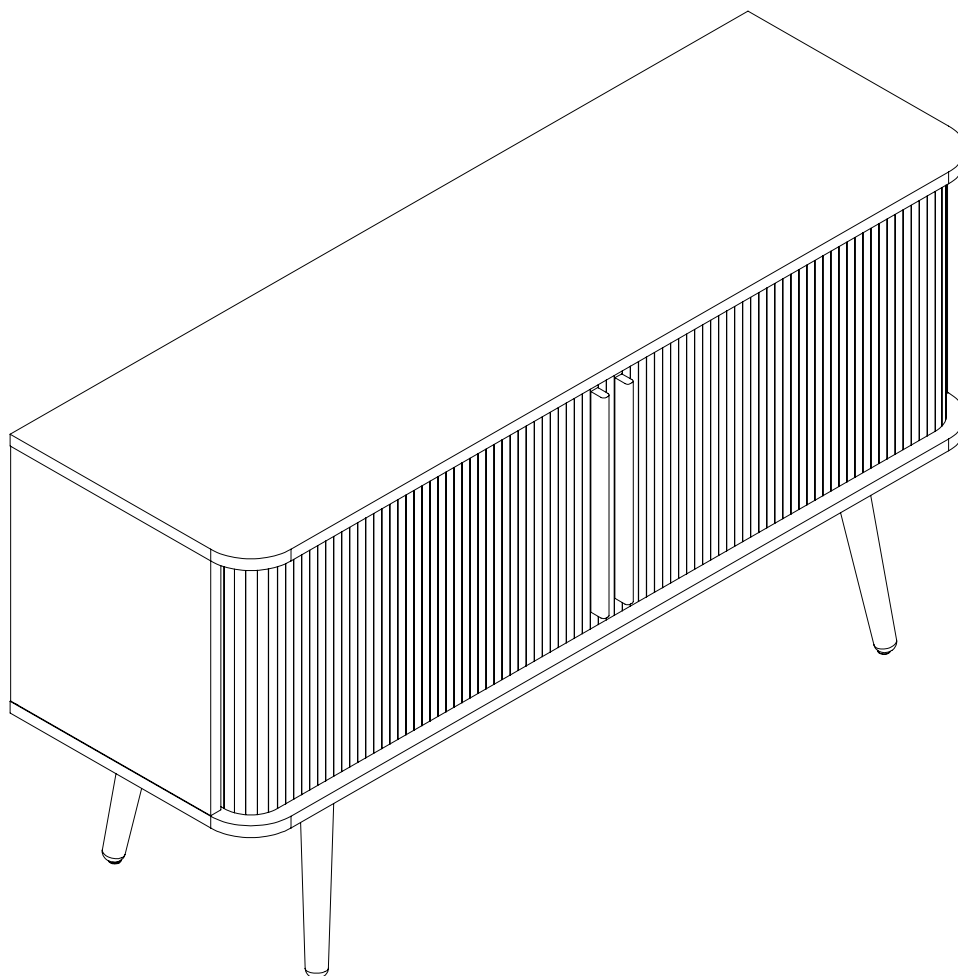


Assembly Instruction



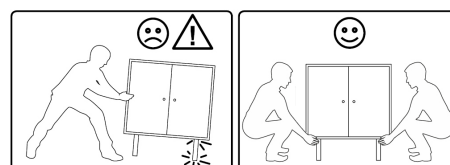
1380x450x750

Batch code:



Woodman OÜ

Made in Estonia
Mäo, Järvamaa
www.woodman.ee
support@woodman.ee



Dear Customer

Congratulations on your new purchase. Follow this advice and get the best result when assembling the product.

Read the instruction carefully before you start

Get help, If two persons are required for assembly

Make sure, you have all parts on the total material list

Work on a soft, flat surface to avoid any damage to the finish

Follow the assembly instruction

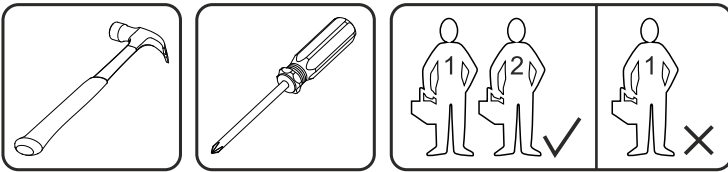
Tighten the furniture joints after a month

Keep the assembly instruction

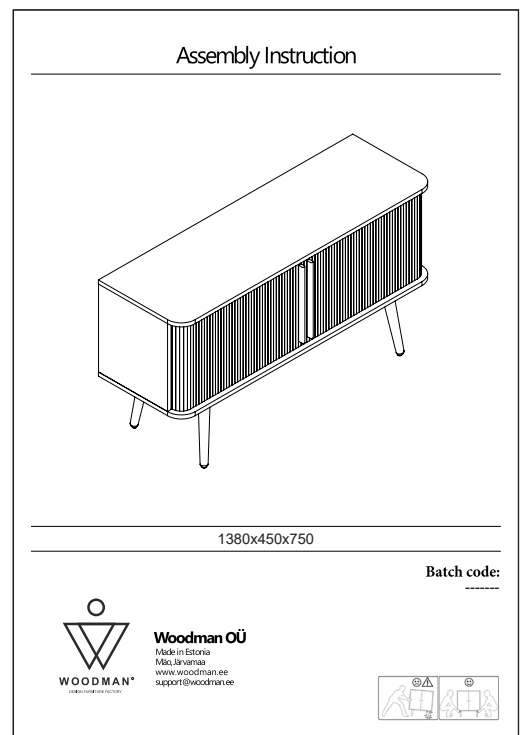
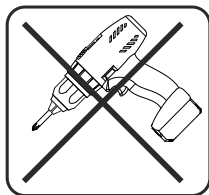
Allocate time

Some furniture can be assembled in minutes. Others - e.g. products in several parts - can take more than an hour to finish. Make sure to allocate good time or divide up the work.

Tools needed



Don't use!!!



ENG - In case of any quality issues, contact your local dealer and always mention item Batch code.

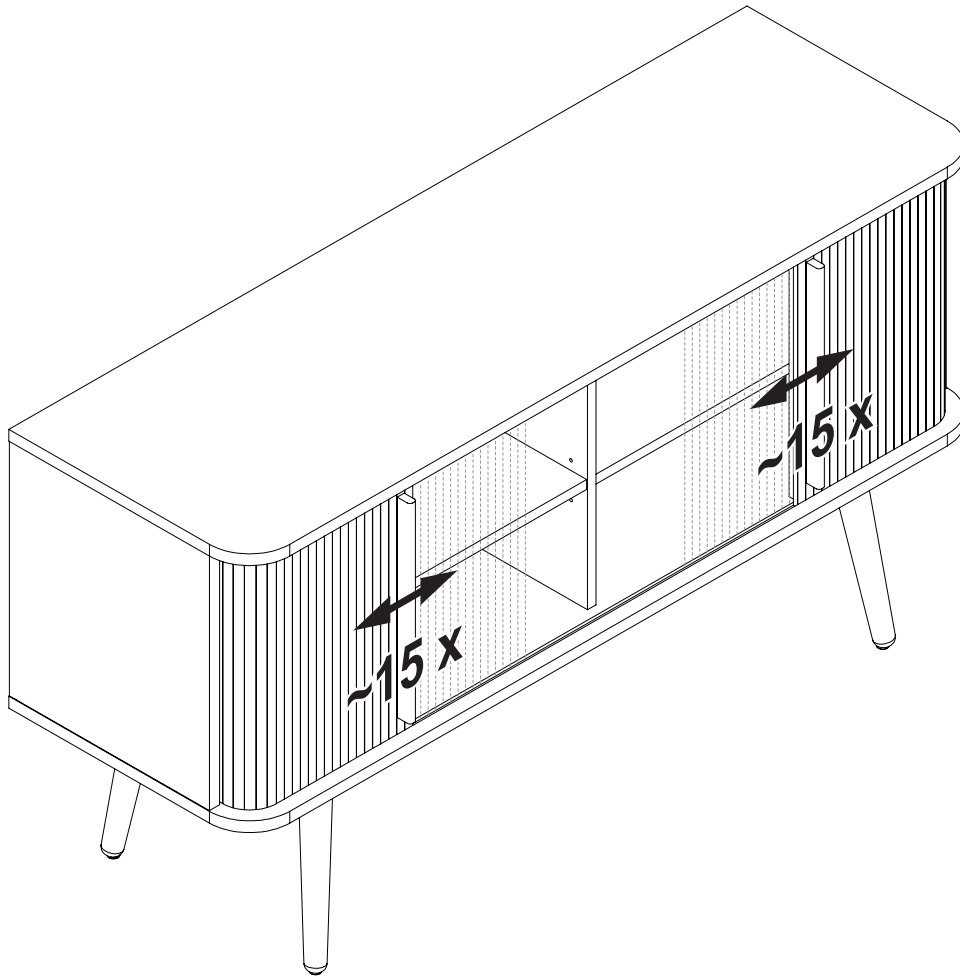
FR - En cas de problèmes de qualité, contactez votre revendeur local et mentionnez toujours la référence de l'article / Batch code.

IT - In caso di eventuali problemi di qualità, contattare il rivenditore locale e citare sempre punto di riferimento No / Batch code.

ES - En caso de problemas de calidad, póngase en contacto con su distribuidor local y mencione siempre la referencia del artículo / Batch code.

DE - Wenn Sie Qualitätsprobleme haben wenden Sie sich bitte an ihren örtlichen Händler und erwähnen Sie immer die Artikelnummer / Batch code.

Doors unjamming



*Doors should be worked in before using

- Move doors back and forth 15x before attaching knobs

Maintanace:

- Rub candlewax or paraffin wax on the bottom of the groove
- Move doors back and forth 15x

*Les portes doivent être travaillées avant utilisation

- Déplacez les portes d'avant en arrière 15x avant de fixer les boutons

Maintanace:

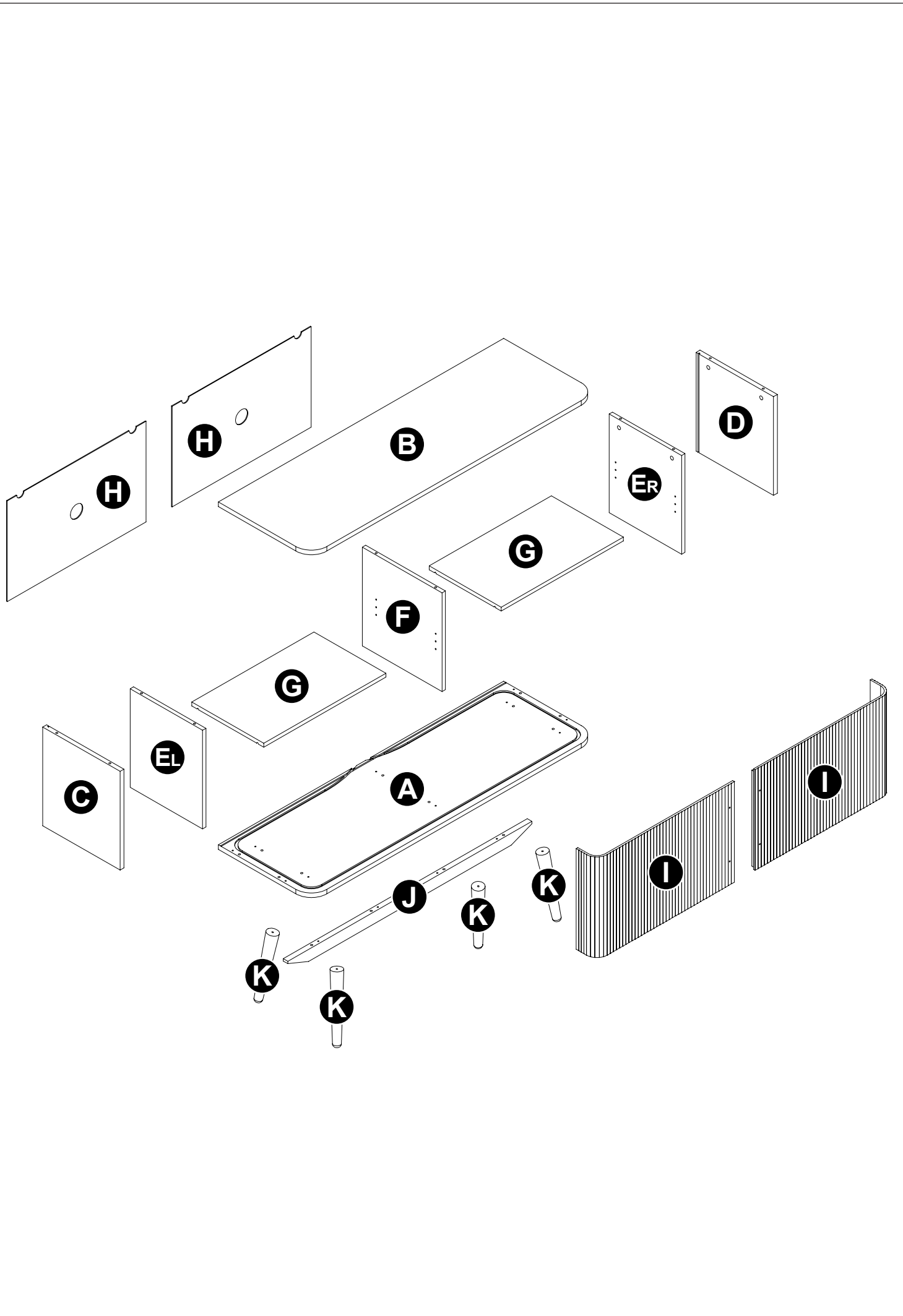
- Frottez la cire de bougie ou la cire de paraffine au fond de la rainure
- Déplacez les portes d'avant en arrière 15x

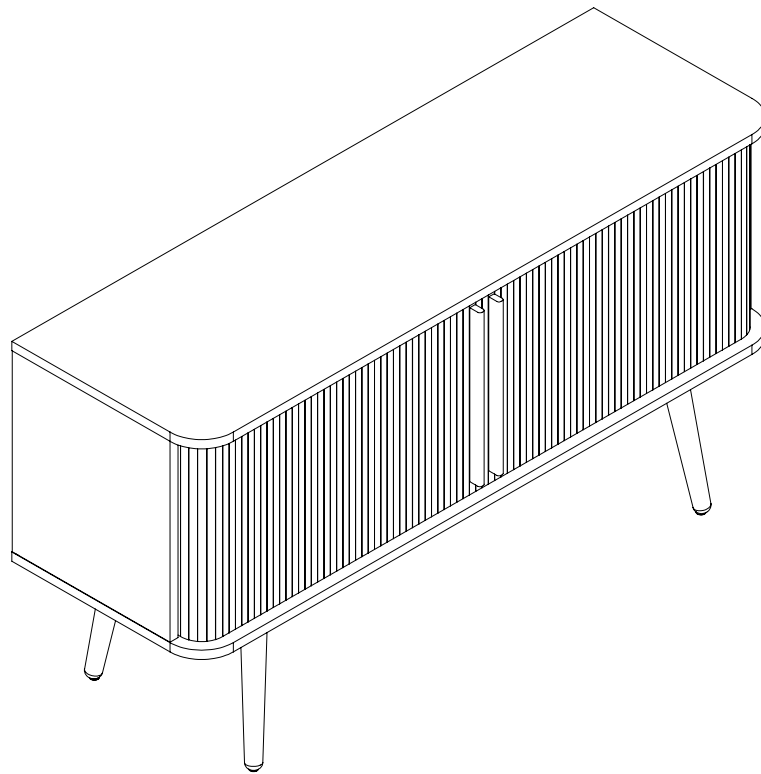
*Las puertas deben trabajarse antes de usar

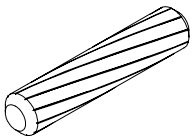
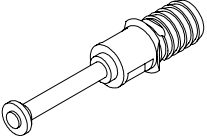
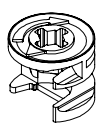
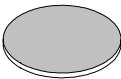
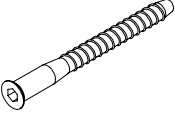
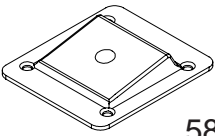
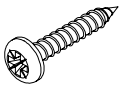
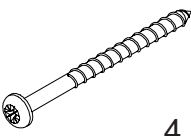

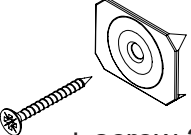
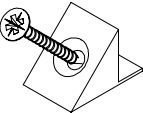
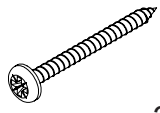
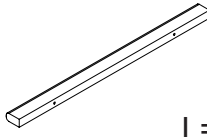
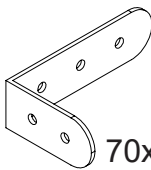
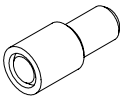
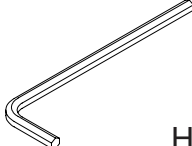
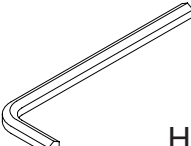
- Mueva las puertas hacia adelante y hacia atrás 15x antes de colocar las perillas

Mantenimiento:

- Frotar cera de vela o cera de parafina en la parte inferior de la ranura
- Mueva las puertas hacia adelante y hacia atrás 15x



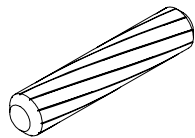


<p>A1</p>  <p>x14</p> <p>8x40 mm</p>	<p>A2</p>  <p>x10</p> <p>34 mm</p>	<p>A3</p>  <p>x10</p> <p>15 mm</p>
<p>A4</p>  <p>x6</p> <p>20 mm</p>	<p>A5</p>  <p>x10</p> <p>5x50 mm</p>	<p>A6</p>  <p>x4</p> <p>58x66 mm</p>
<p>A7</p>  <p>x18</p> <p>3,5x16 mm</p>	<p>A8</p>  <p>x4</p> <p>4,5x50 mm</p>	<p>A9</p>  <p>x4</p> <p>17 mm</p>
<p>A10</p>  <p>x4</p> <p>+ screw 3x20 mm</p>	<p>A11</p>  <p>x12</p> <p>+ screw 3x20 mm</p>	<p>A12</p>  <p>x4</p> <p>3,5x25 mm</p>
<p>A13</p>  <p>x2</p> <p>L=356 mm</p>	<p>A14</p>  <p>x1</p> <p>70x42x20 mm</p>	<p>A15</p>  <p>x8</p> <p>5 mm</p>
<p>A16</p>  <p>x1</p> <p>HEX 3 mm</p>	<p>A17</p>  <p>x1</p> <p>HEX 4 mm</p>	

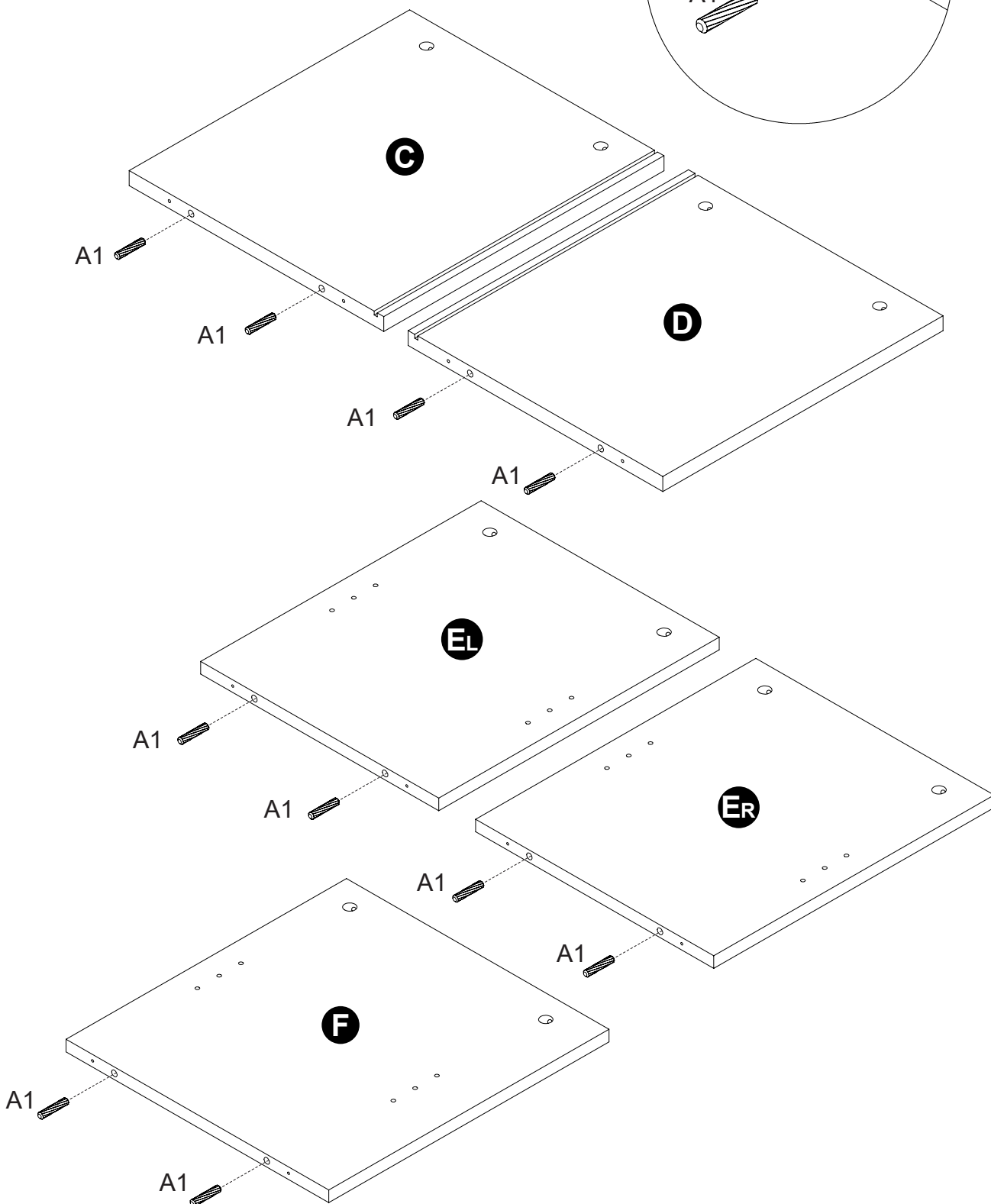
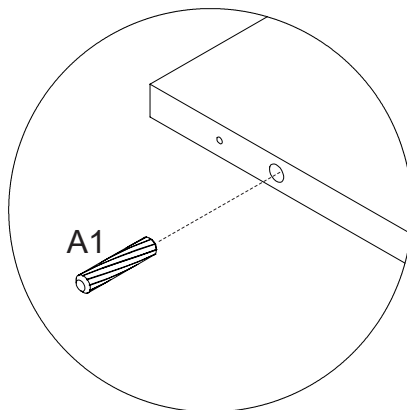
1

A1

x14



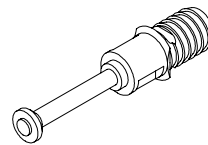
8x40 mm



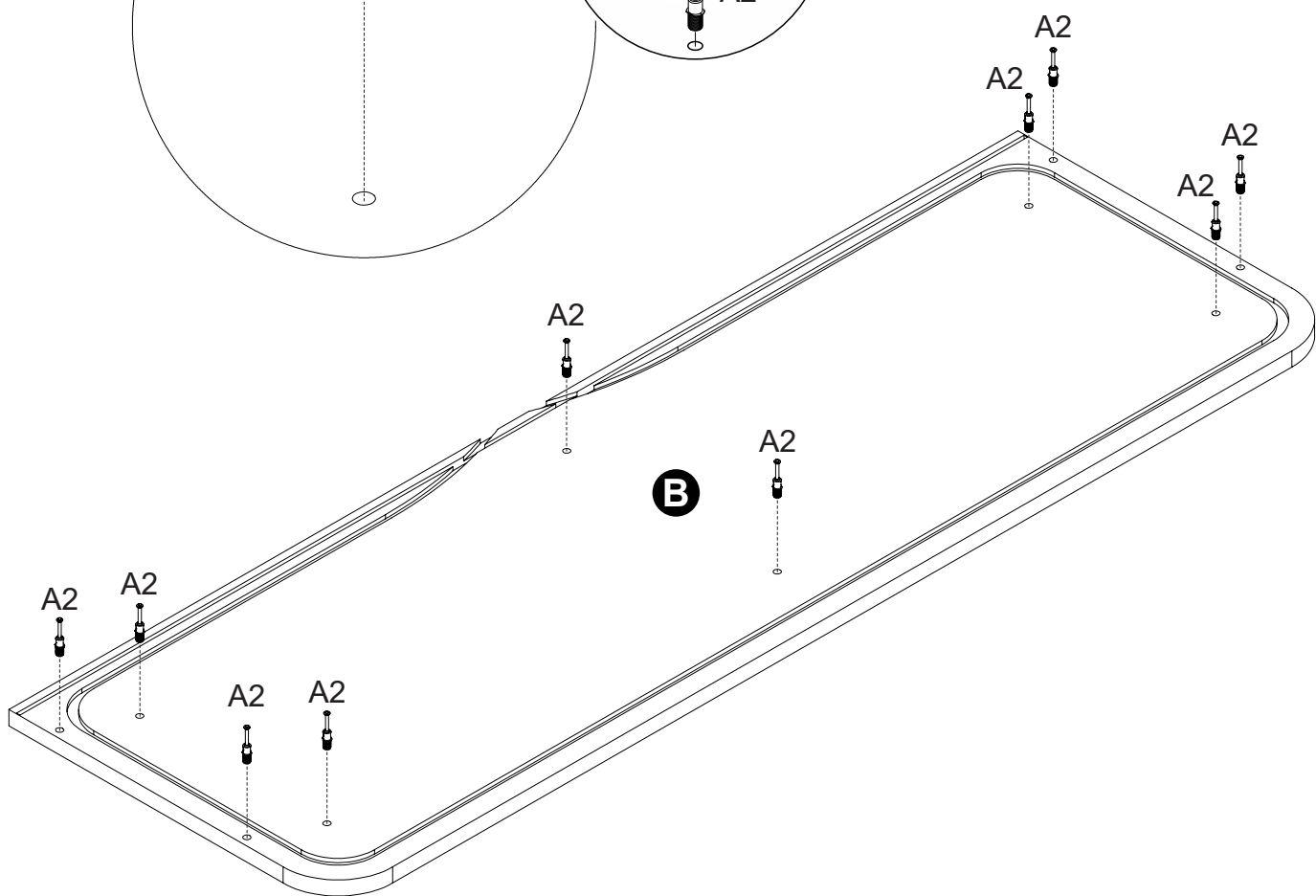
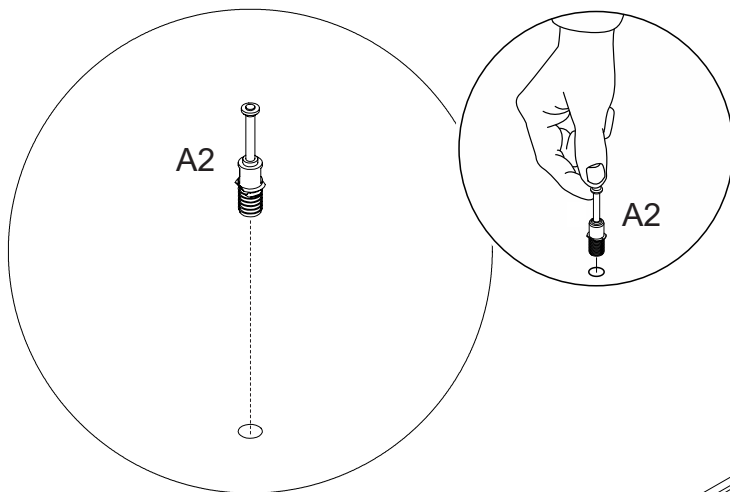
2

A2

x10

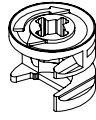


34 mm



3

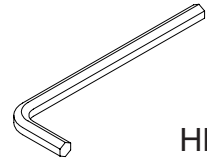
A3



x4

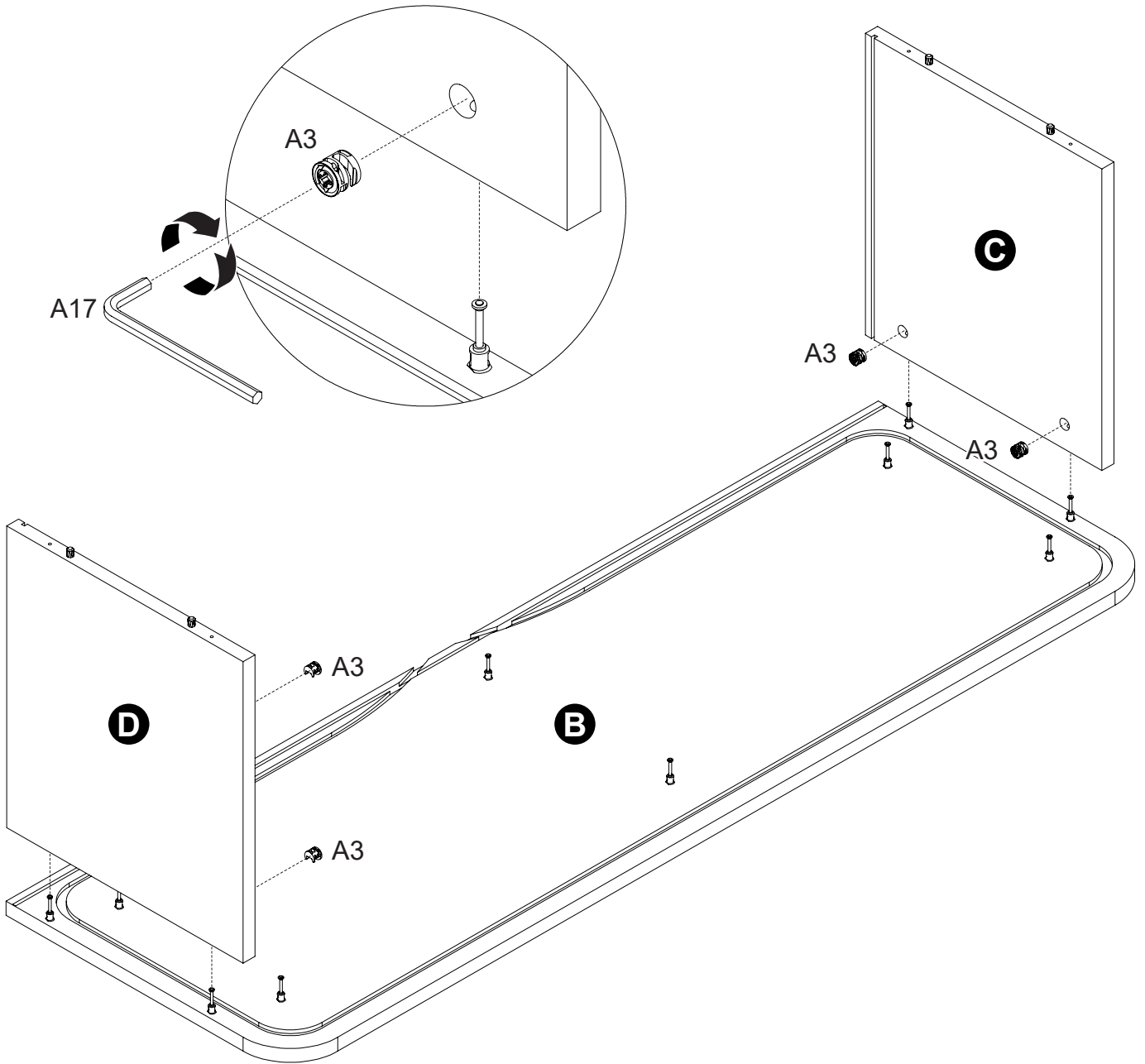
15 mm

A17



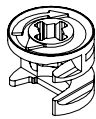
x1

HEX 4 mm



4

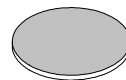
A3



x6

15 mm

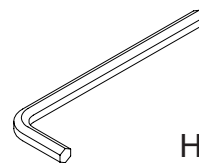
A4



x6

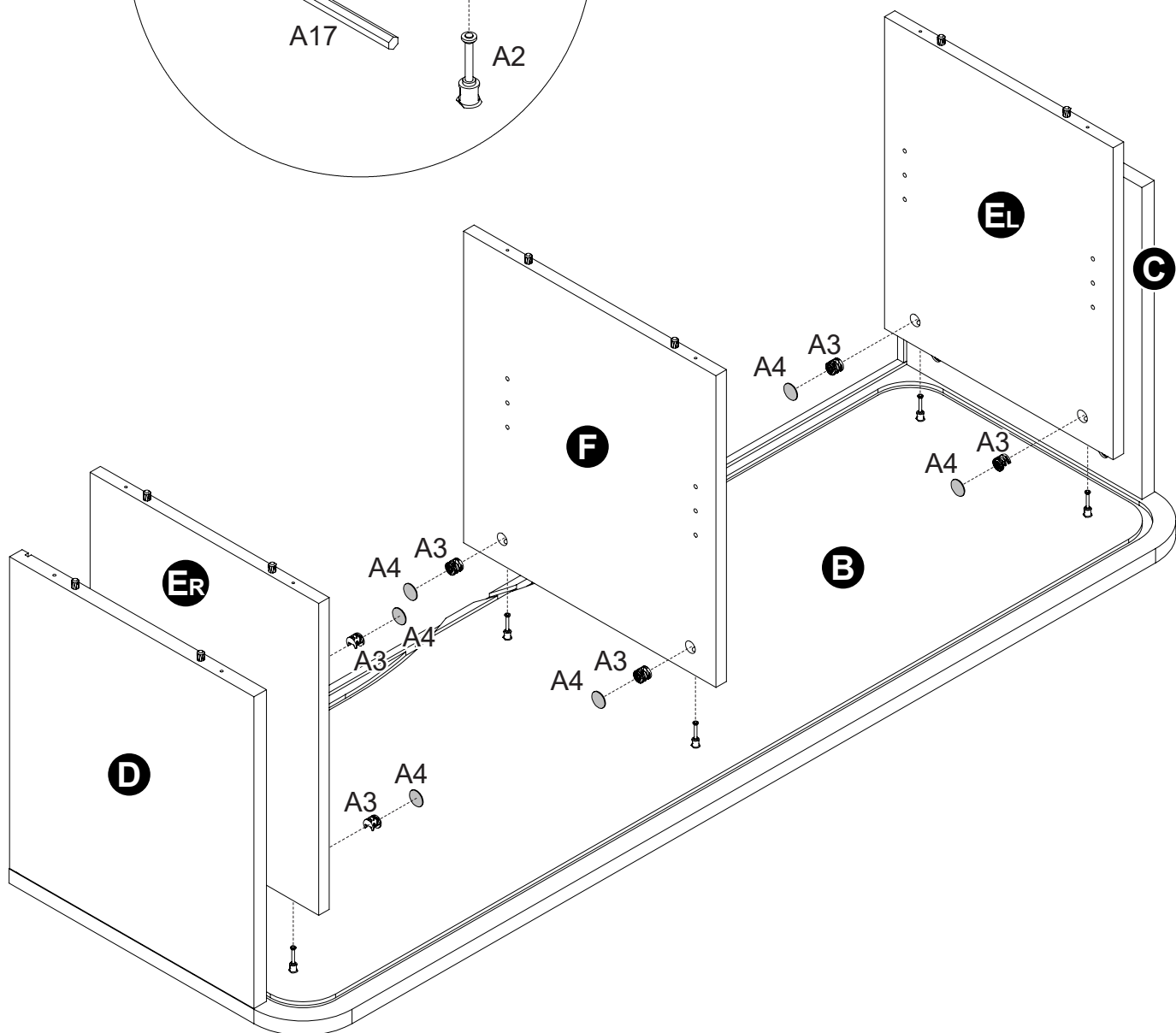
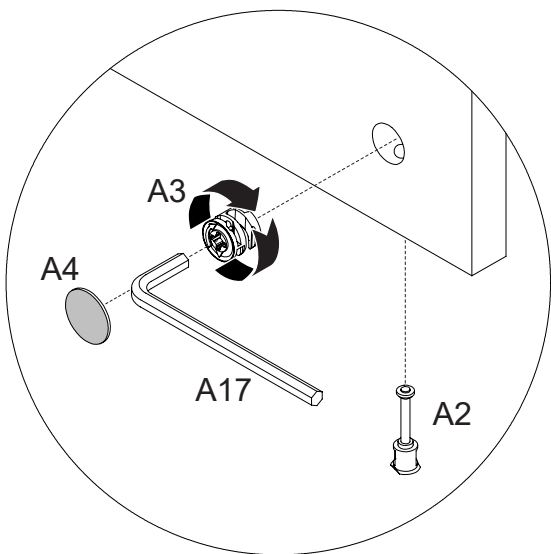
20 mm

A17



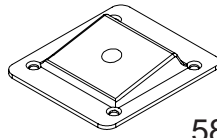
x1

HEX 4 mm



5

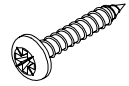
A6



x4

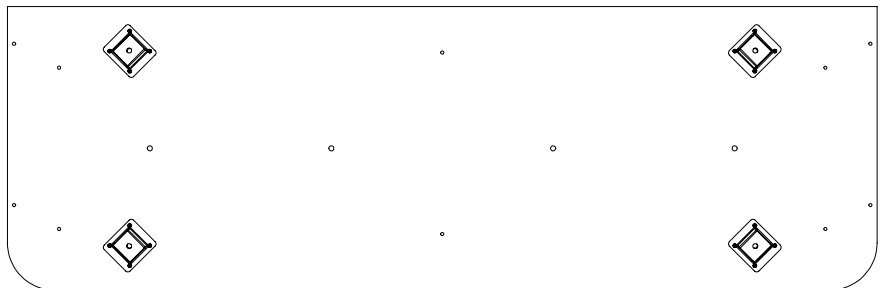
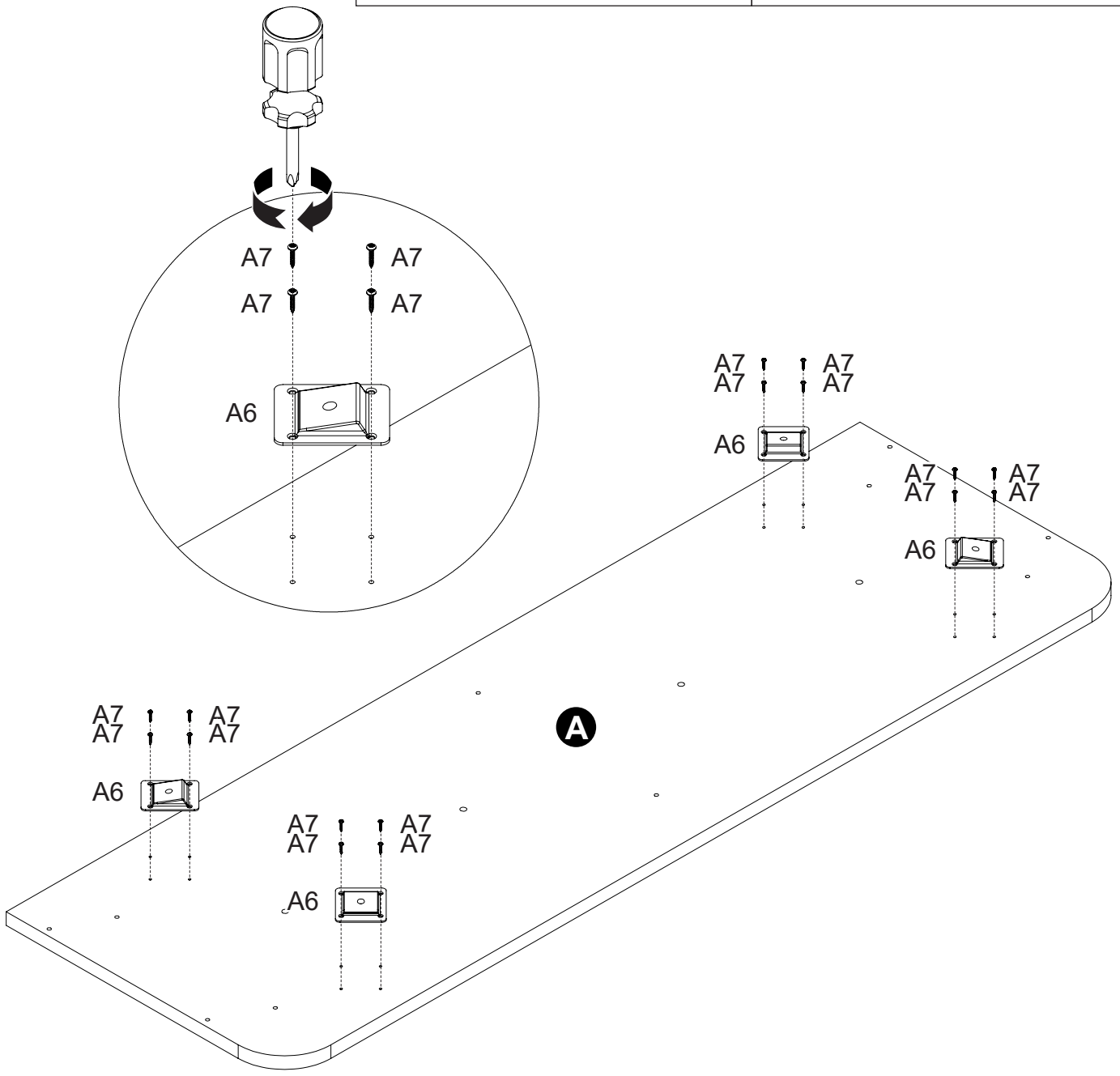
58x66 mm

A7



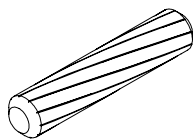
x16

3,5x16 mm



6

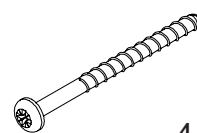
A1



x4

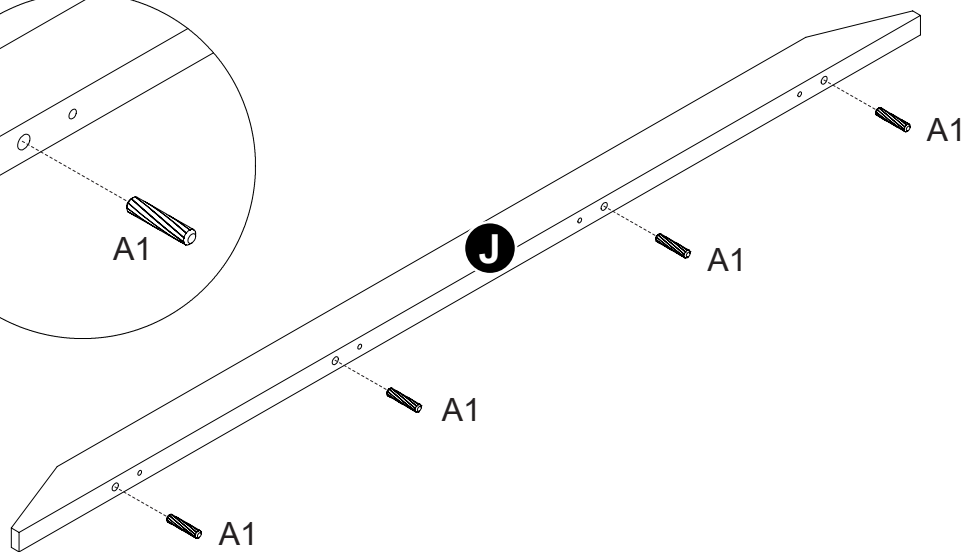
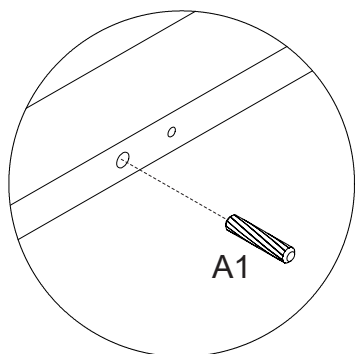
8x40 mm

A8

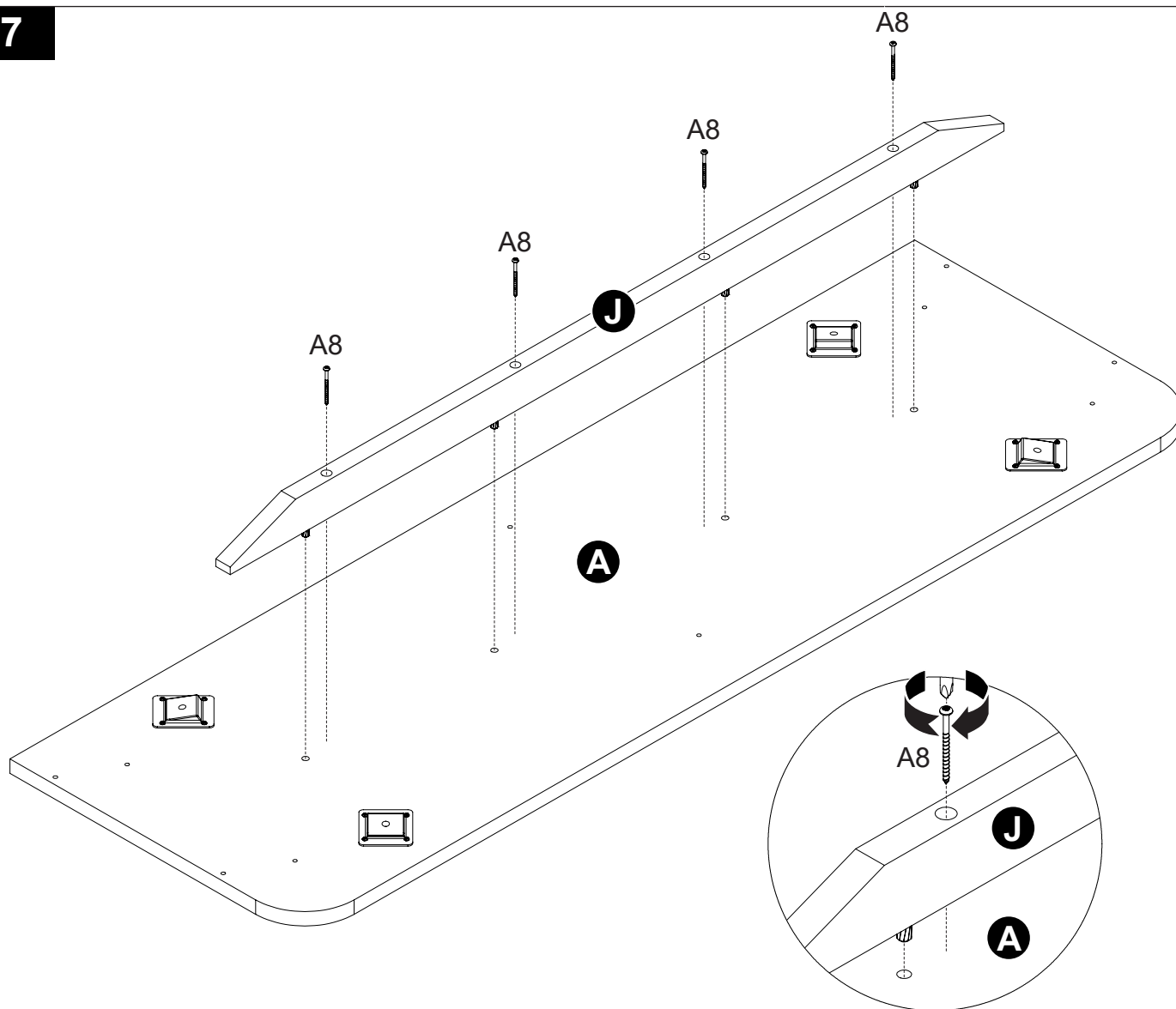


x4

4,5x50 mm



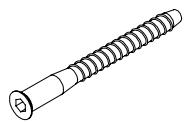
7



8

A5

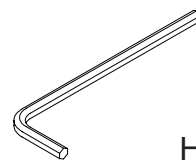
x10



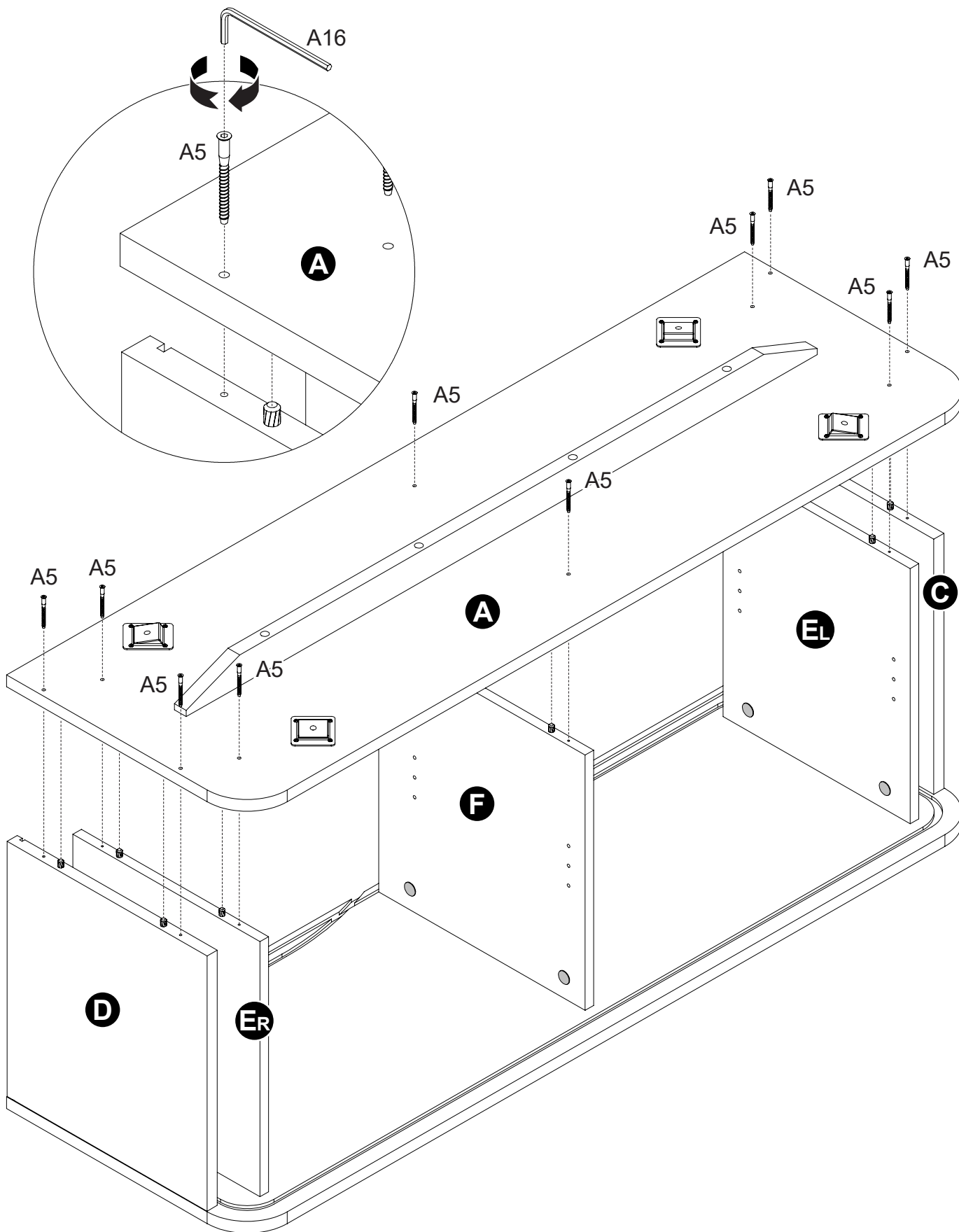
5x50 mm

A16

x1

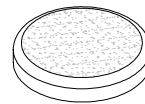


HEX 3 mm

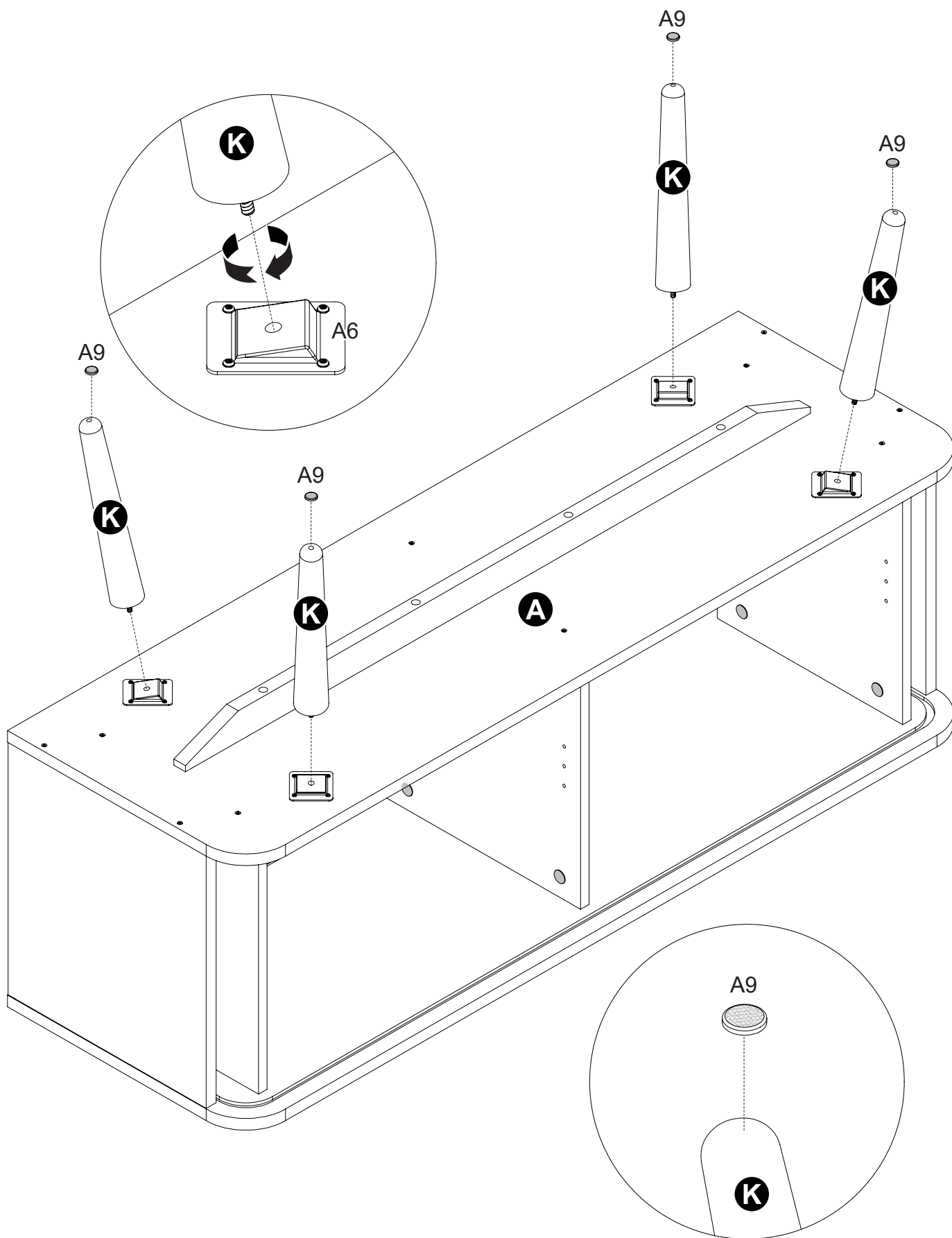


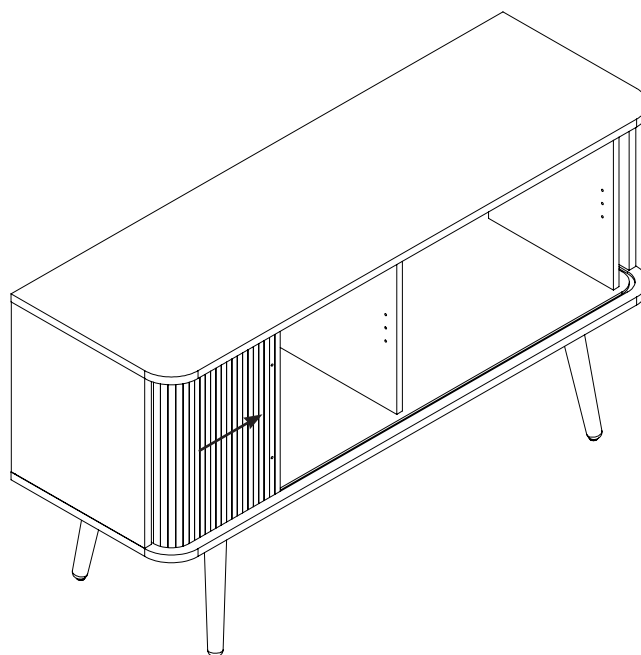
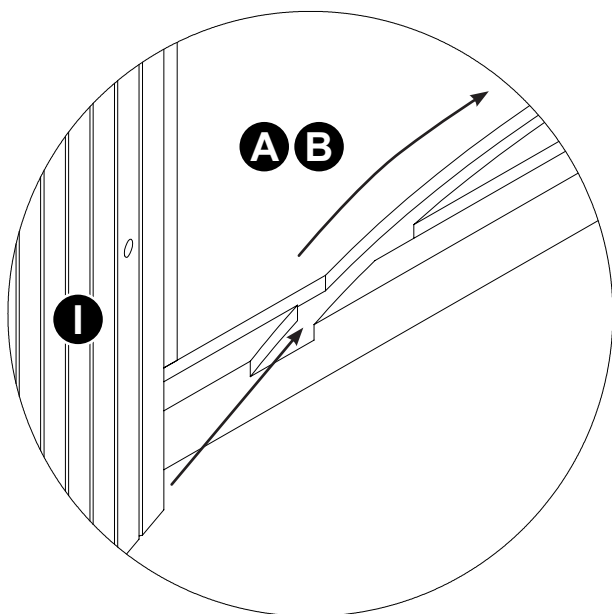
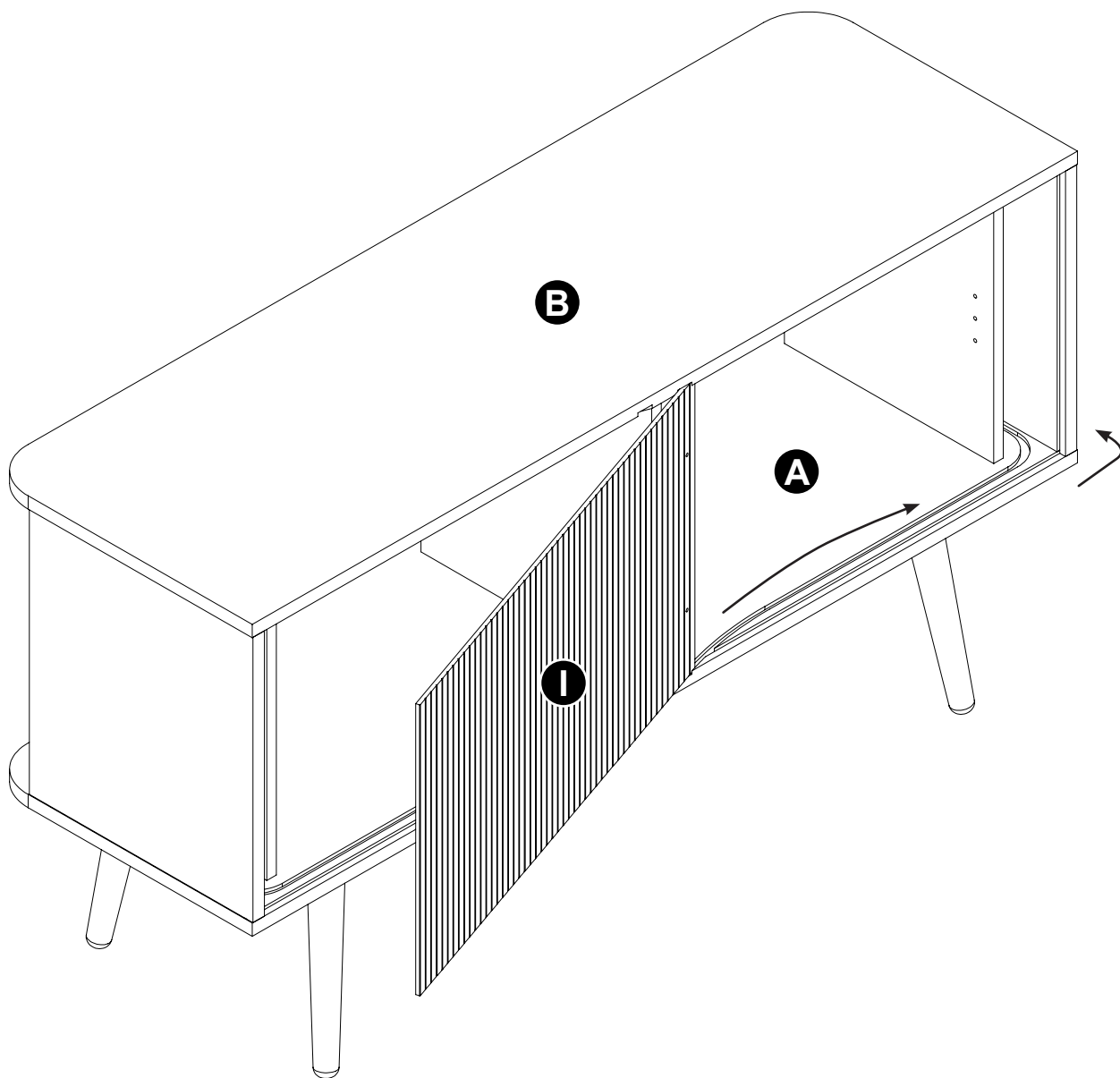
A9

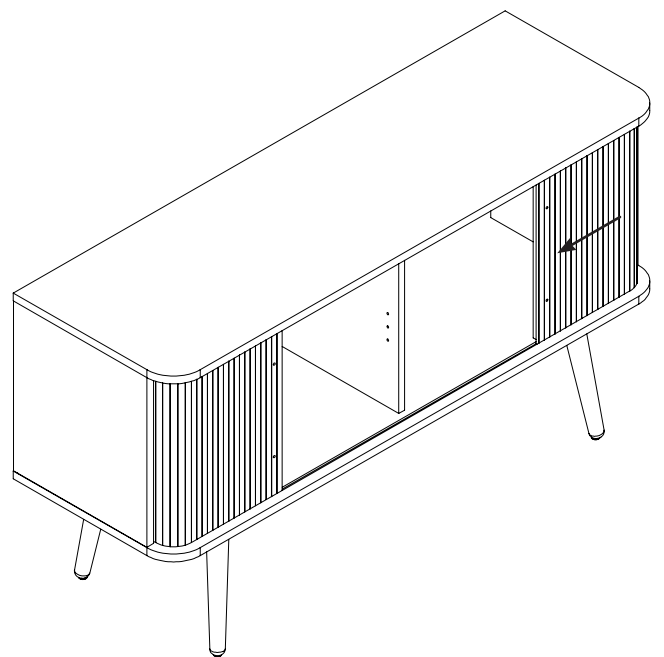
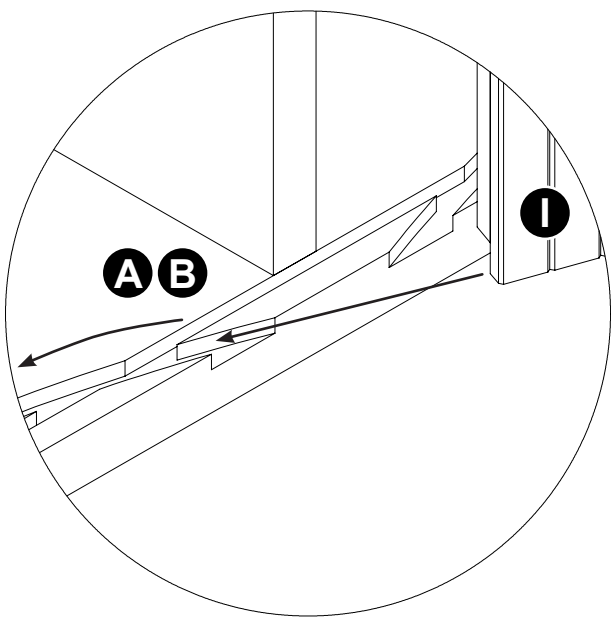
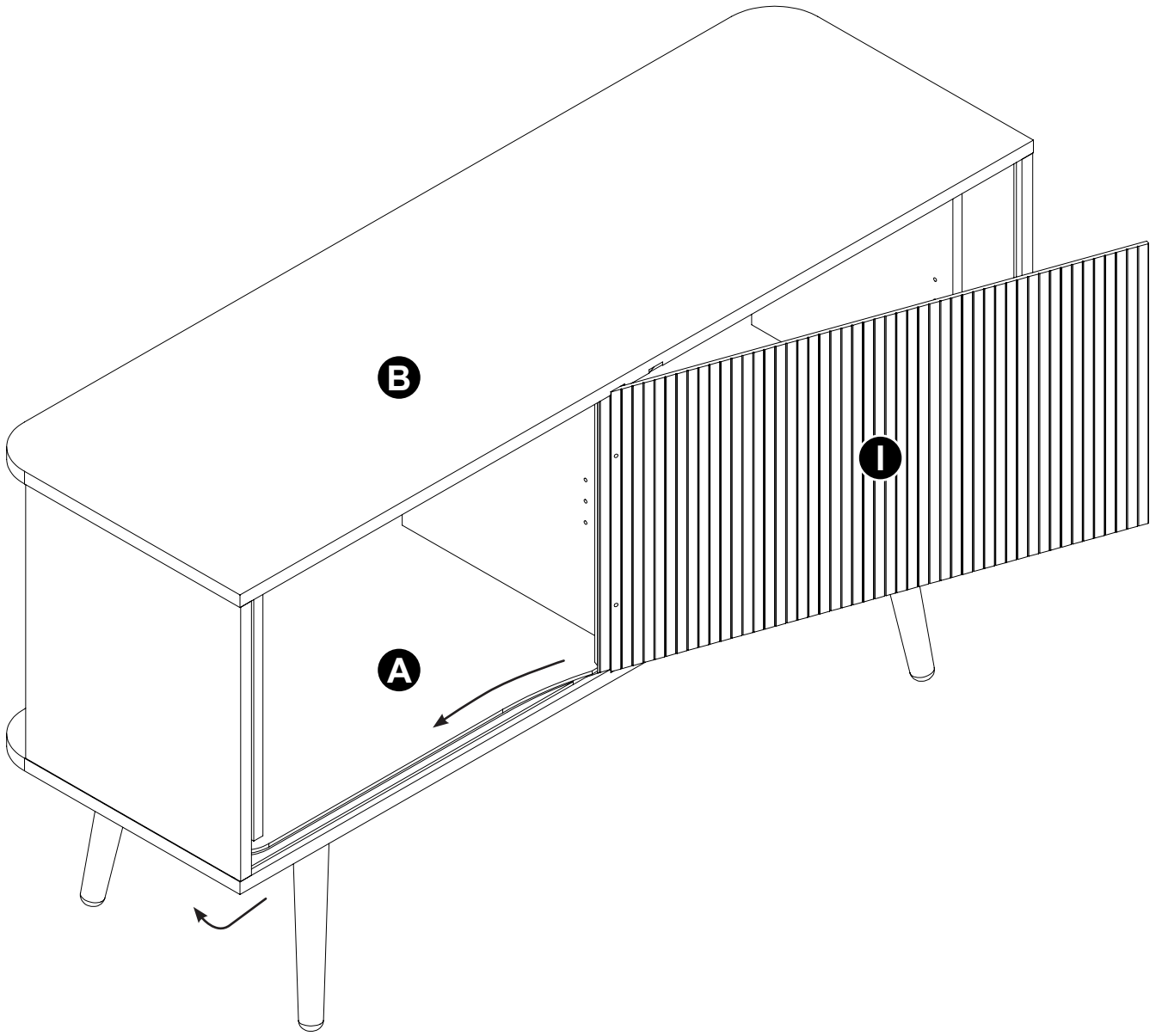
x4

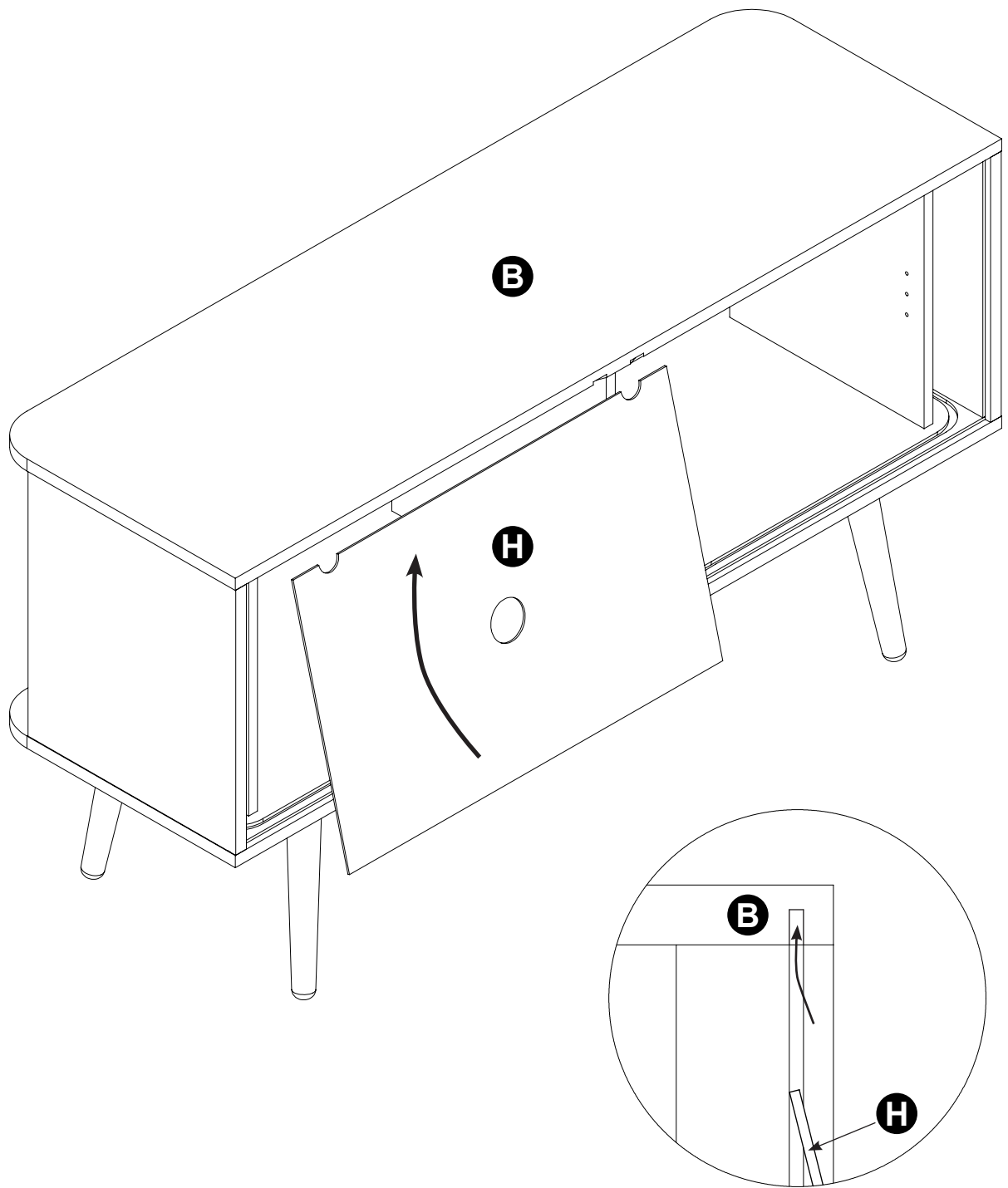


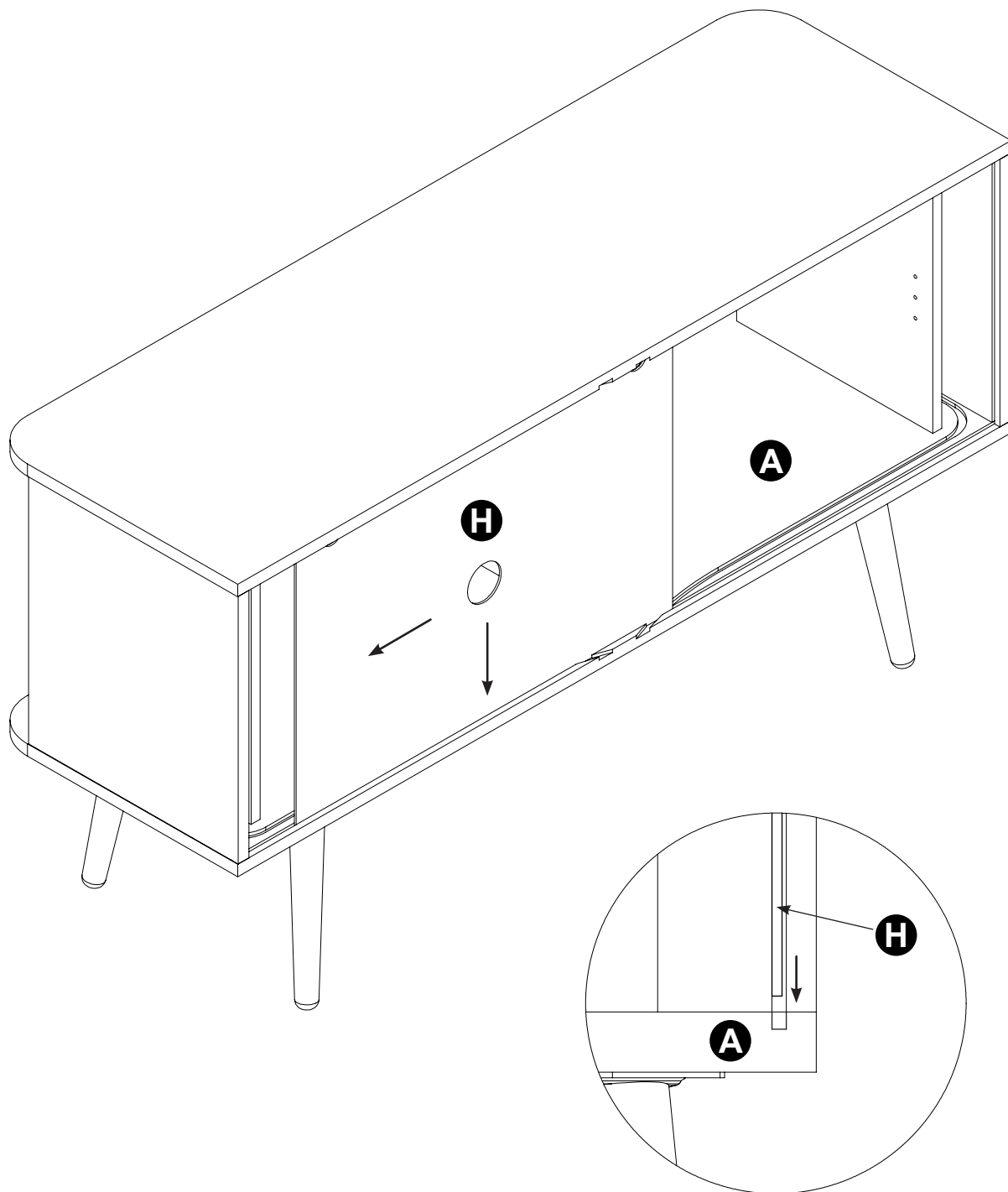
17 mm

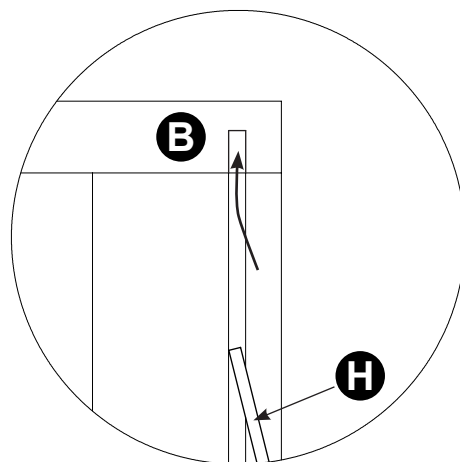
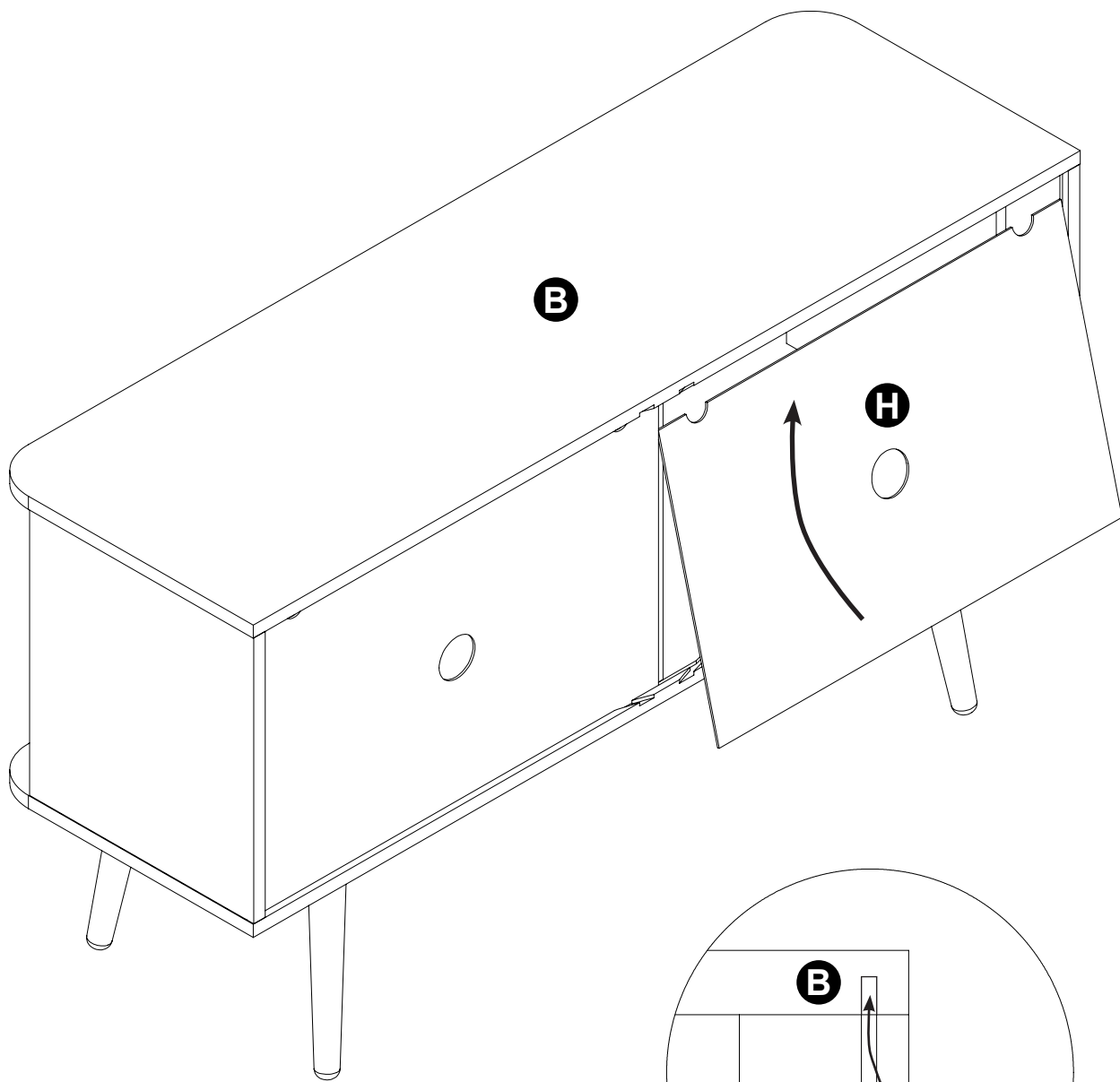


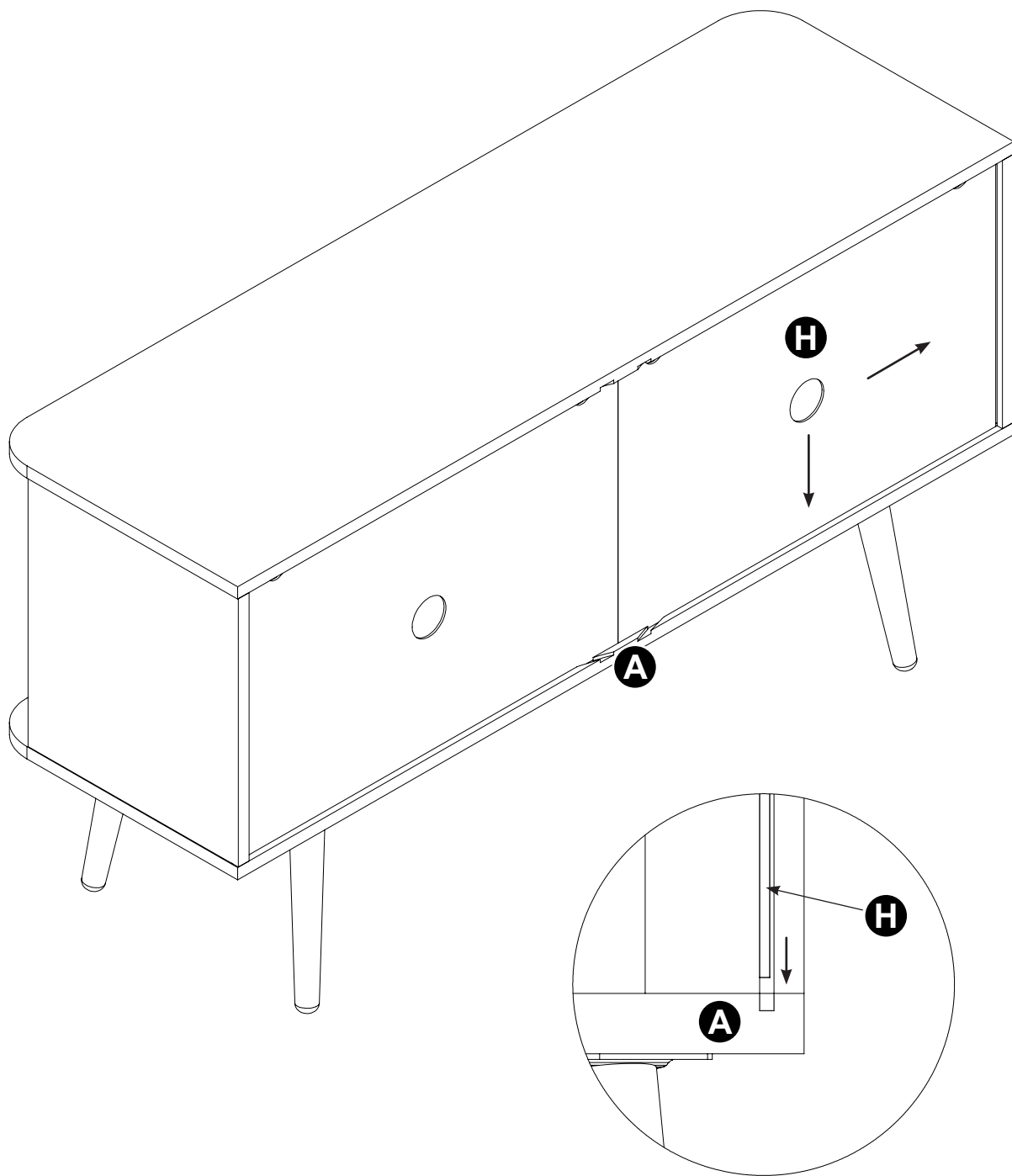






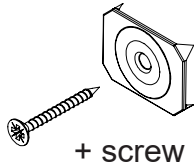






16

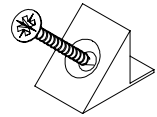
A10



x4

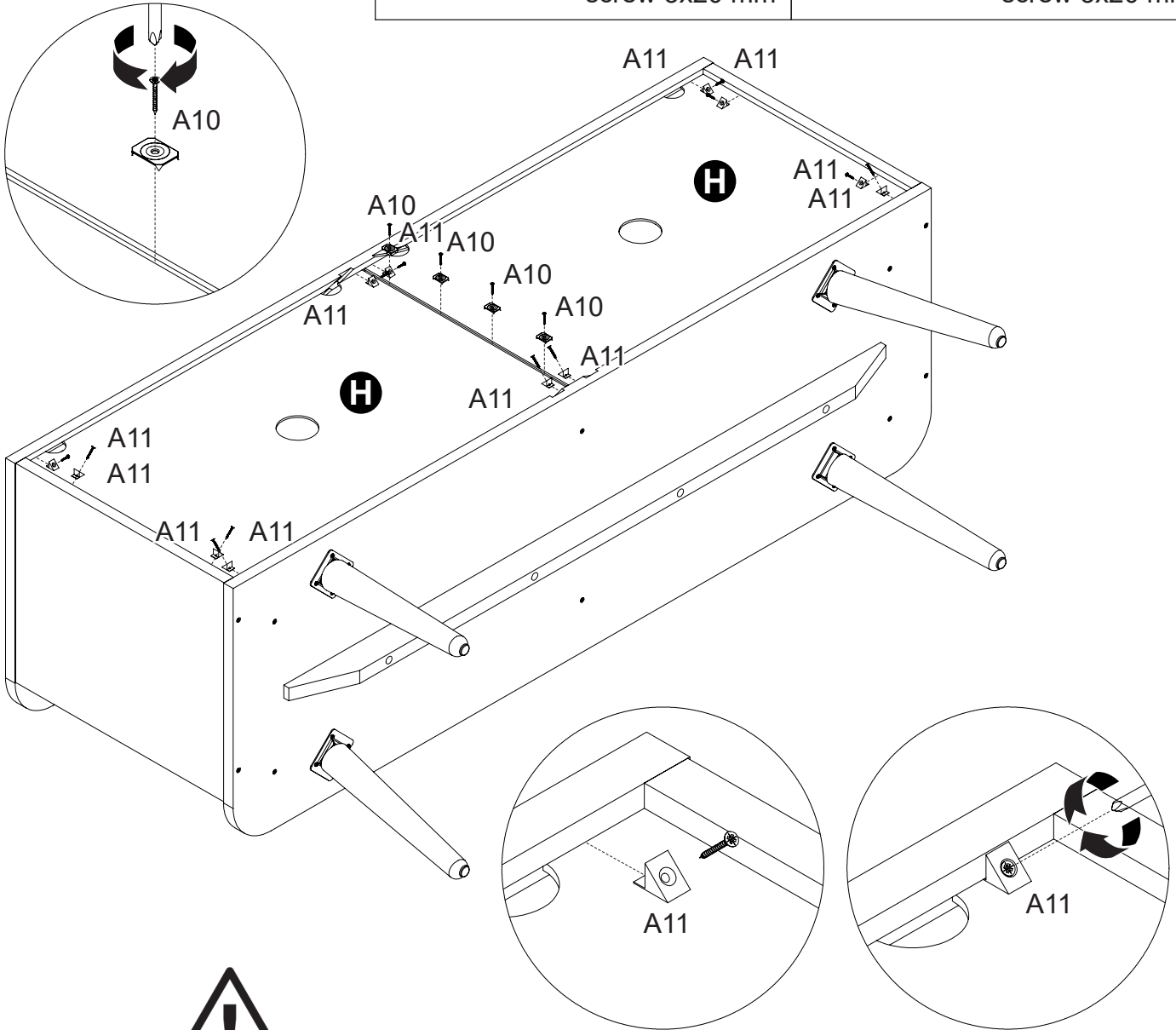
+ screw 3x20 mm

A11



x12

+ screw 3x20 mm

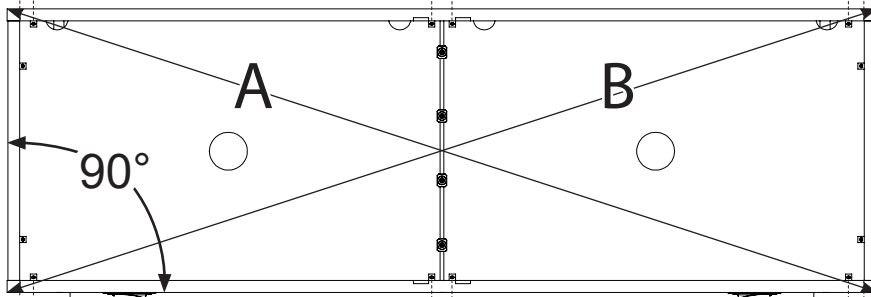


A=B

max. 30 mm

max. 40 mm

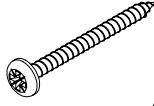
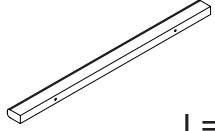
max. 30 mm

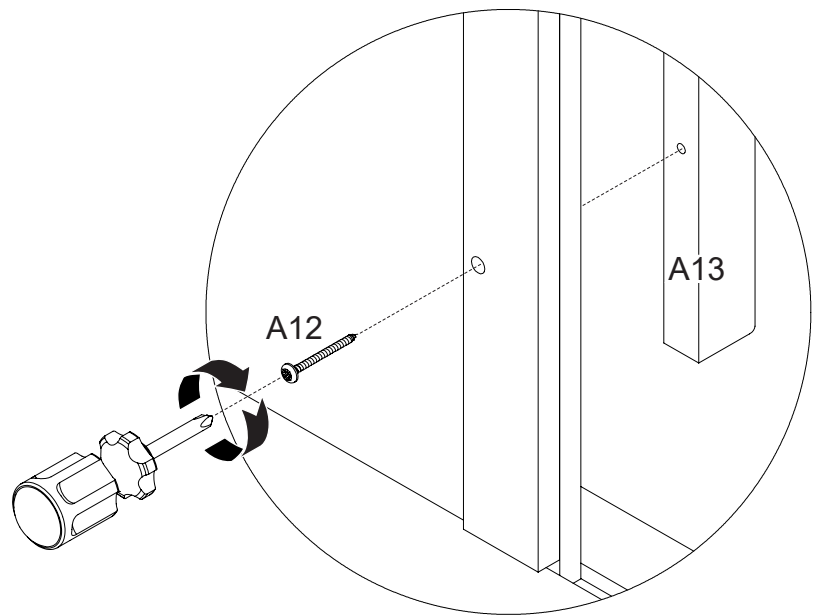
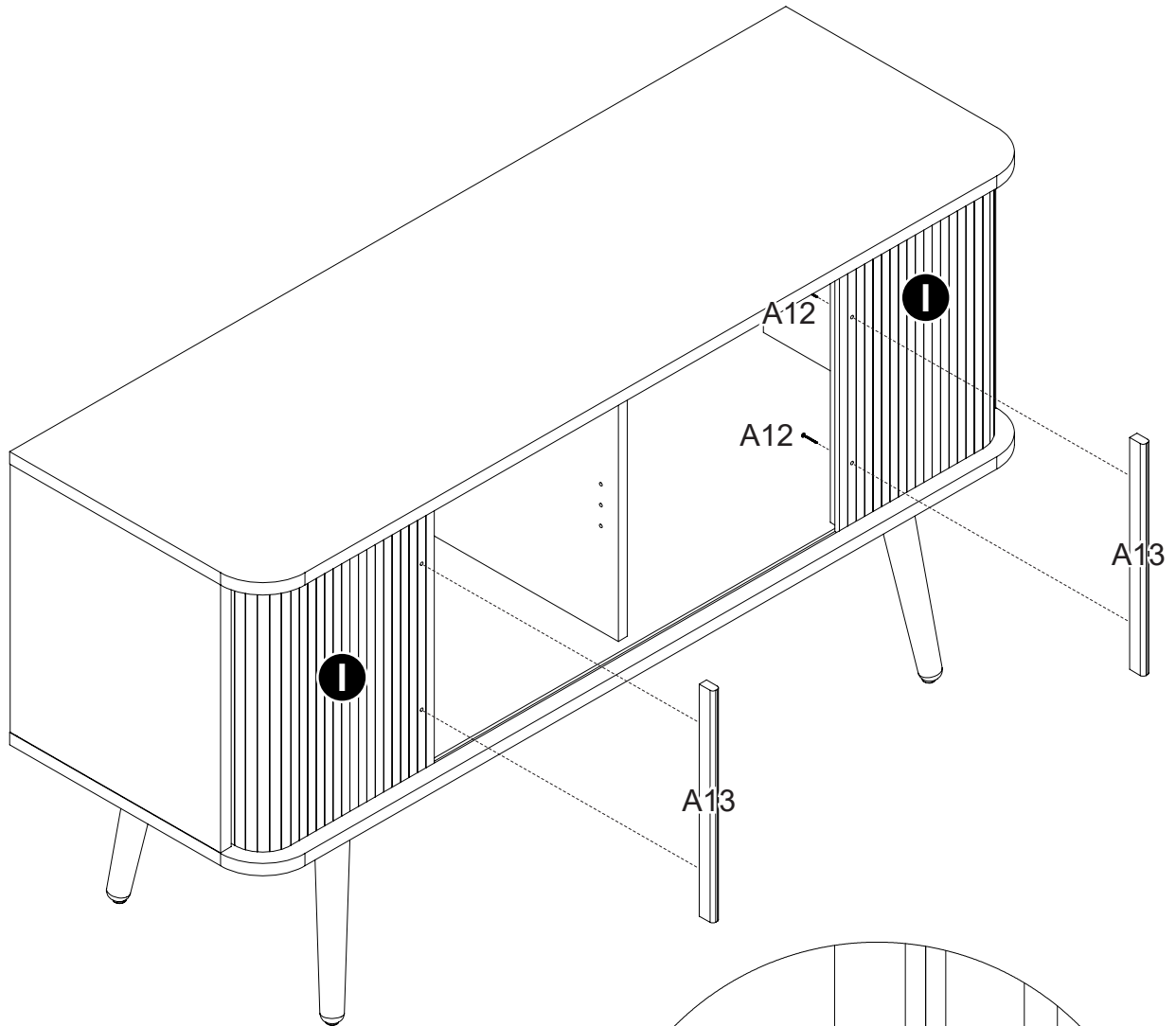


max. 30 mm

max. 40 mm

max. 30 mm

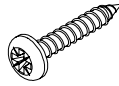
A12	x4	A13	x2
			
3,5x25 mm		L=356 mm	



18

A7

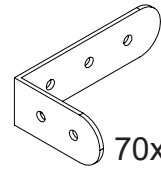
x2



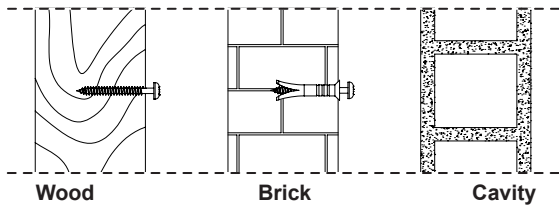
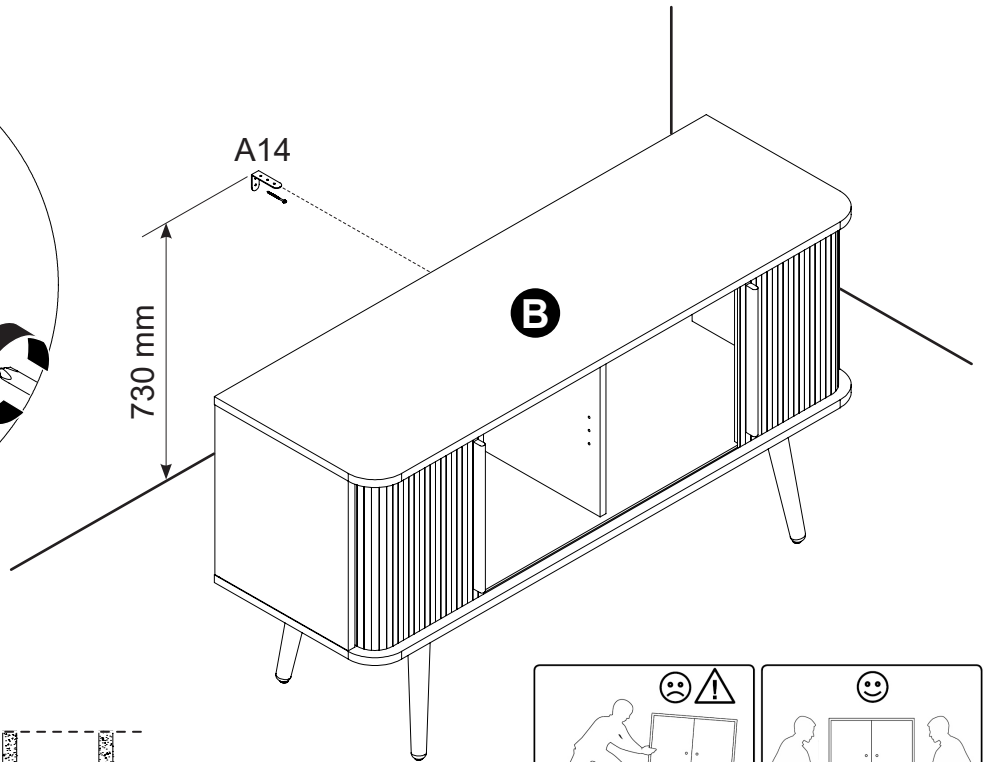
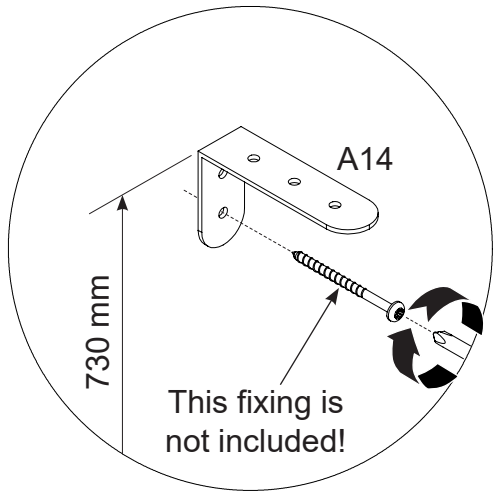
3,5x16 mm

A14

x1



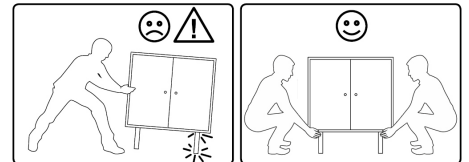
70x42x20 mm



Wood
If you are fixing the cabinet to a wood substrate, we advise that chipboard is not used as the screws can easily pull away from the structure.

Brick
Use appropriate wall plugs. Please ensure that your wall is of sound structure. If in doubt please seek professional advice.

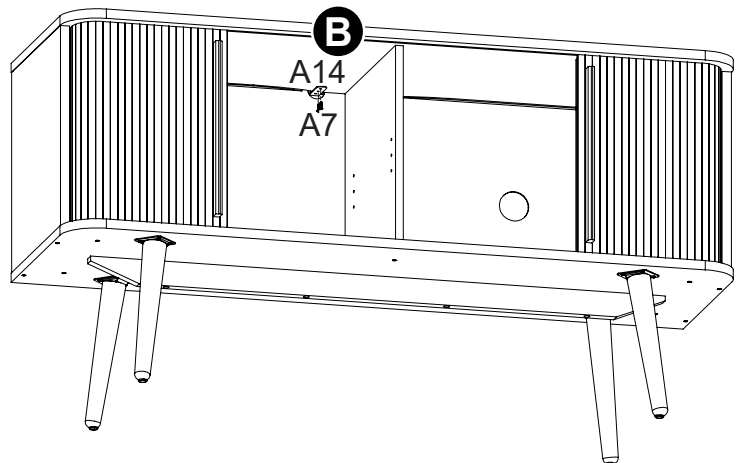
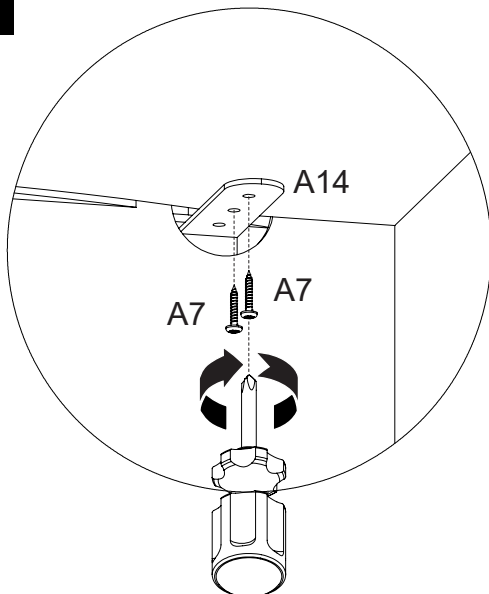
Cavity
Special toggle wall plugs are needed. Seek expert advice.



WARNING

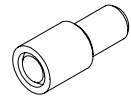
Serious or fatal crushing injuries can occur from furniture tipover. To prevent this furniture from tipping over it must be permanently fixed to the wall with the included wall attachment devices. Fastening devices for the wall are not included since different wall materials require different types of fastening devices. Use fastening devices suitable for the walls in your home. For advice on suitable fastening devices, contact your local specialized dealer!

19

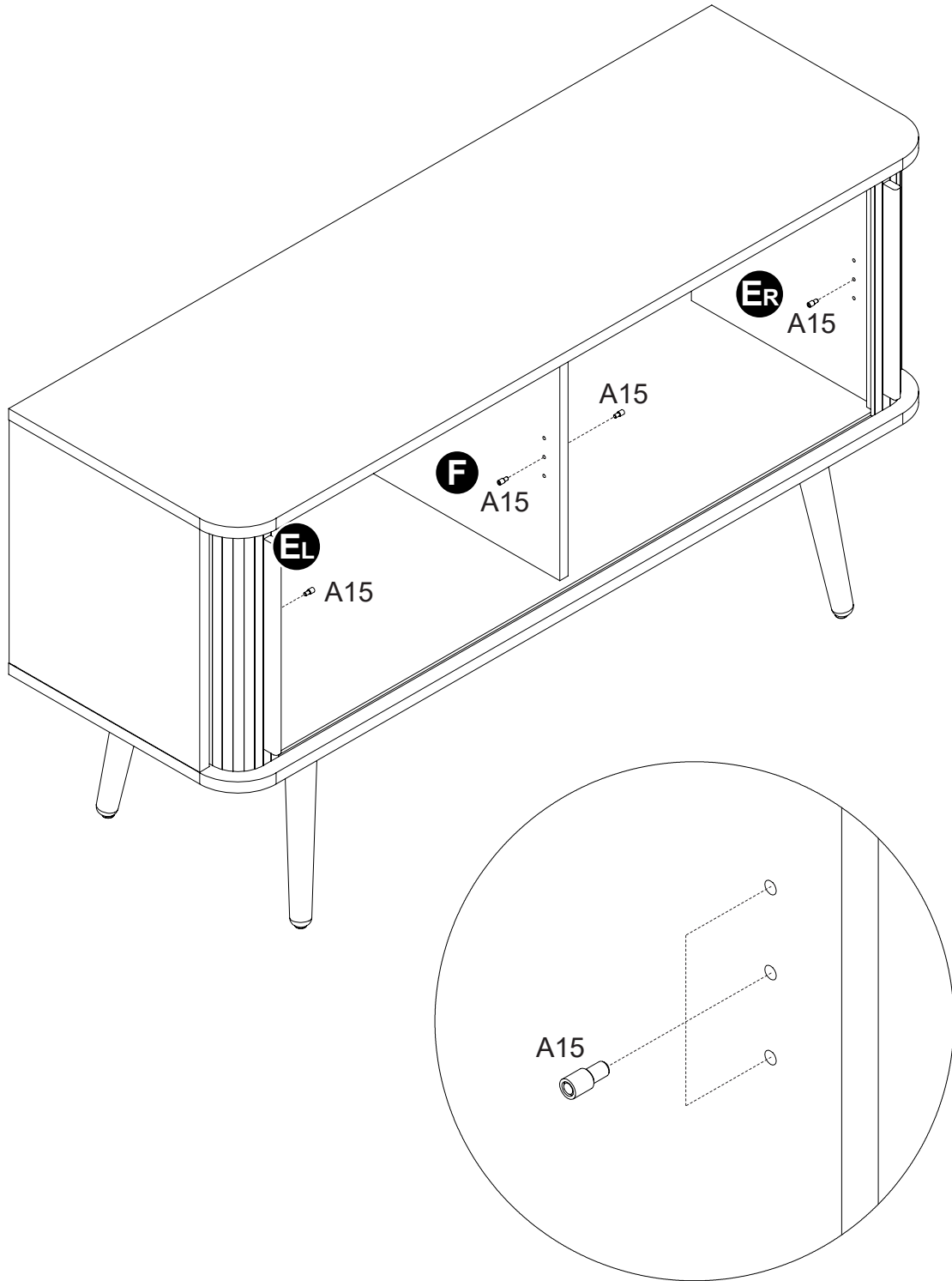


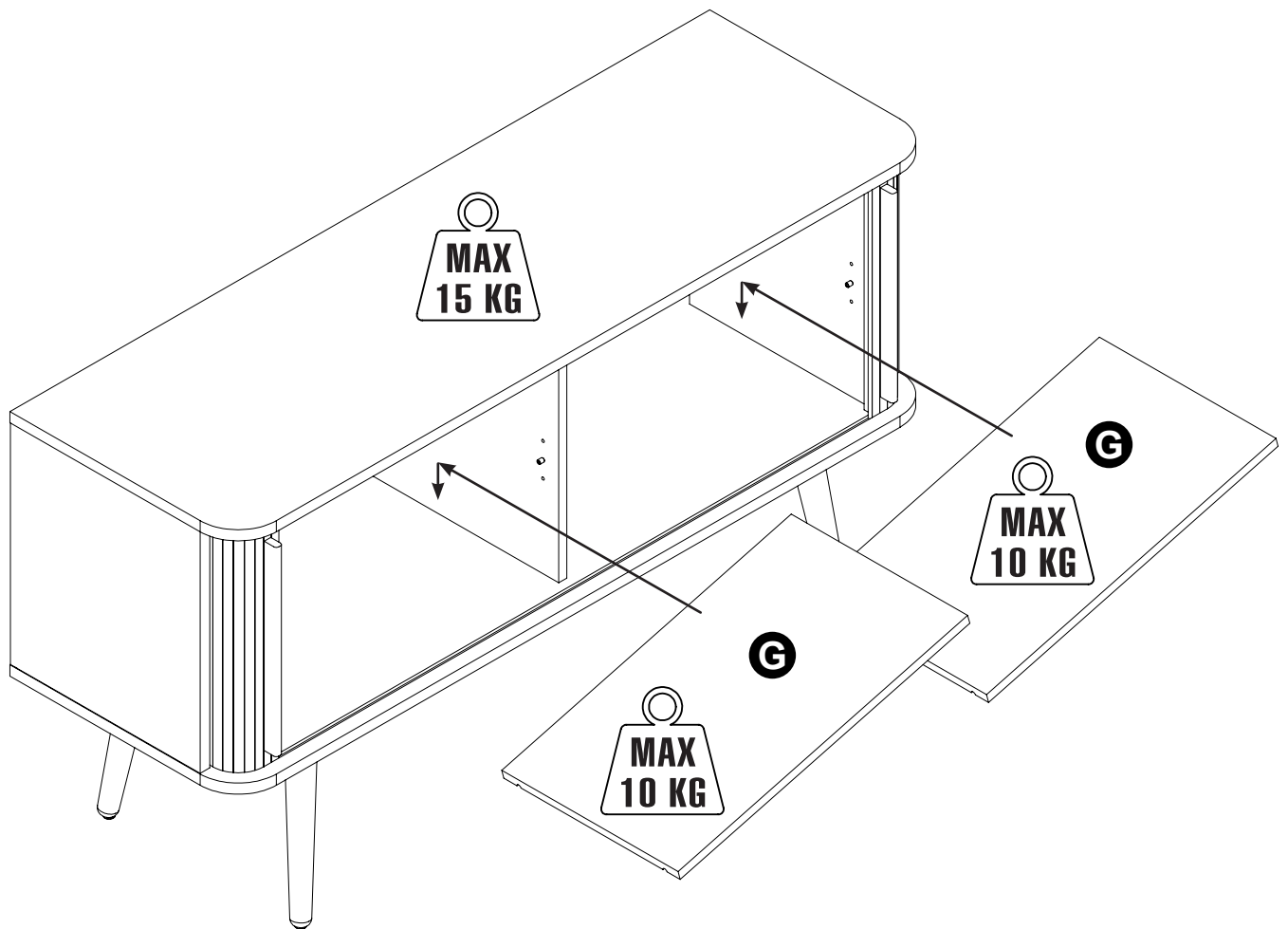
A15

x8



5 mm





Care and maintenance

Safety: Periodically check all fittings to ensure they have not come loose and retighten as necessary

Safety and Care Advice

General care and maintenance

Only clean using a damp cloth and mild detergent, do not use bleach or abrasive cleaners.

From time to time check that there are no loose screws on this unit.

This product should not be discarded with household waste. Take to your local authority waste disposal centre.

Cleaning and care of lacquered surfaces

Regular dusting with a dry cloth will keep your units clean.

Clean marks with a damp cloth.

Do not use abrasive cleaners.

Do not clean with products containing following:

Acetone (e.g. nail varnish remover), Ammonia (e.g. bleach) or Sodium hydroxid (e.g. Caustic soda, drain and oven cleaners).

To remove stubborn stain, wipe over with damp cloth and washing up liquid.

In the event of accidental contact with aggressive cleaners, rinse thoroughly with water. Use place mats to protect the surface from moisture and heat.