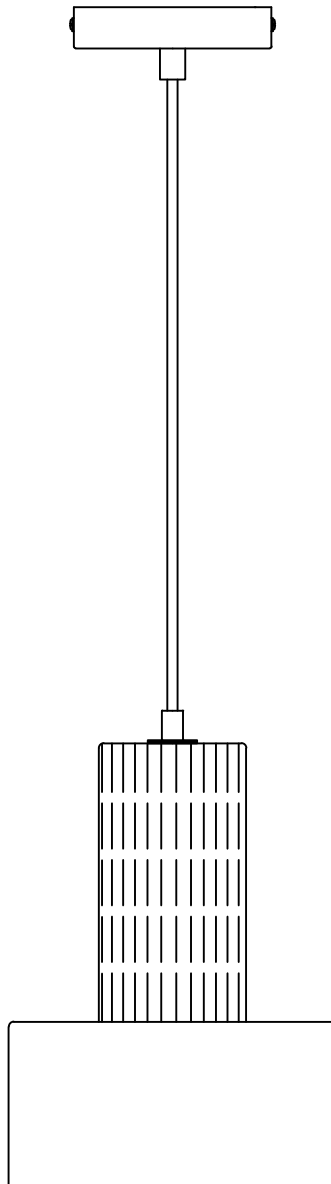
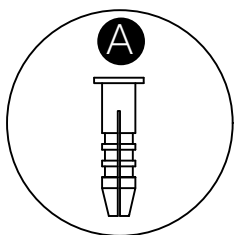
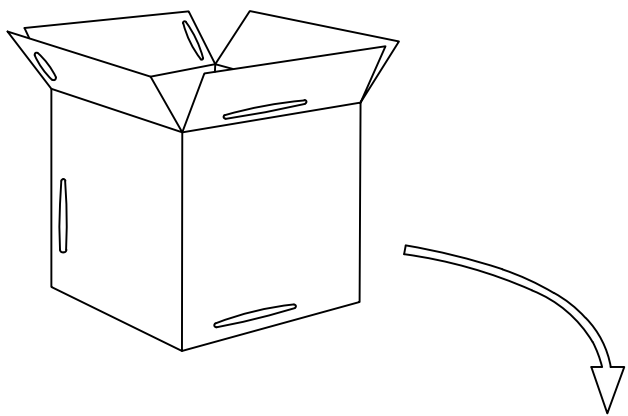


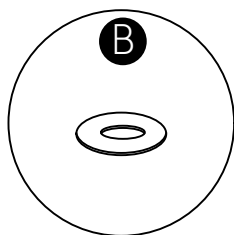
# Ripple Lamp



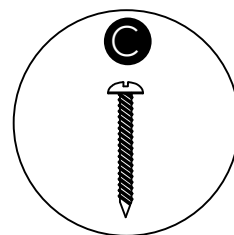
Hübsch  
DANISH HOME INTERIOR & DESIGN



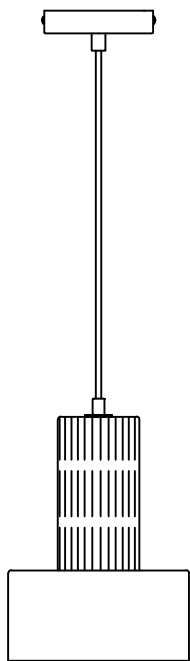
x 2



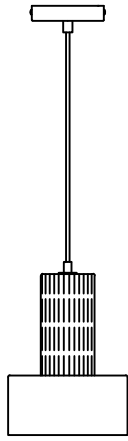
x 2



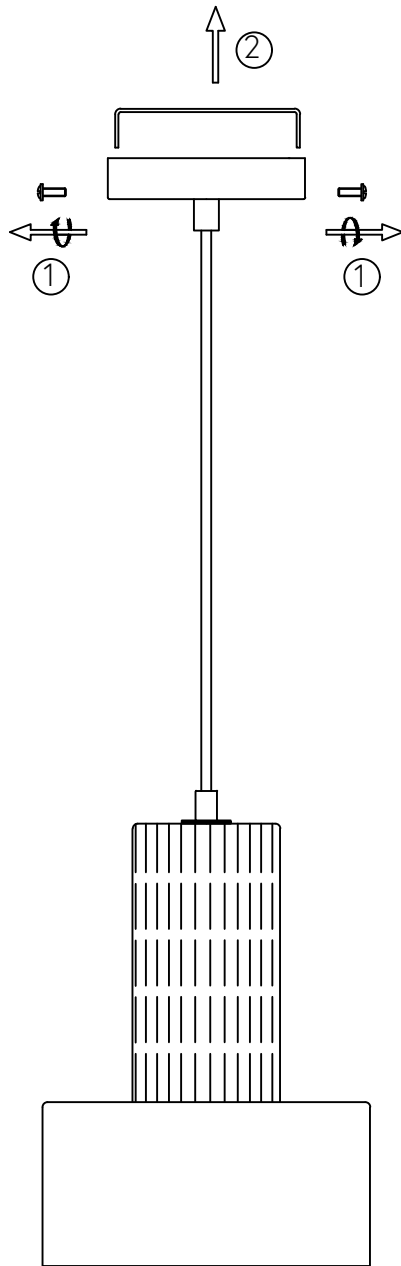
x 2



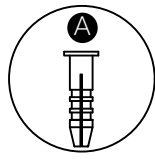
x 1



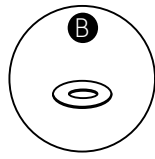
x 1



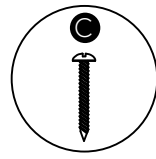
3



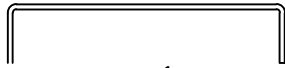
x 2



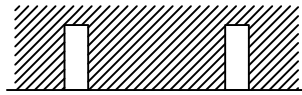
x 2



x 2



x 1



A

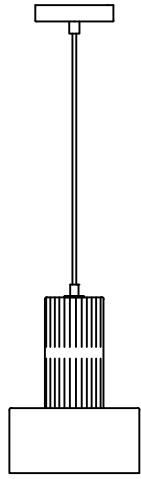


B

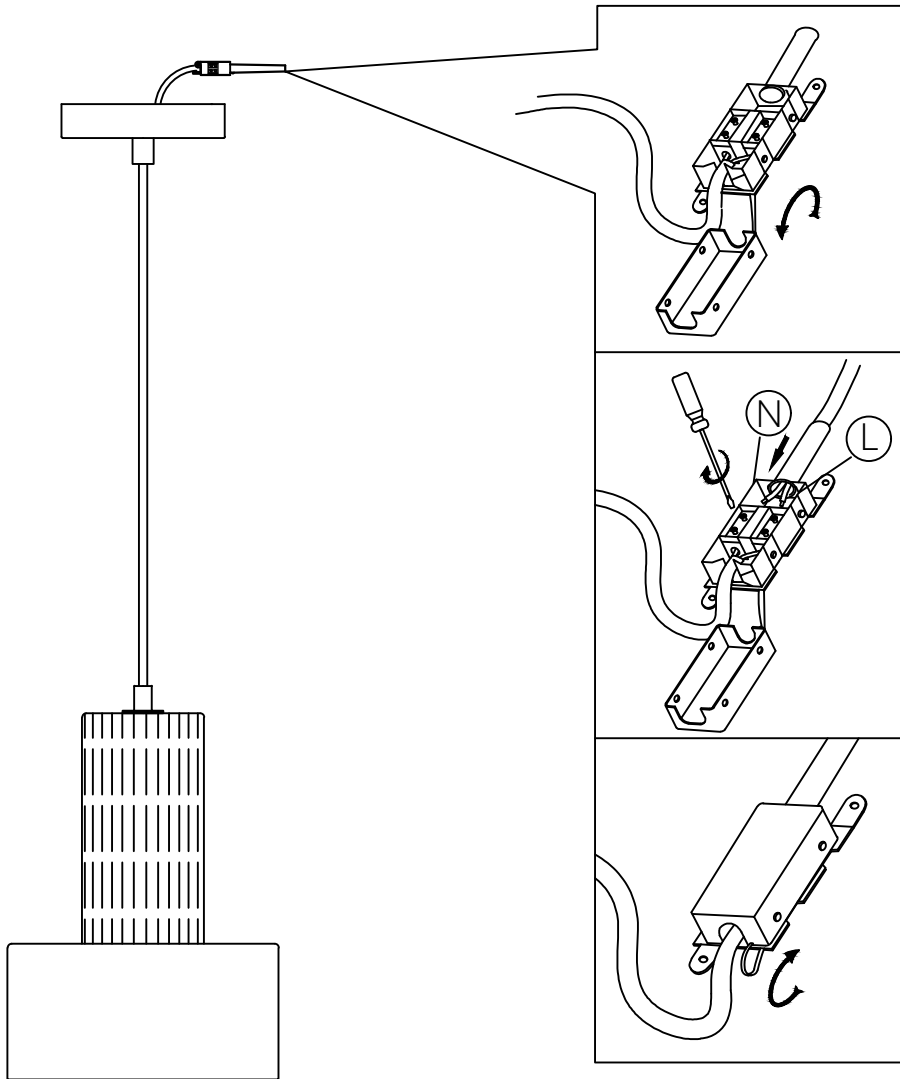


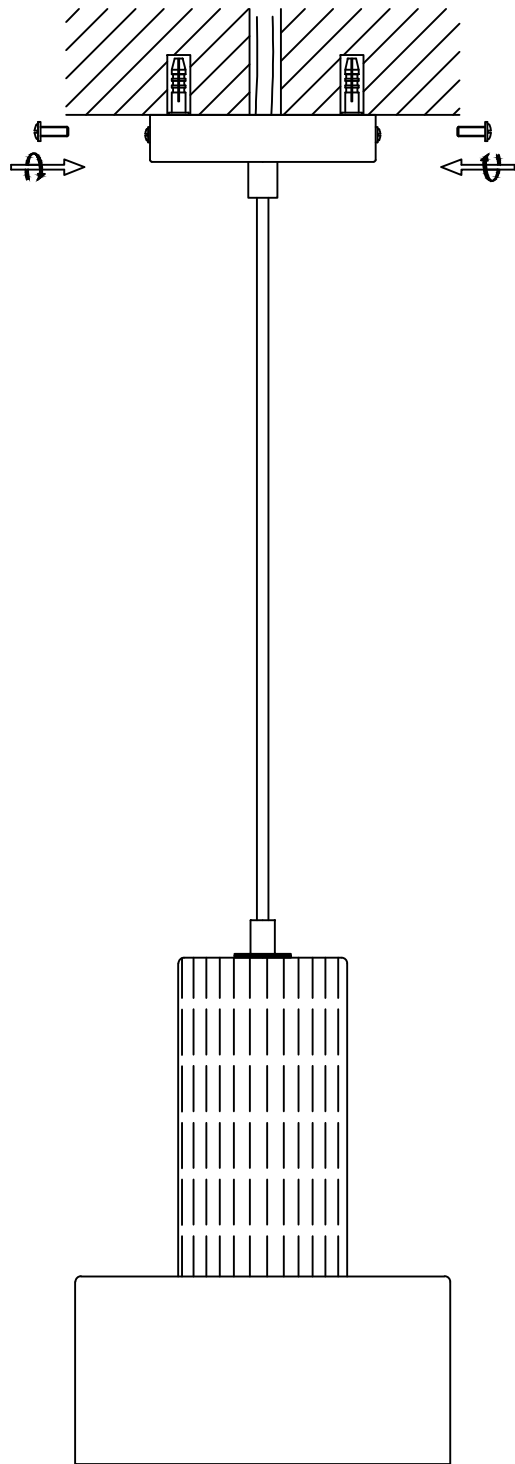
C

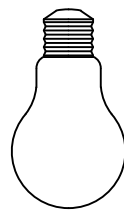
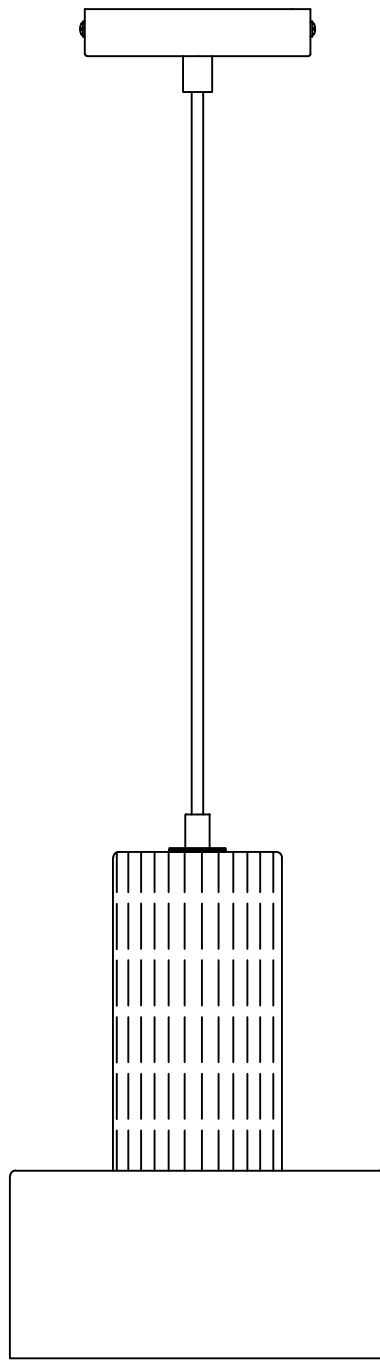




x 1







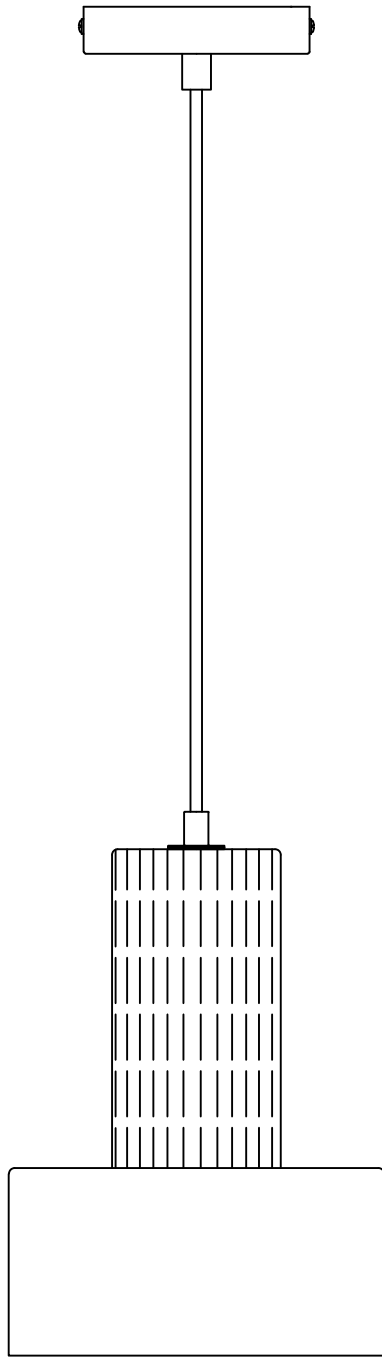
2





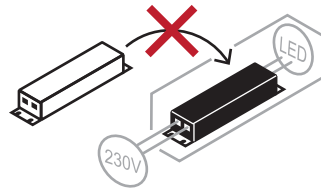
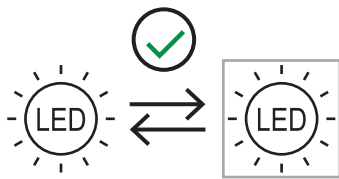
283CM

29CM



Ø20CM



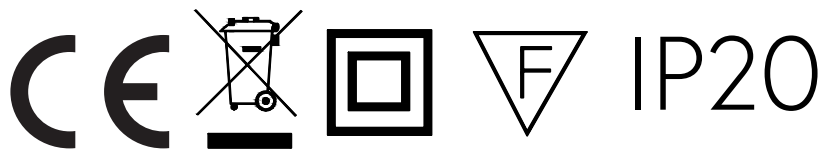


Model number:991303

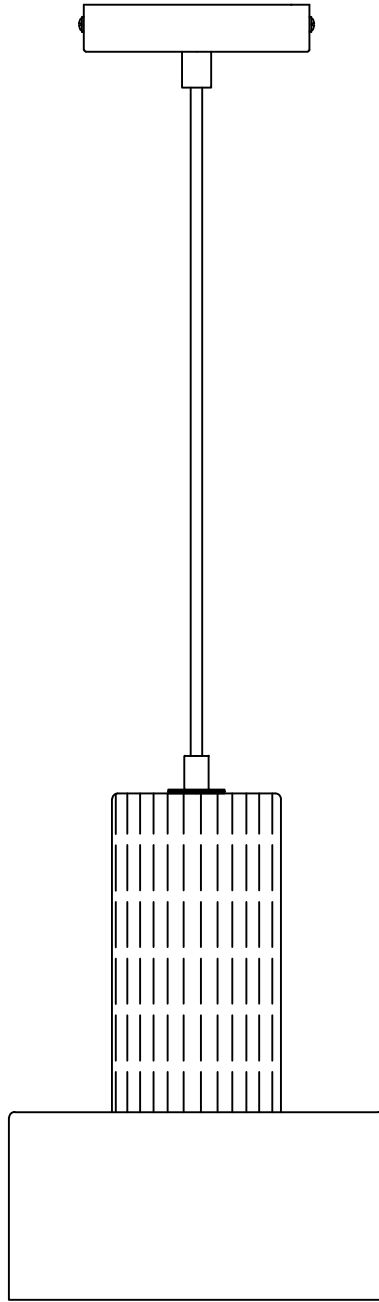
220-240V~ 50Hz

E27 MAX.15W LED Bulb

Hübsch A/S,Hi-Park 381,DK-7400 Herning



[hubsch-interior.com](http://hubsch-interior.com)



**#myhubsch @hubschinterior**

**Hübsch**  
DANISH HOME INTERIOR & DESIGN