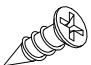
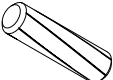
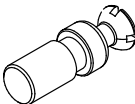
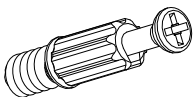
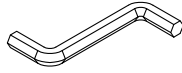


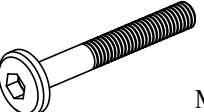
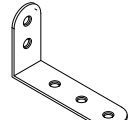
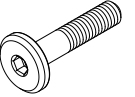

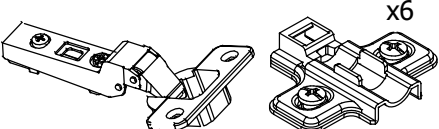
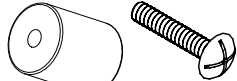
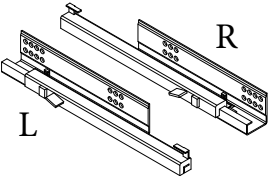


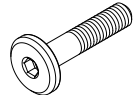

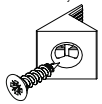
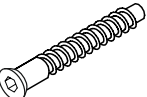
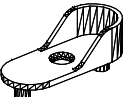
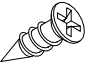
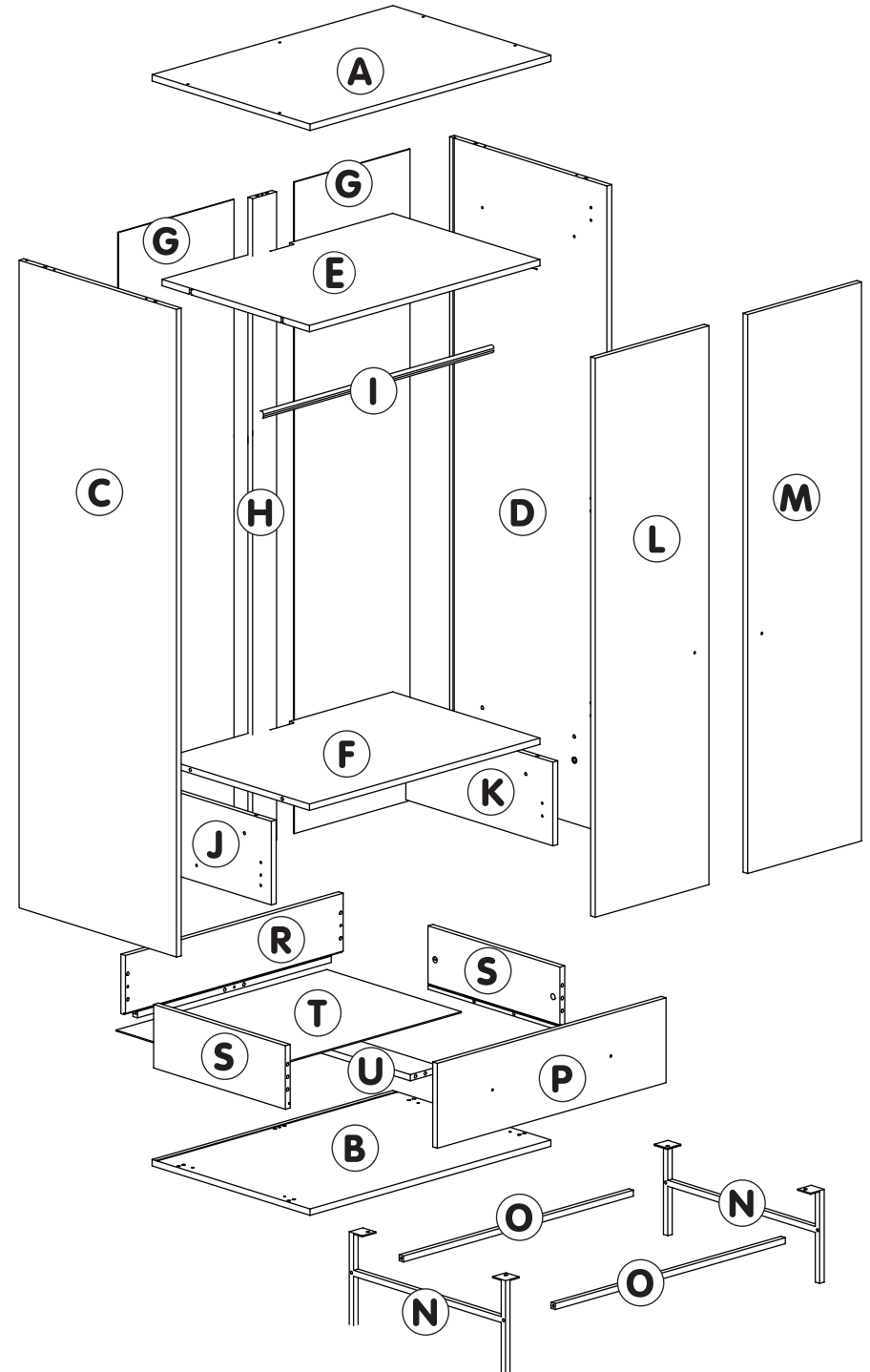


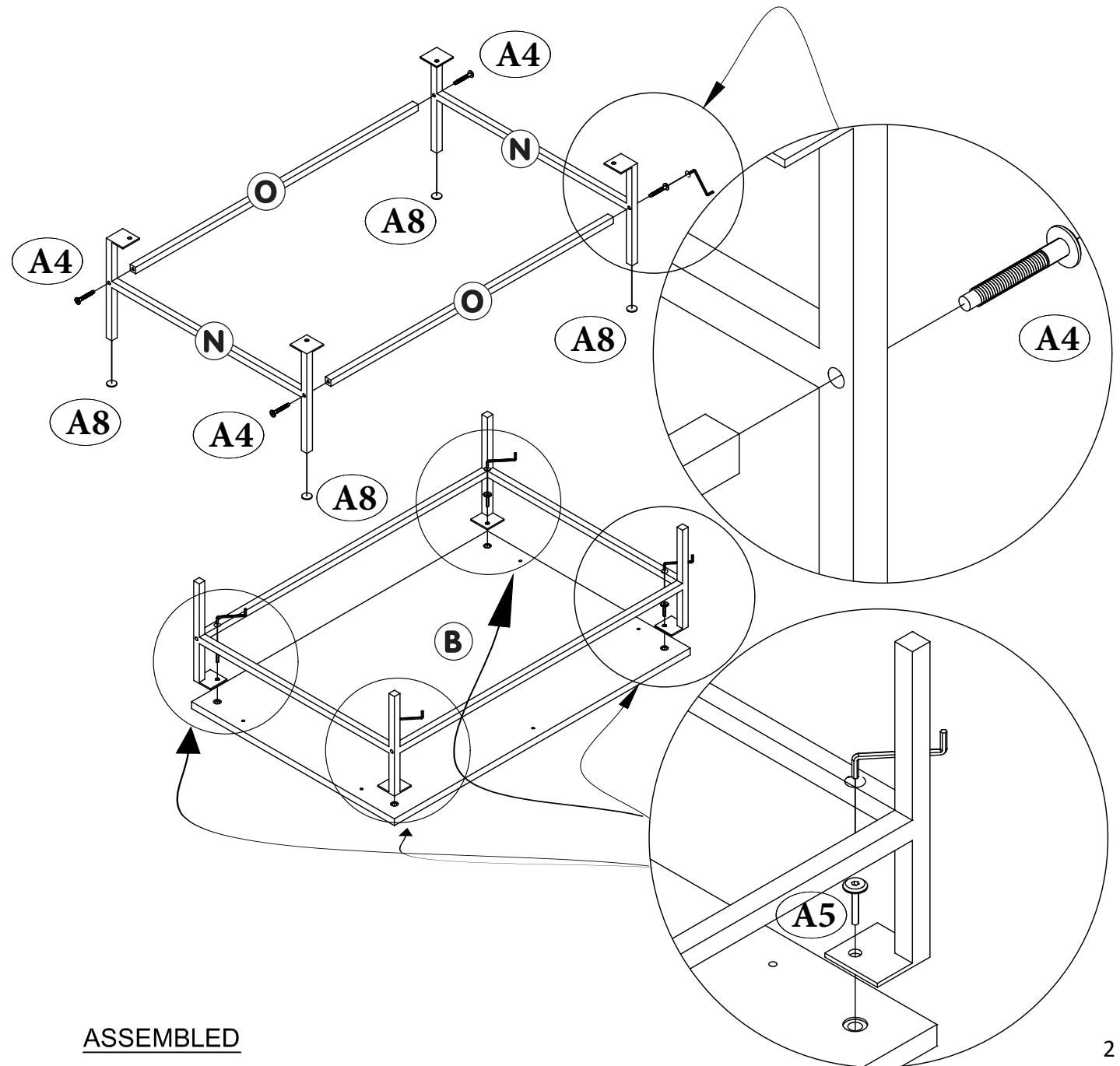
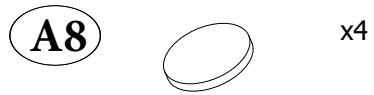
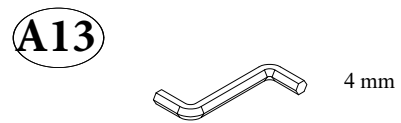
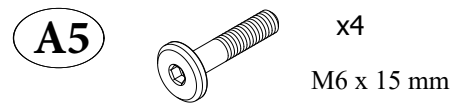
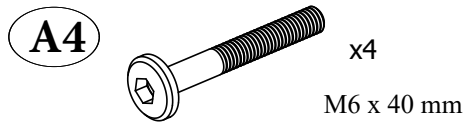
		<b>A11</b>		x21 3,5 x 15 mm	
<b>A1</b>		x36 8x 35 mm	<b>A12</b>		x4
<b>A2</b>		x6	<b>A13</b>		x1/x1 3 & 4 mm
<b>A3</b>		x6	<b>A14</b>		x8
<b>A4</b>		x4 M6 x 40 mm	<b>A15</b>		x2
<b>A5</b>		x4 M6 x 15 mm	<b>A16</b>		x4 6,3 x 11 mm
<b>A6</b>		x6	<b>A17</b>		x4 M4 x 25 mm
<b>A7</b>		x1 L R	<b>A18</b>		x5
<b>A8</b>		x4	<b>A19</b>		x4 M6 x 25 mm
<b>A9</b>		x4	<b>A20</b>		x6 3x15 mm
<b>A10</b>		x12 5,0 x 50 mm	<b>A21</b>		x2 15x30 mm
			<b>A22</b>		x2 3,5 x 12 mm



**ASSEMBLED**

PLEASE ASSEMBLE ON A MAT OR CARPET

STEP: -1



ASSEMBLED

NOTE:-PLEASE ASSEMBLE ON A MAT OR CARPET

STEP: -2

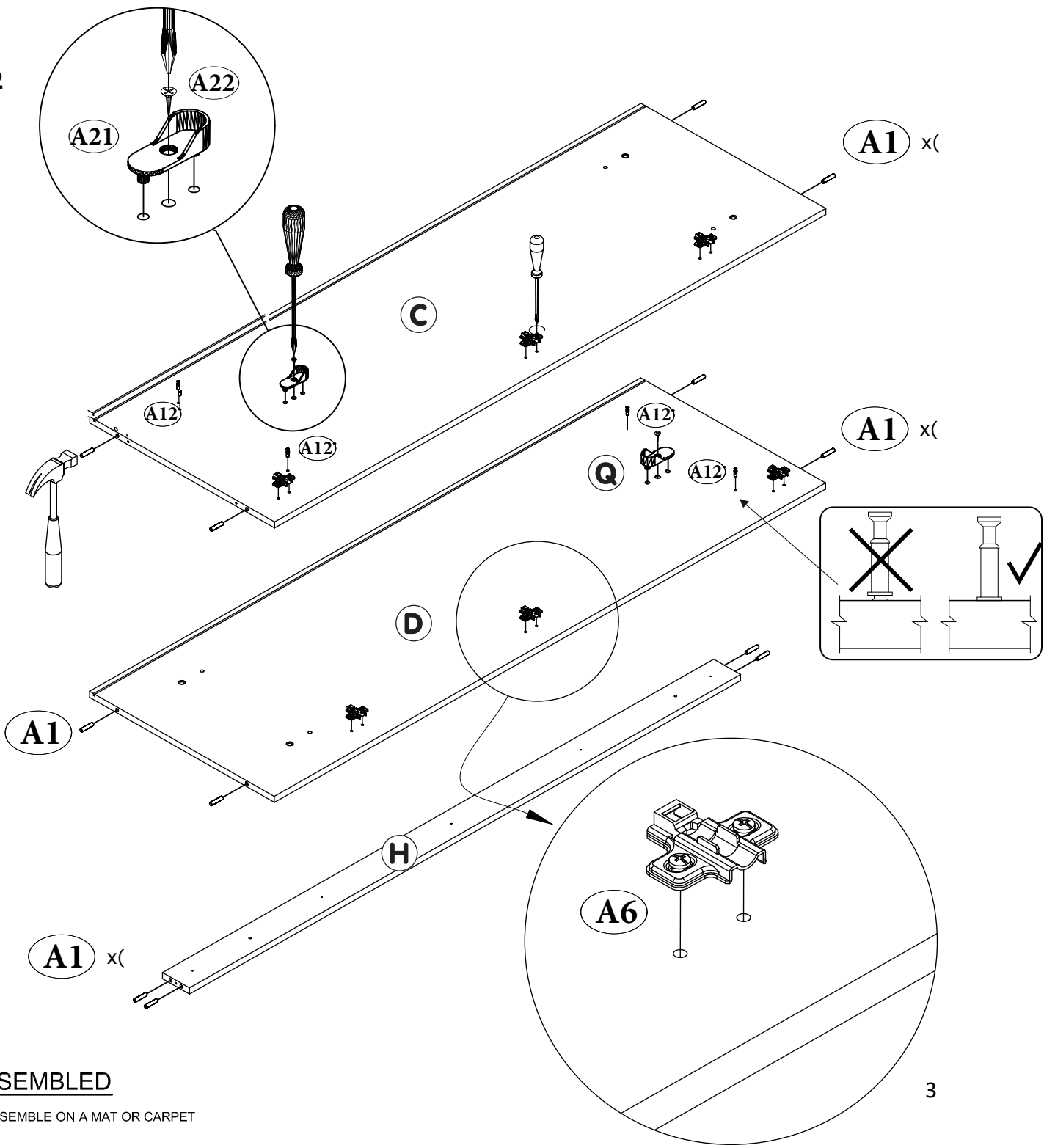
**A1** x12  
8x 35 mm

**A6** x6

**A22** x2  
3,5 x 12 mm

**A12** x4

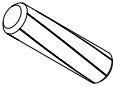
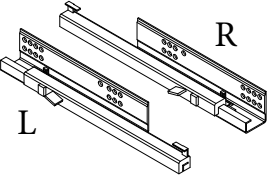
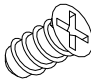
**A21** x2  
15x30 mm

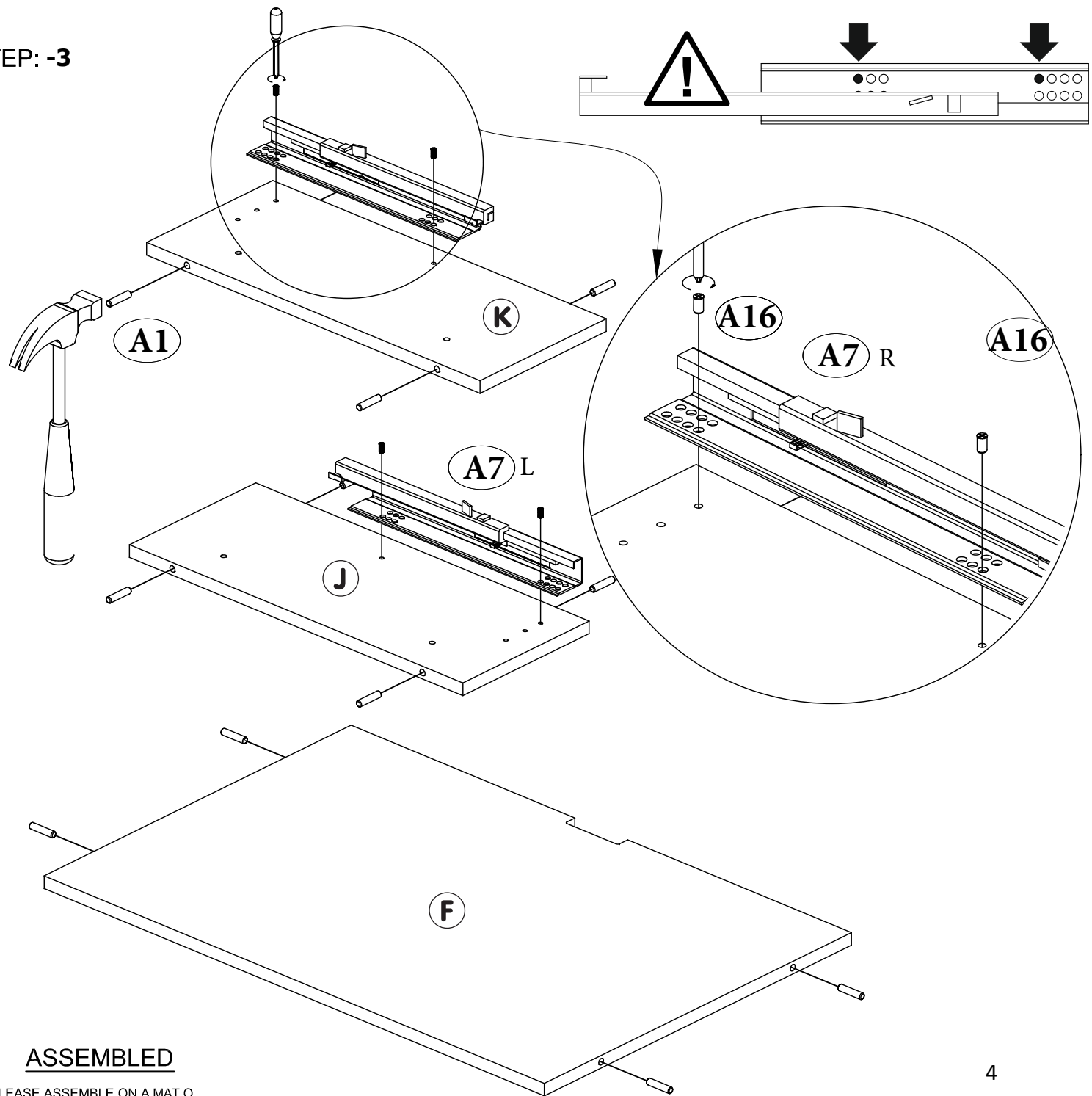


ASSEMBLED

NOTE:-PLEASE ASSEMBLE ON A MAT OR CARPET

STEP: -3

- A1**  x12  
8x 35 mm
- A7**  x1  
L R
- A16**  x4  
6,3 x 11 mm

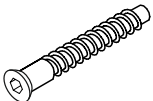


**ASSEMBLED**

NOTE:-PLEASE ASSEMBLE ON A MAT O

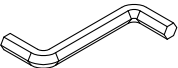
STEP: -4

**A10**

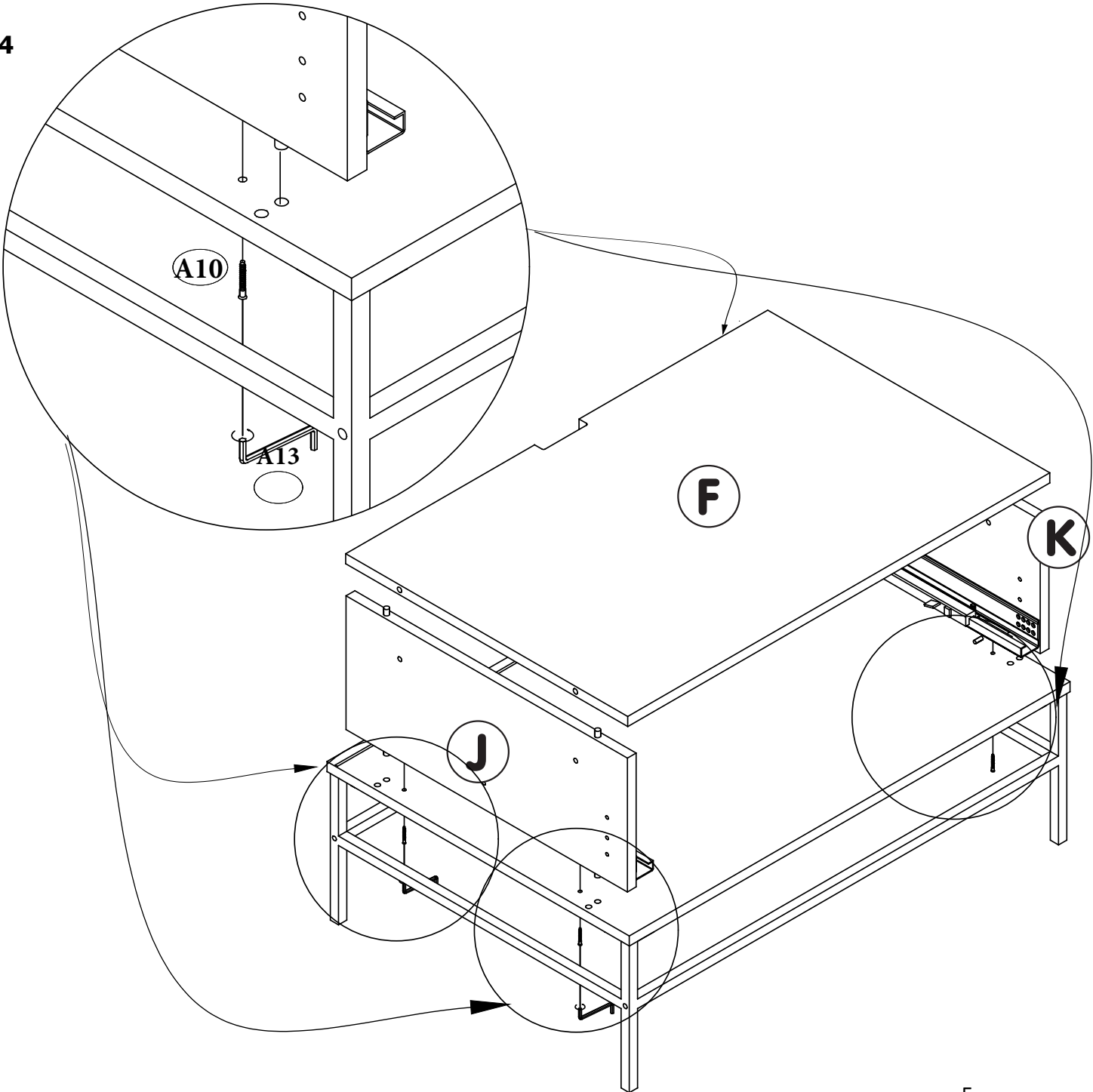


X 4  
5,0 x 50 mm

**A13**

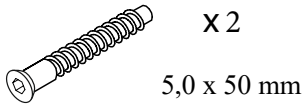


3 mm

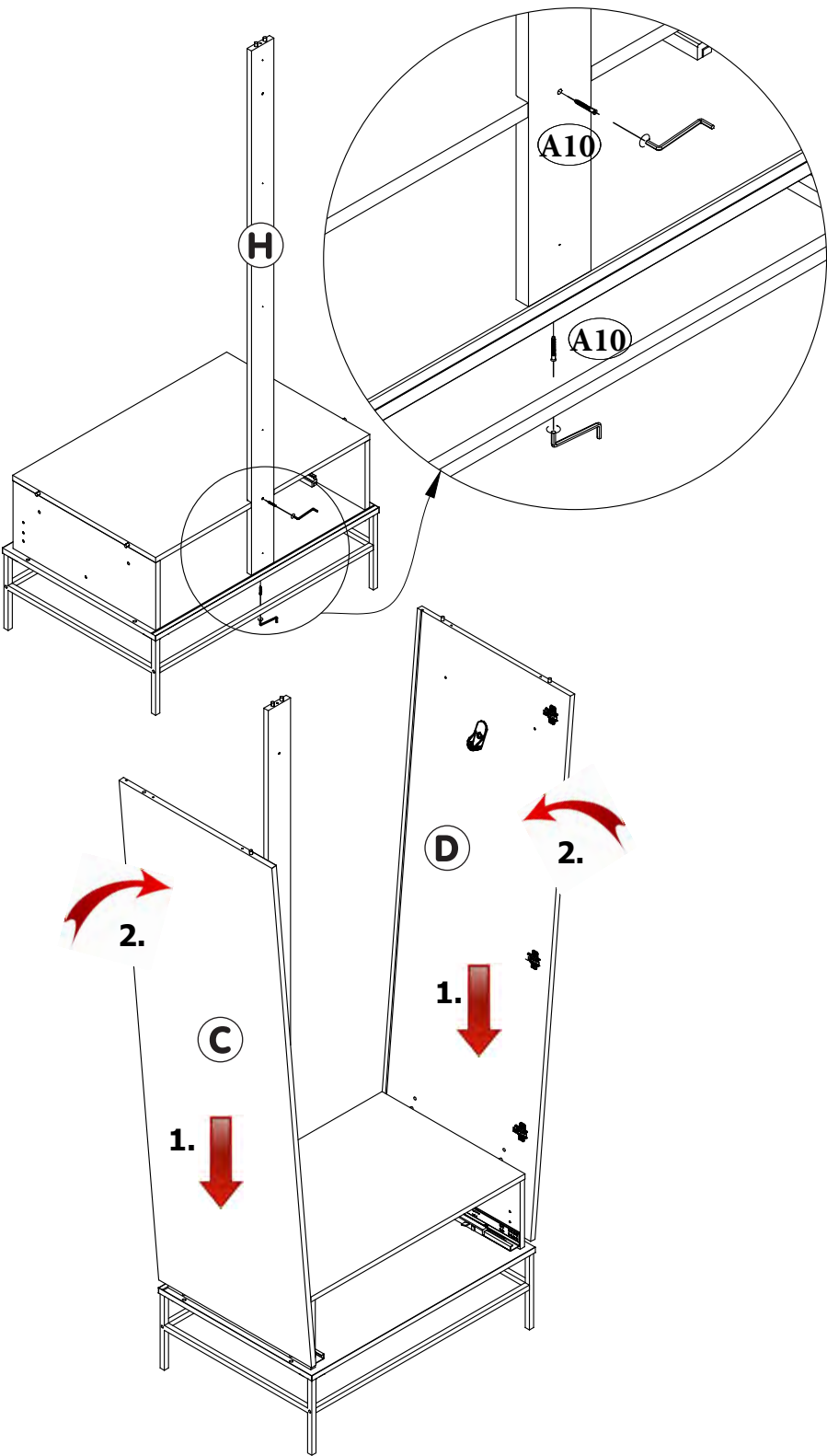


STEP: -5

A10

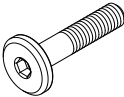


A13



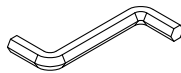
STEP: -6

A19

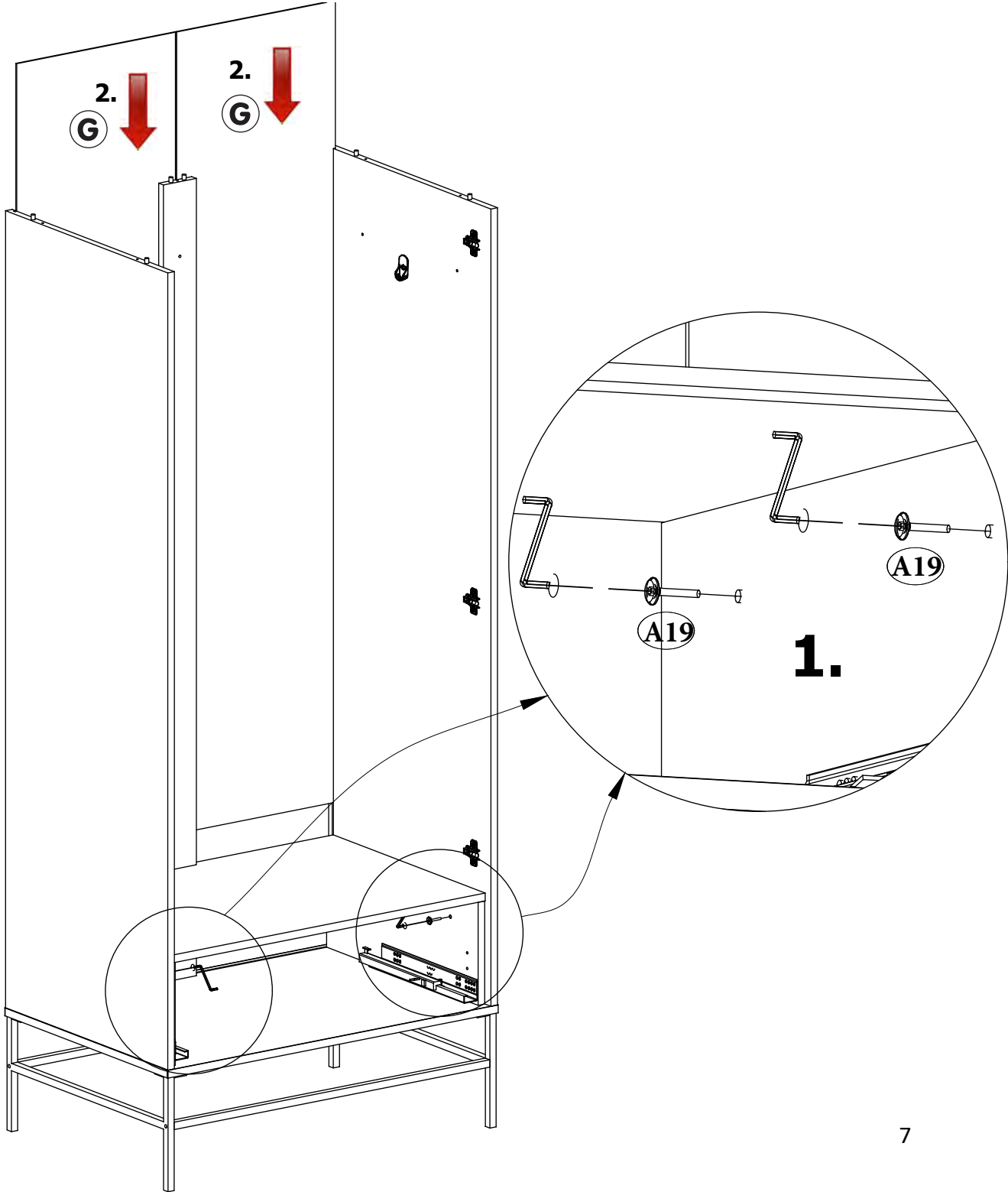


x4  
M6 x 25 mm

A13

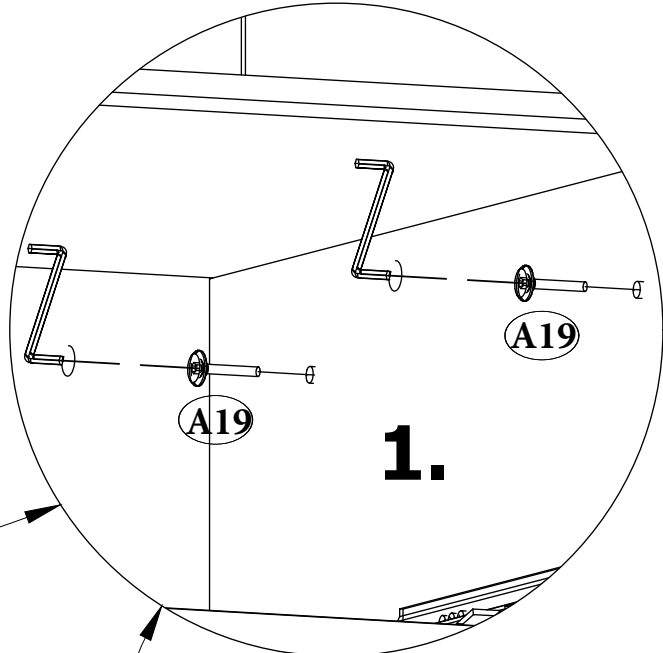


4 mm



2. ↓  
G

2. ↓  
G



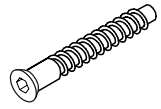
A19

1.

A19

STEP: -7

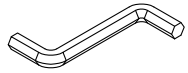
A10



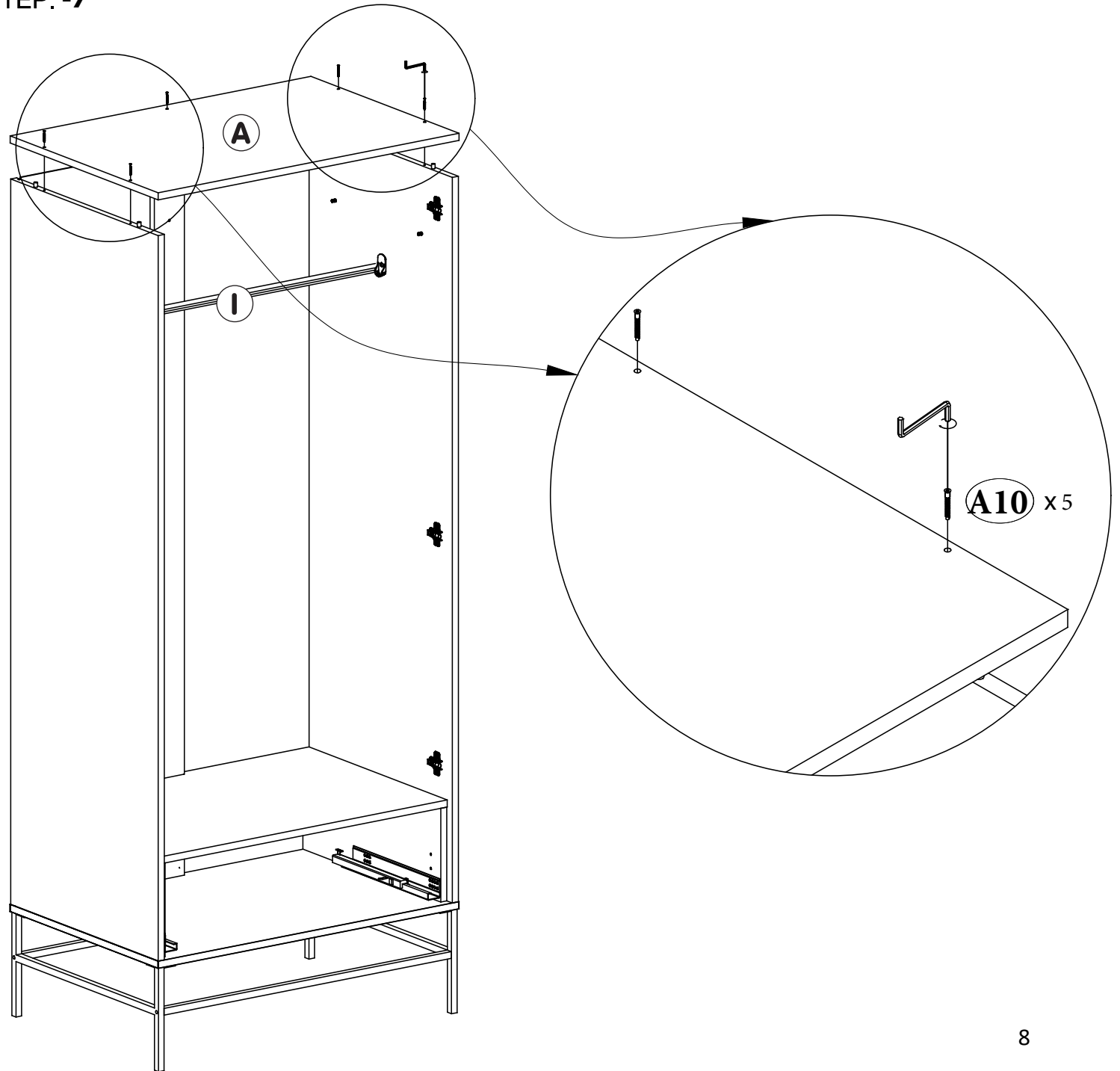
x 5

5,0 x 50 mm

A13

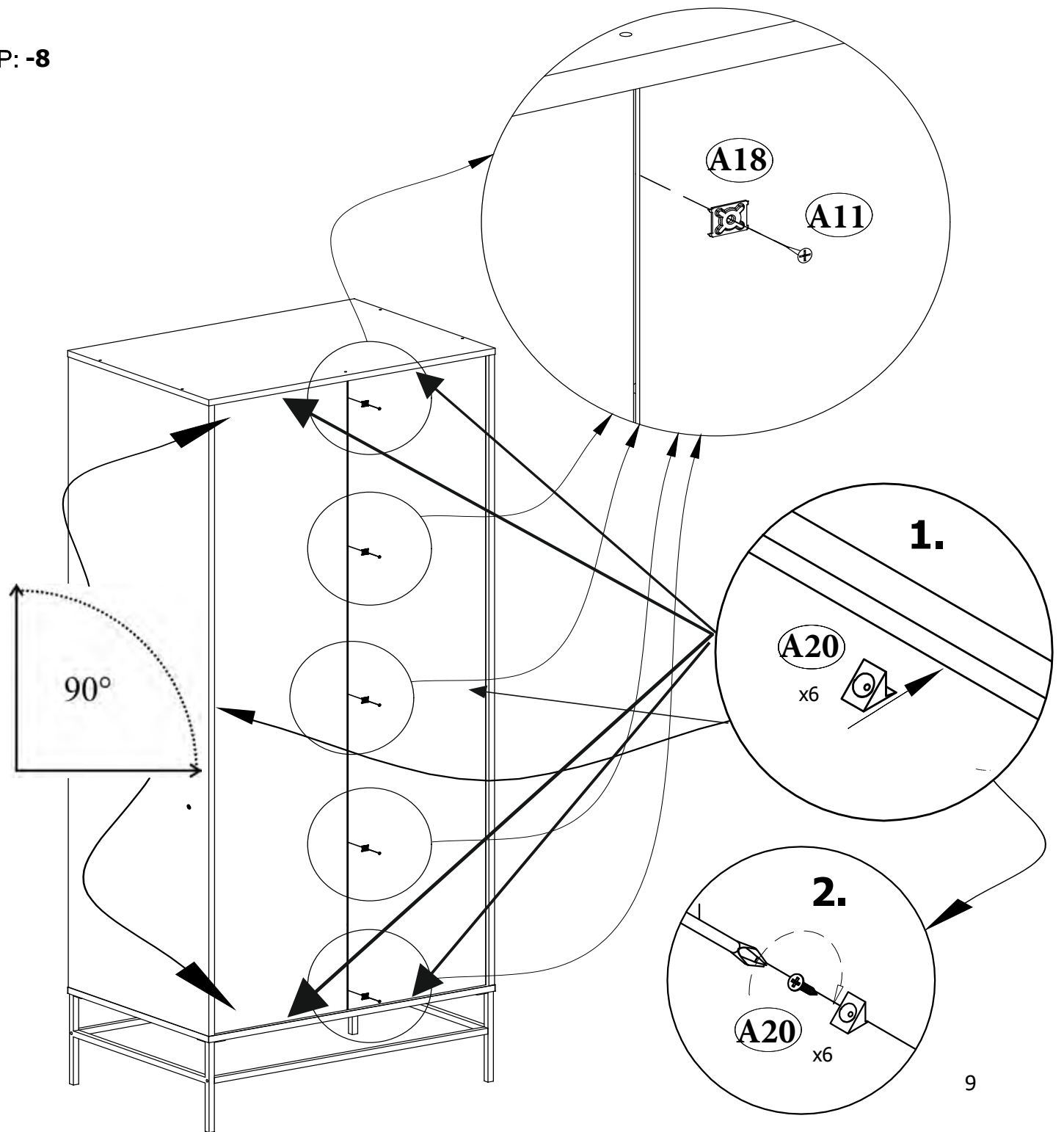
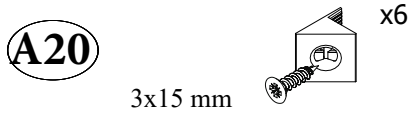
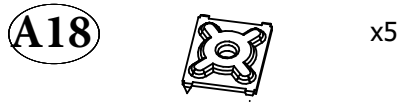
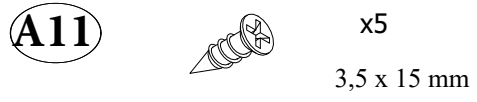


3 mm

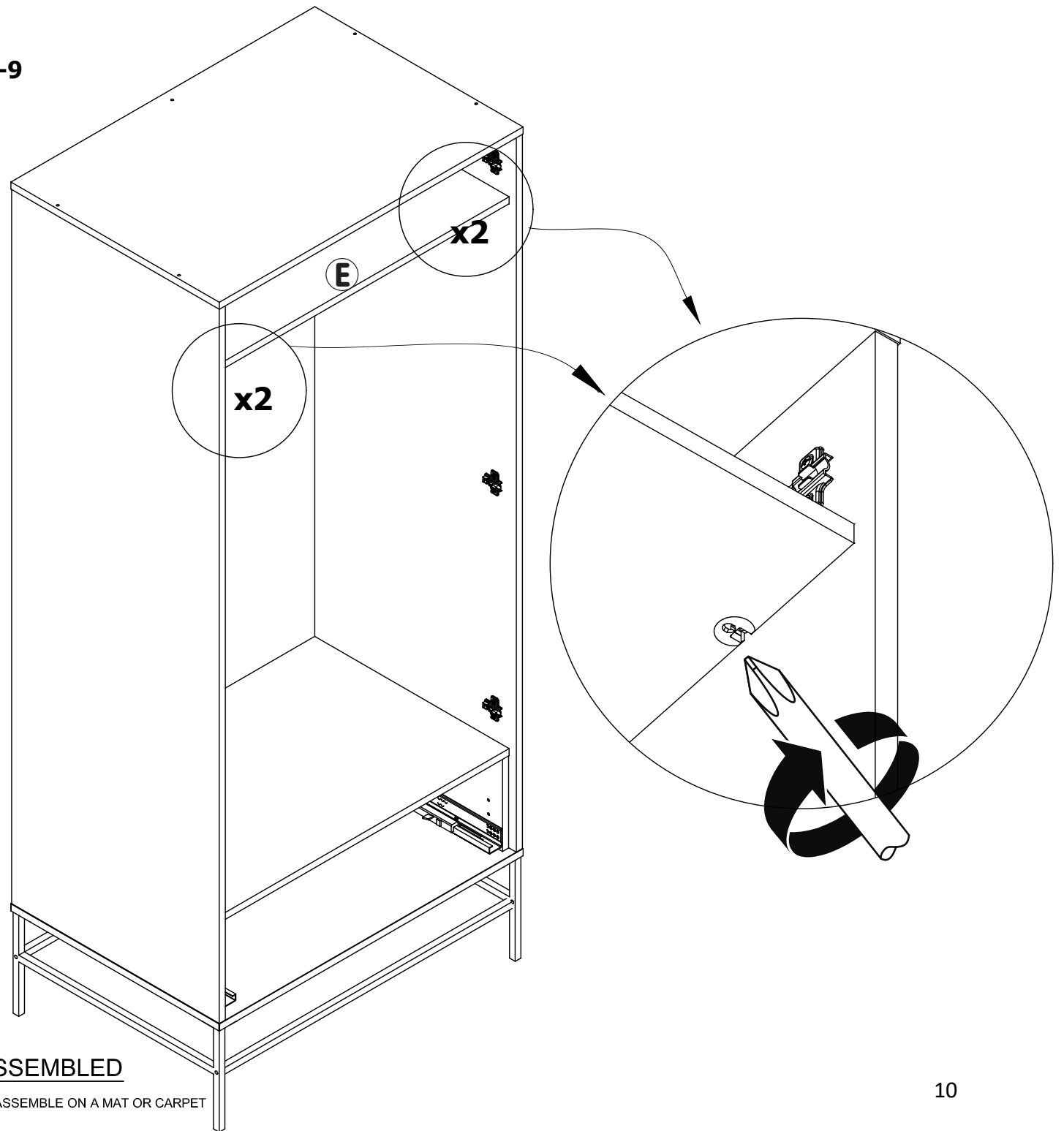
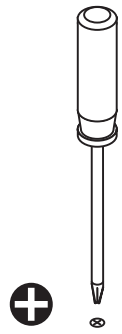




STEP: -8



STEP: -9

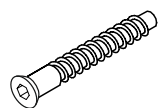


**ASSEMBLED**

NOTE:-PLEASE ASSEMBLE ON A MAT OR CARPET

**STEP: -10**

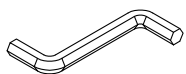
**A10**



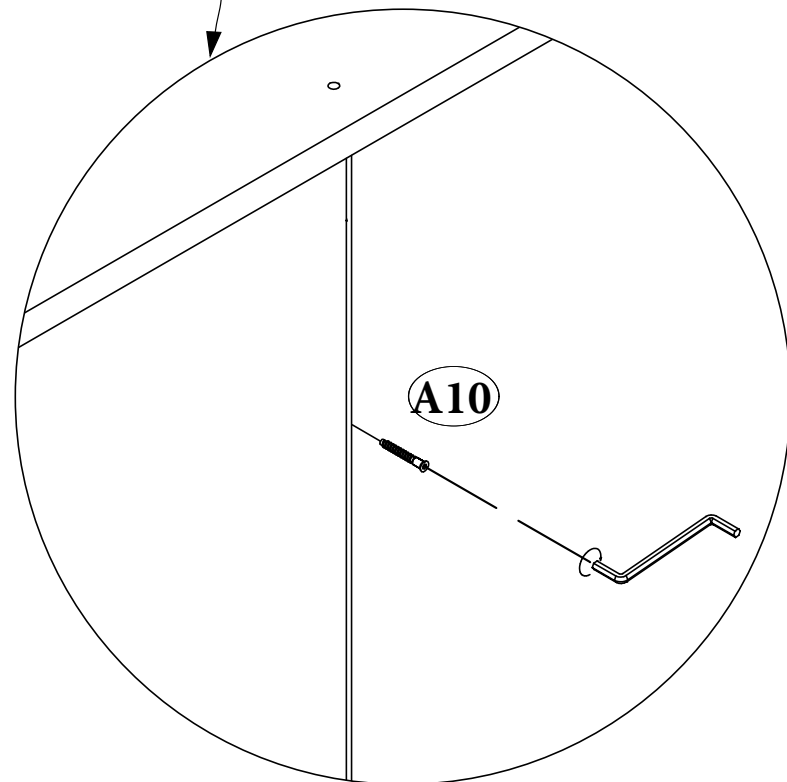
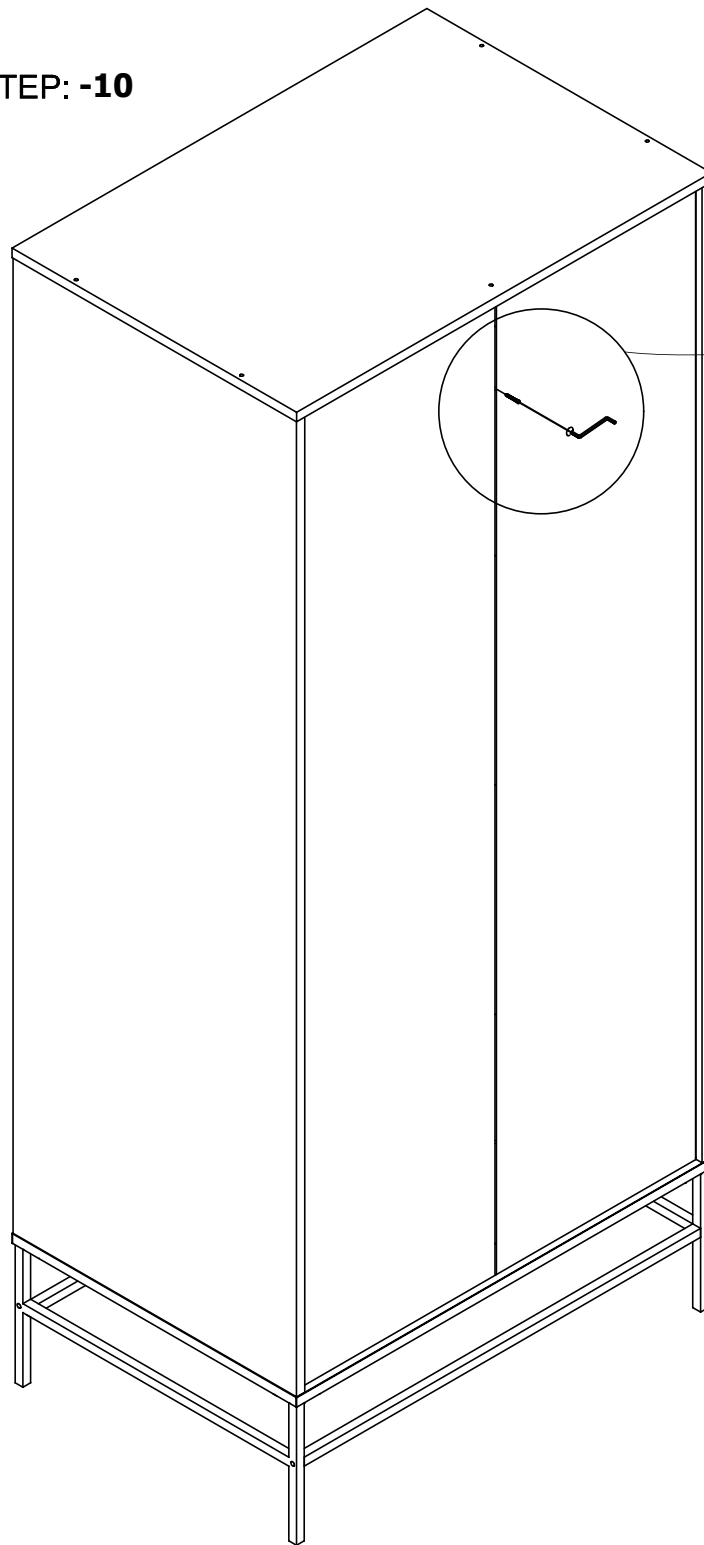
x1

5,0 x 50 mm

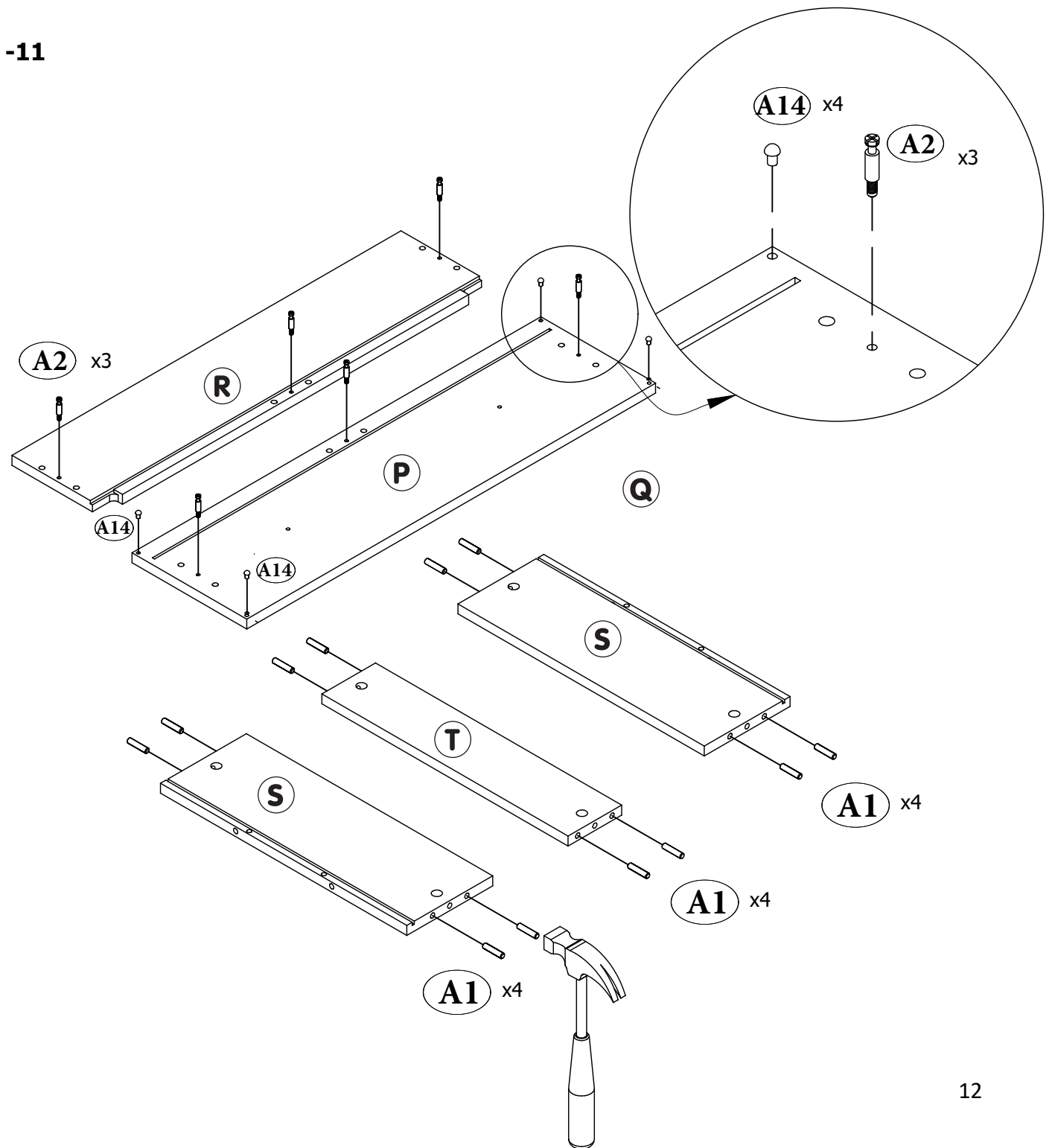
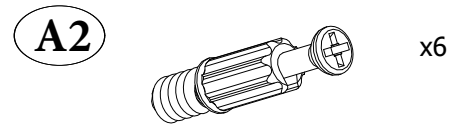
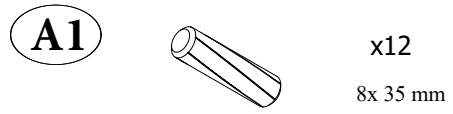
**A13**



3 mm



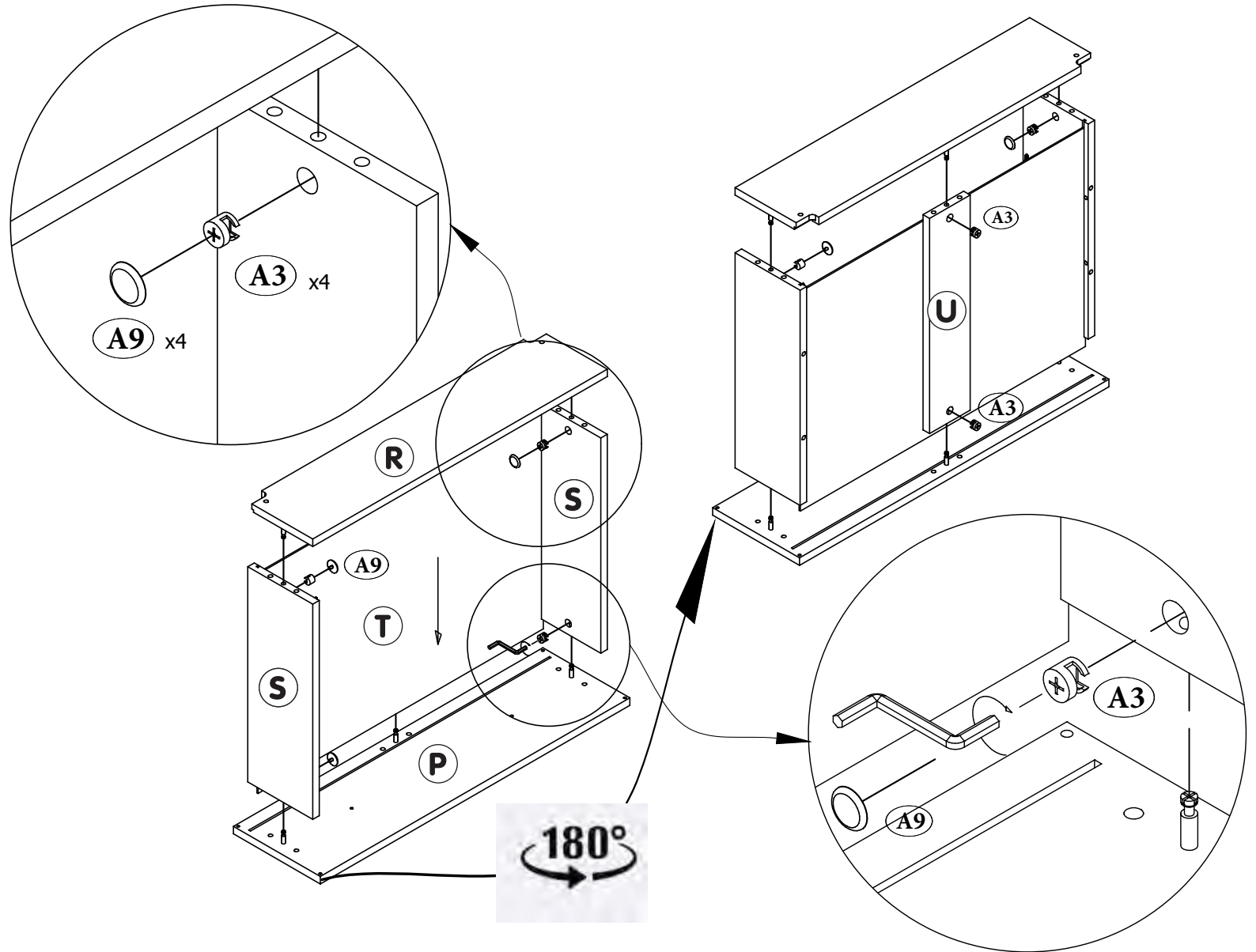
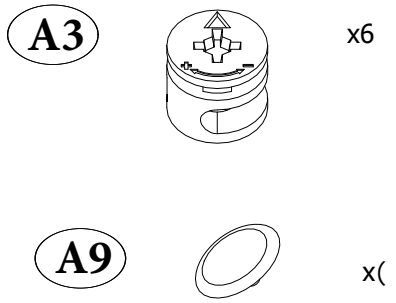
STEP: -11



ASSEMBLED

NOTE:-PLEASE ASSEMBLE ON A MAT OR CARPET

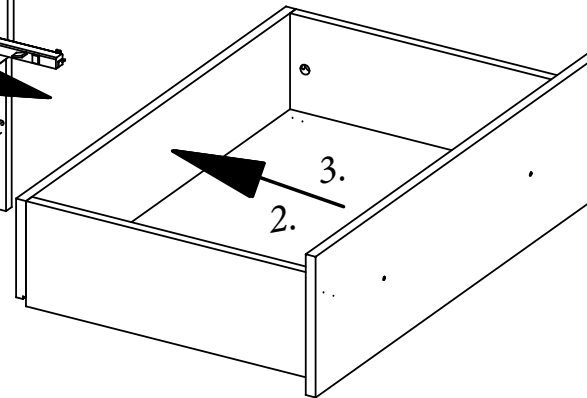
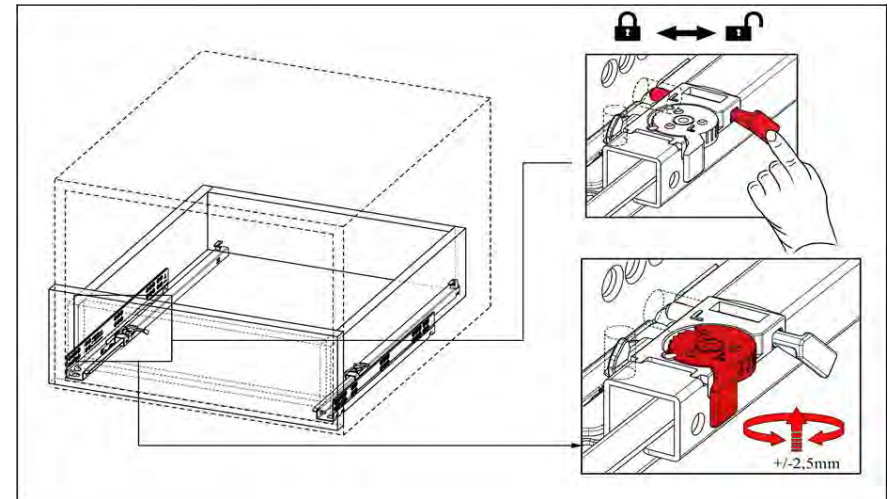
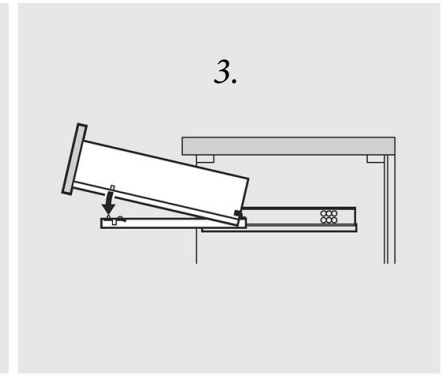
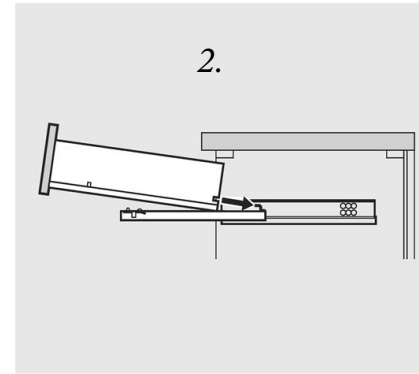
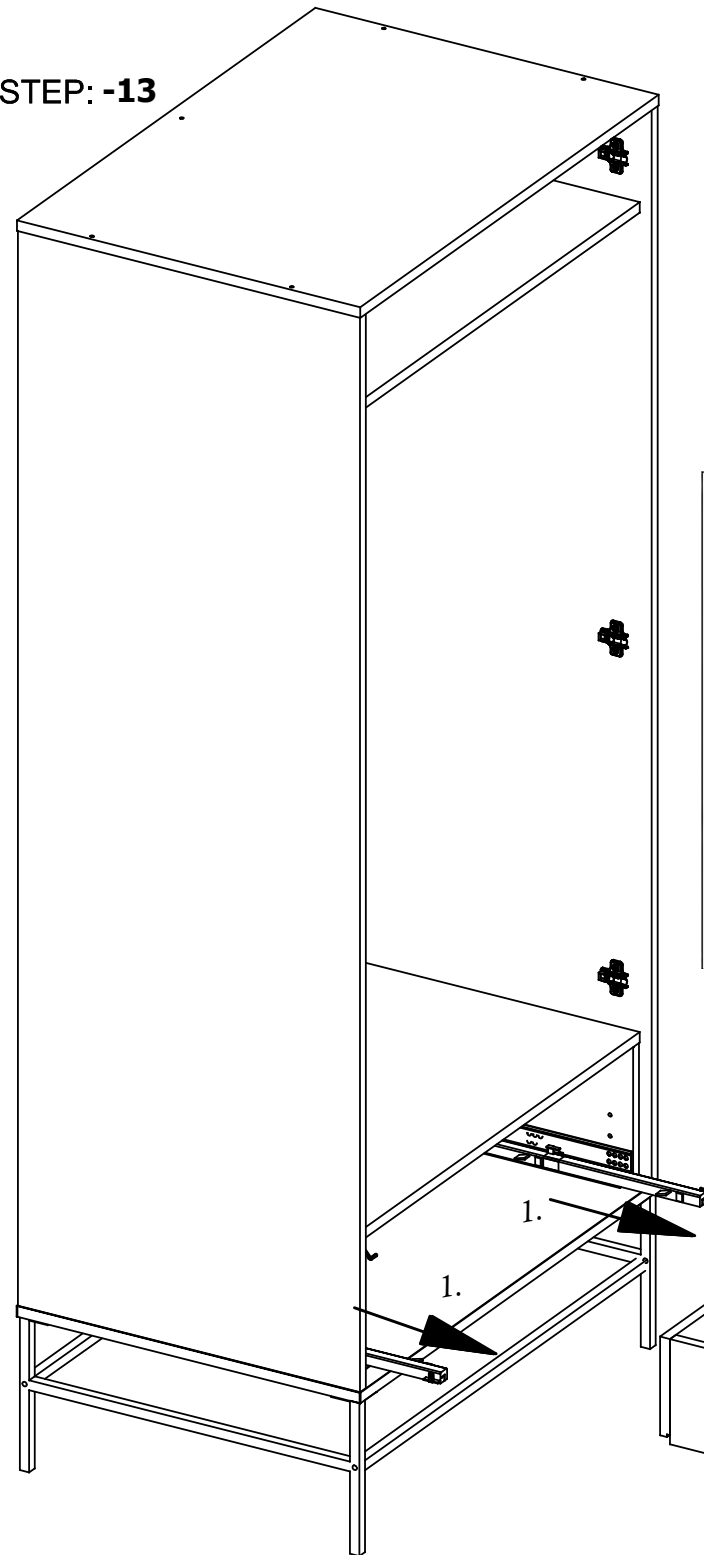
STEP: -12



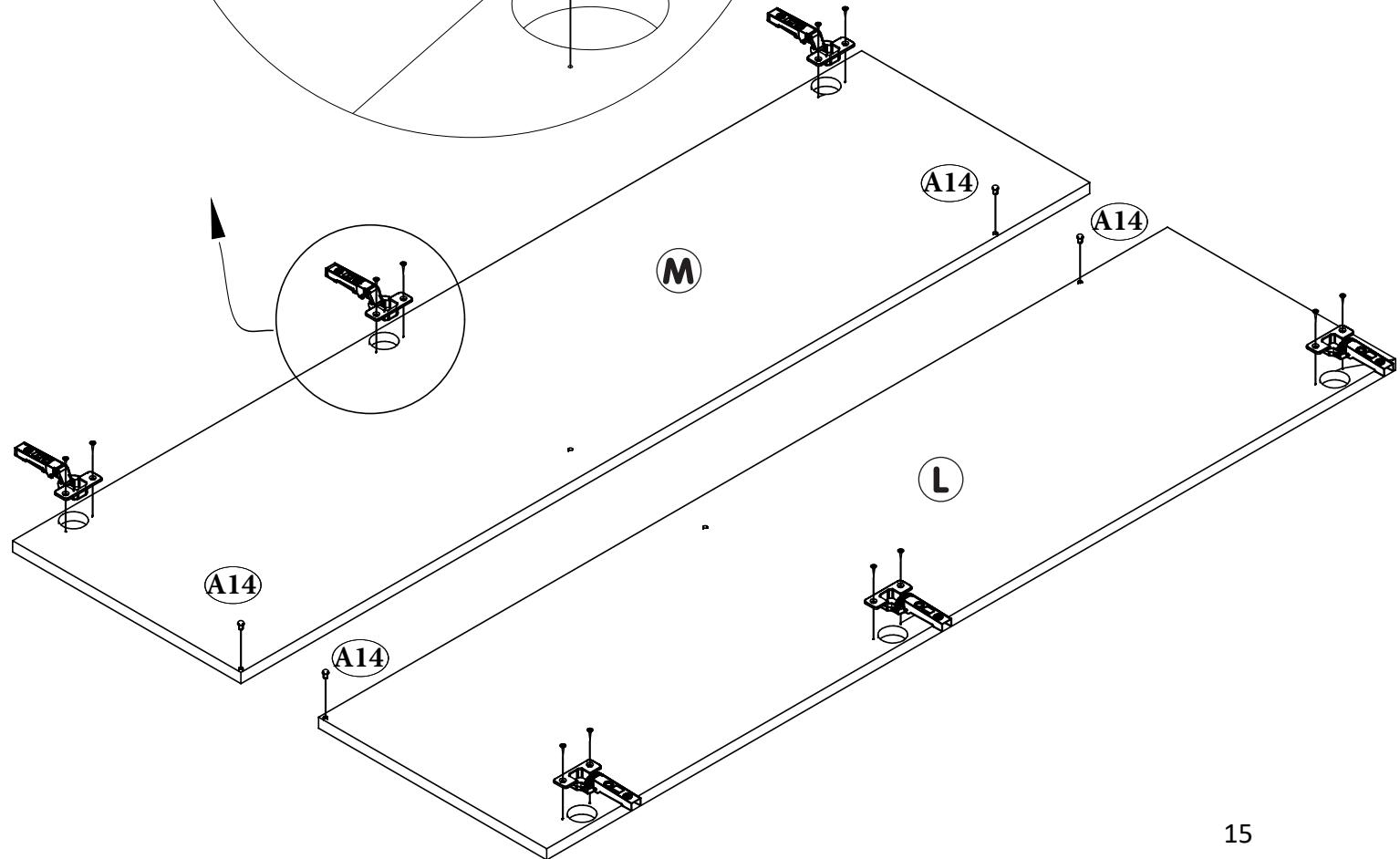
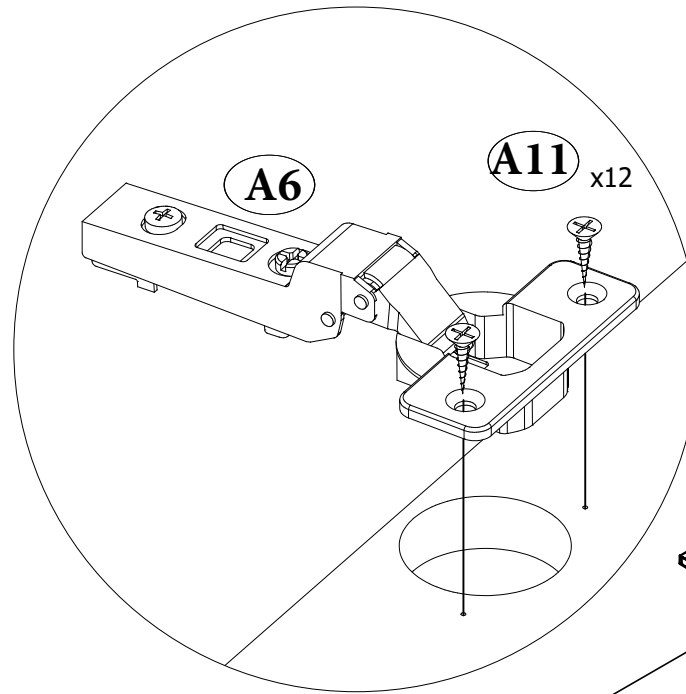
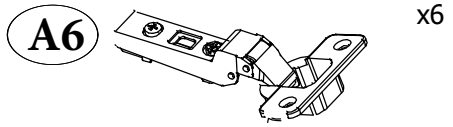
**ASSEMBLED**

NOTE:-PLEASE ASSEMBLE ON A MAT OR CARPET

STEP: -13

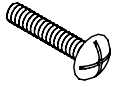
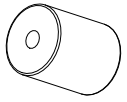


STEP: -14

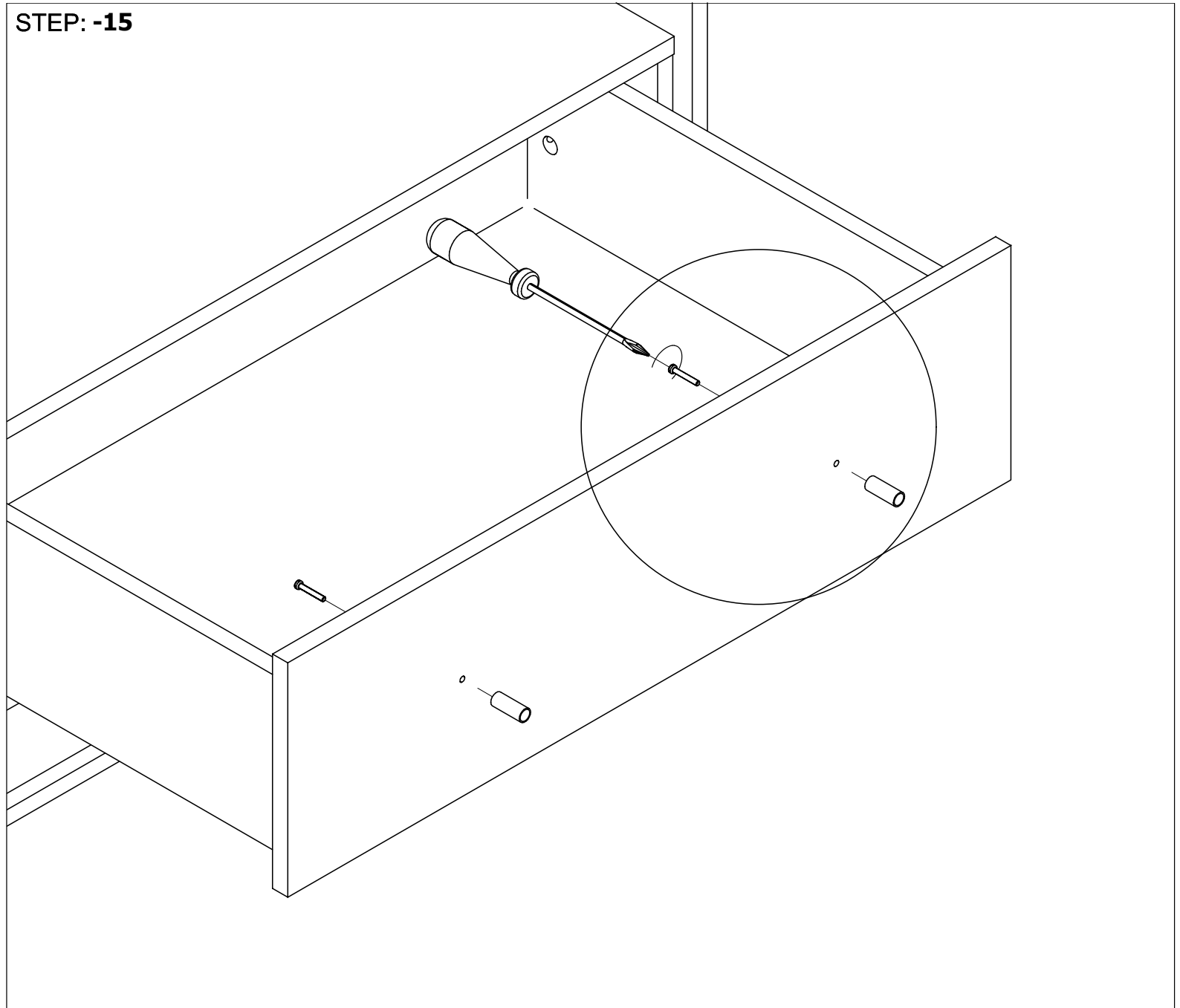


**STEP: -15**

**A17**



x2  
M4 x 25 mm



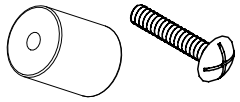
**ASSEMBLED**

NOTE:-PLEASE ASSEMBLE ON A MAT OR CARPET

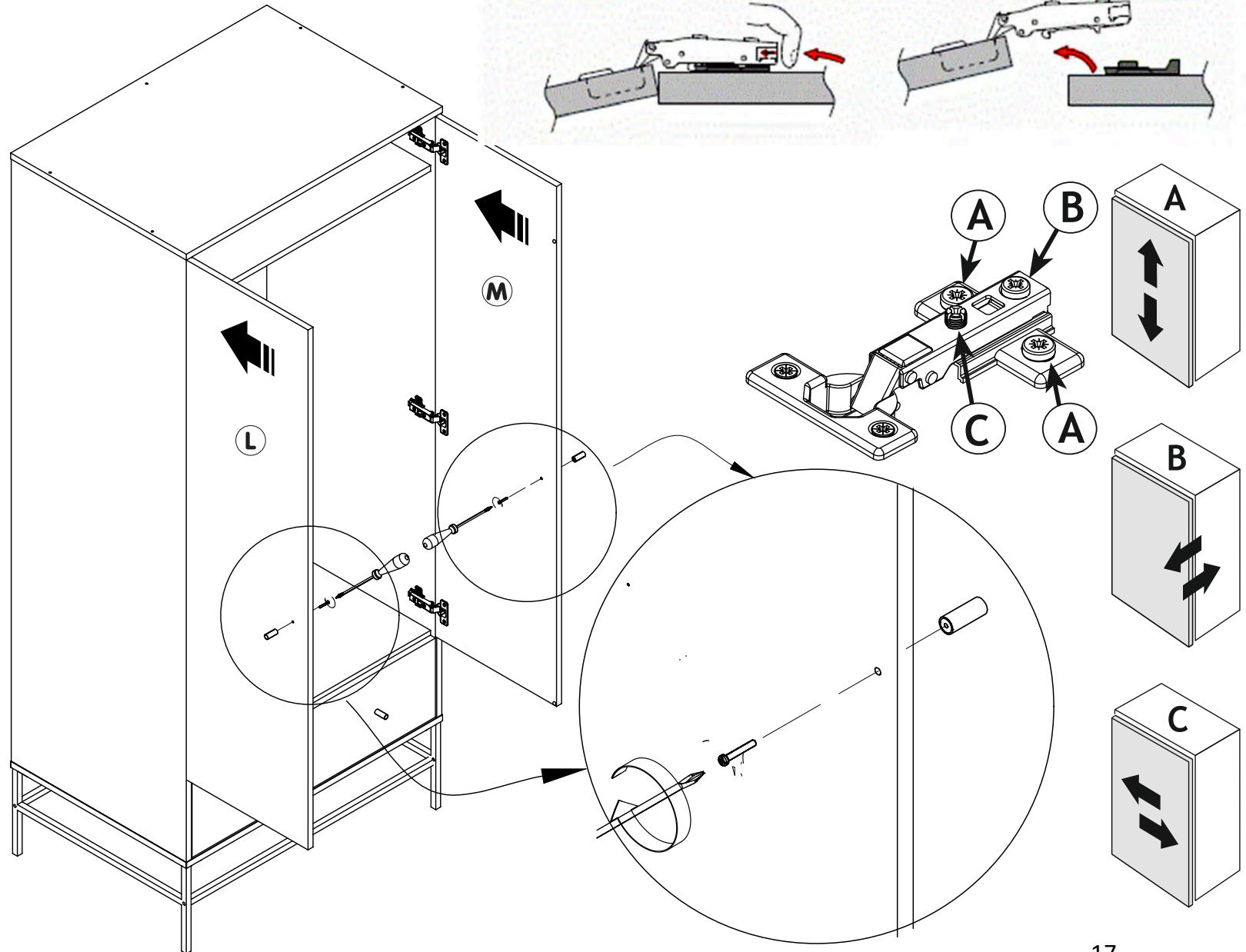
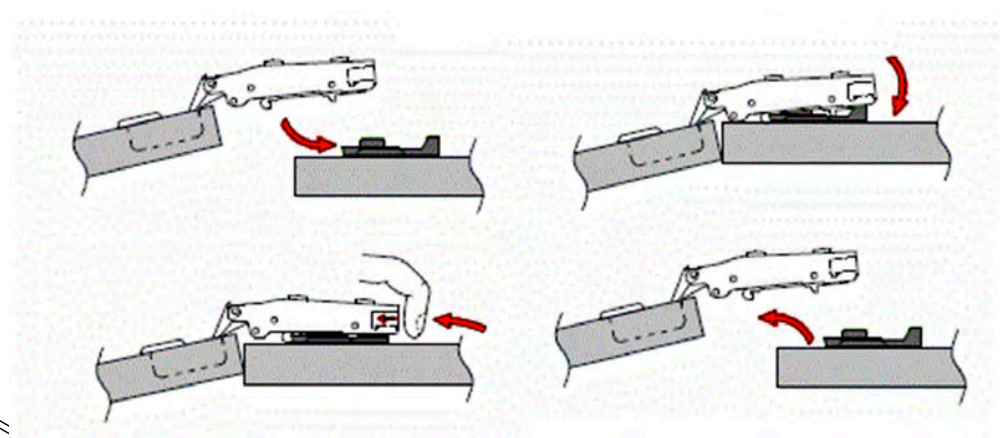


STEP: -16

A17



x2  
M4 x 25 mm



ASSEMBLED

NOTE:-PLEASE ASSEMBLE ON A MAT OR CARPET

STEP: -17

A11

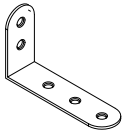


x4  
3,5 x 15 mm



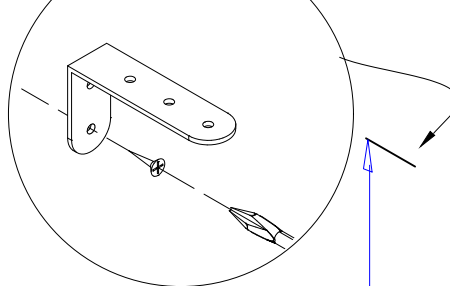
**Warning : This Piece of Furniture Must Be Attached To The Wall Using The Wall Brackets Provided"**

A15



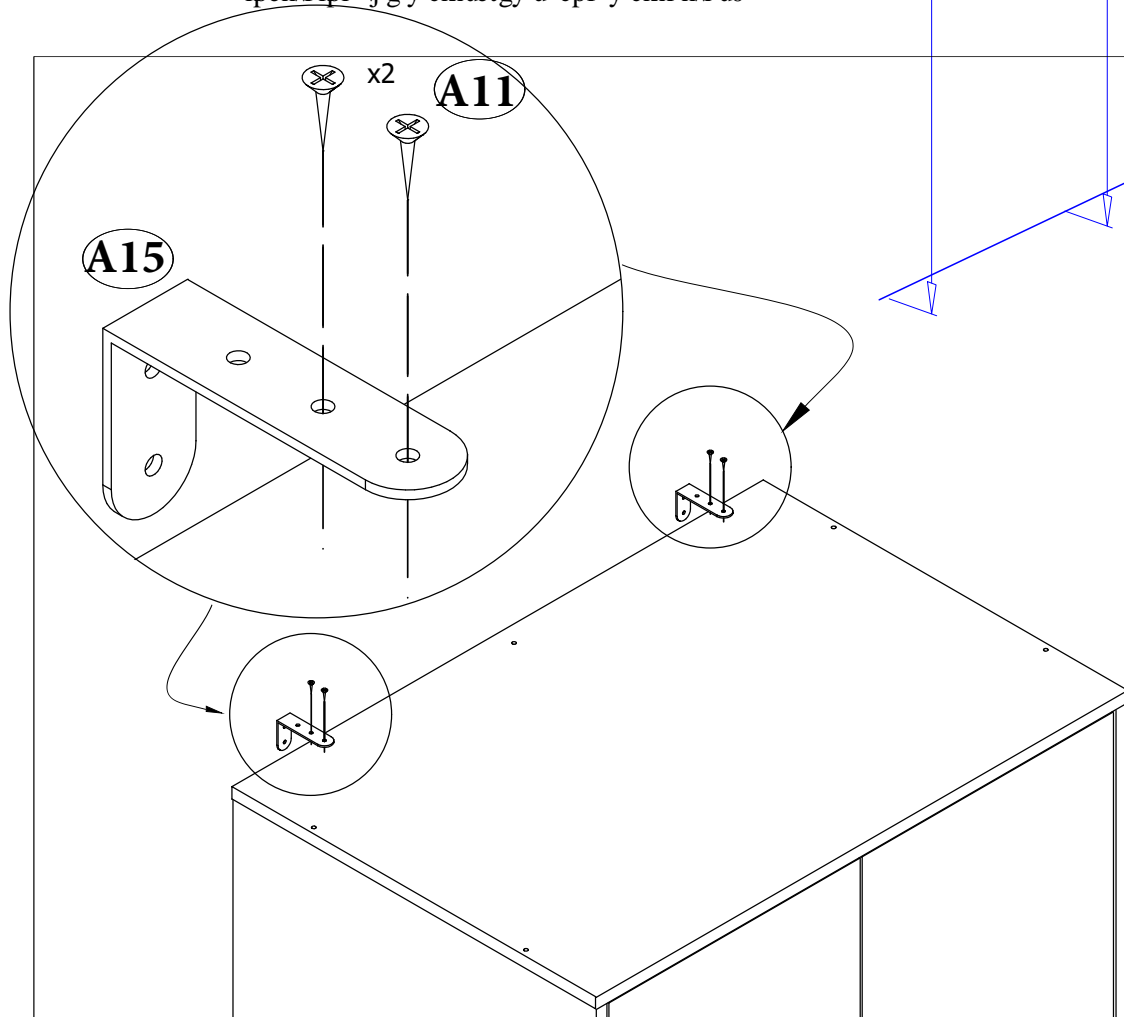
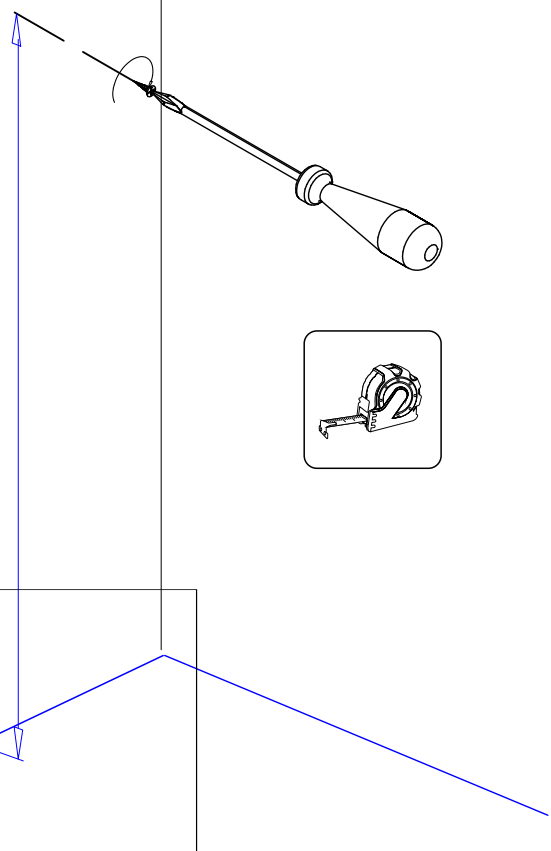
x2

Cwcej kpi "dtegwu"q"y cni"/r rccug'tgo go dgt"  
{qw'o wu'uqwtg"cpf "uwr r n' "y g'hk kpi u'hqt"  
cwcej kpi "q" {qwt'r ct'kwrt "v' r g'qh'y cni"  
kpenf kpi "y' g'y cni'etgy u"cpf "y cni'r ni u0



1870 mm

1870 mm



**ASSEMBLED**

NOTE:-PLEASE ASSEMBLE ON A MAT OR CARPET