

# **ASSEMBLY INSTRUCTION**

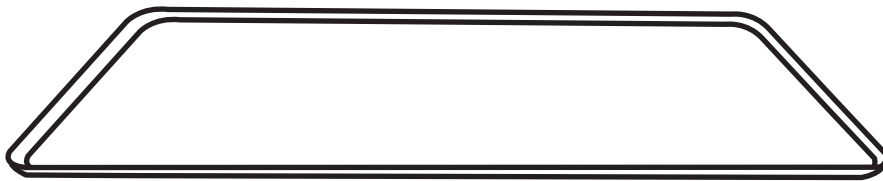
**ITEM NAME : Walter Shelf, Black, Iron**

**ITEM NO. : 82045284**

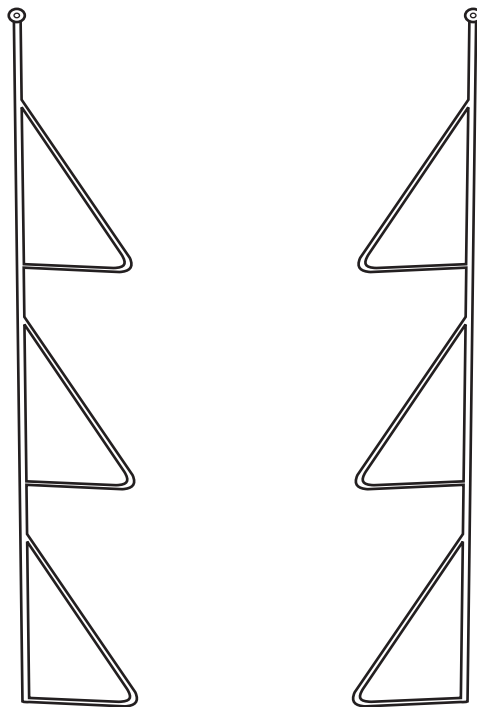
## **PRODUCT IMAGE**



# COMPONENT LIST



**1 x 3**



# COMPONENT LIST



**1 x 2**

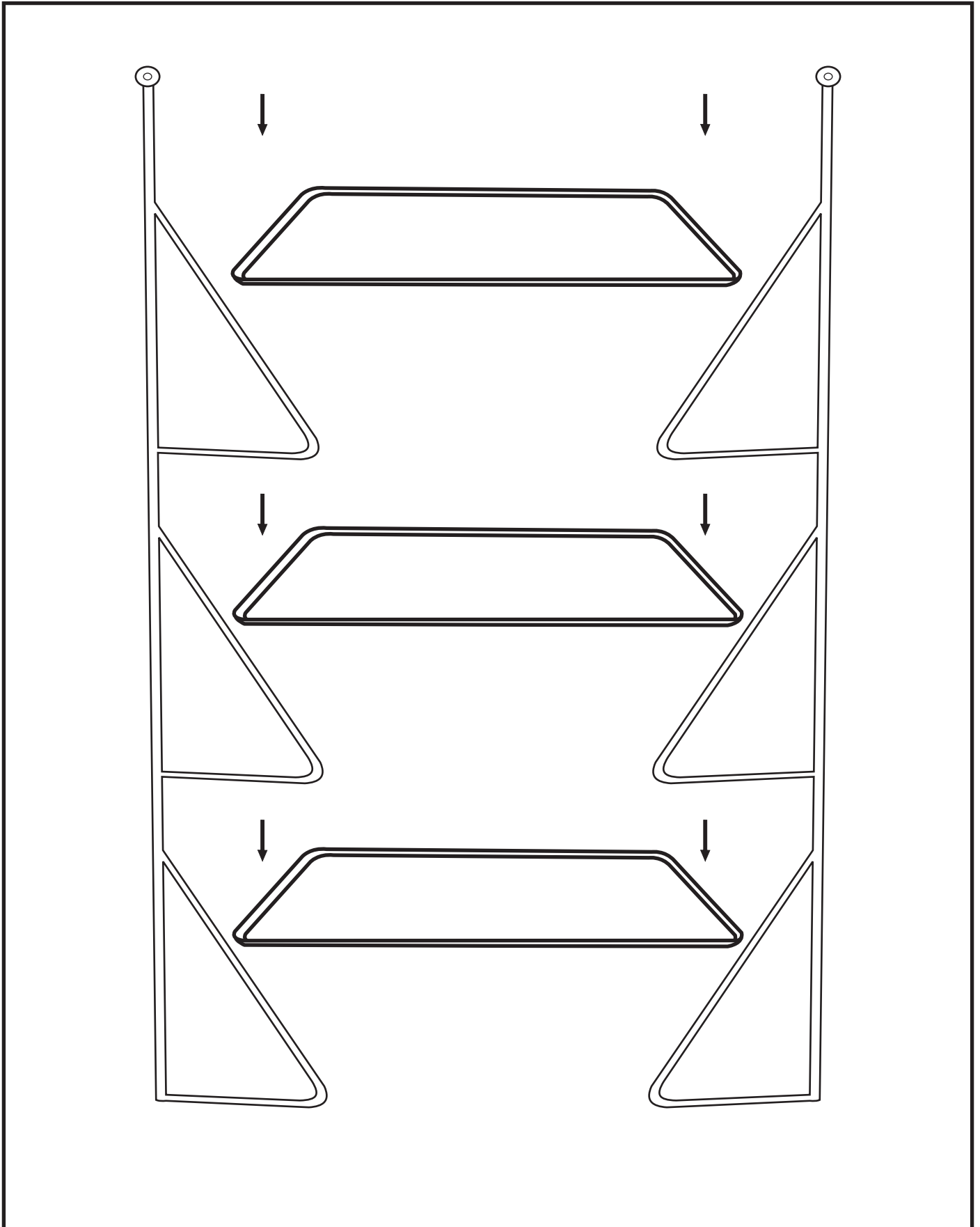
**Dia. : 7 mm L : 30 mm**

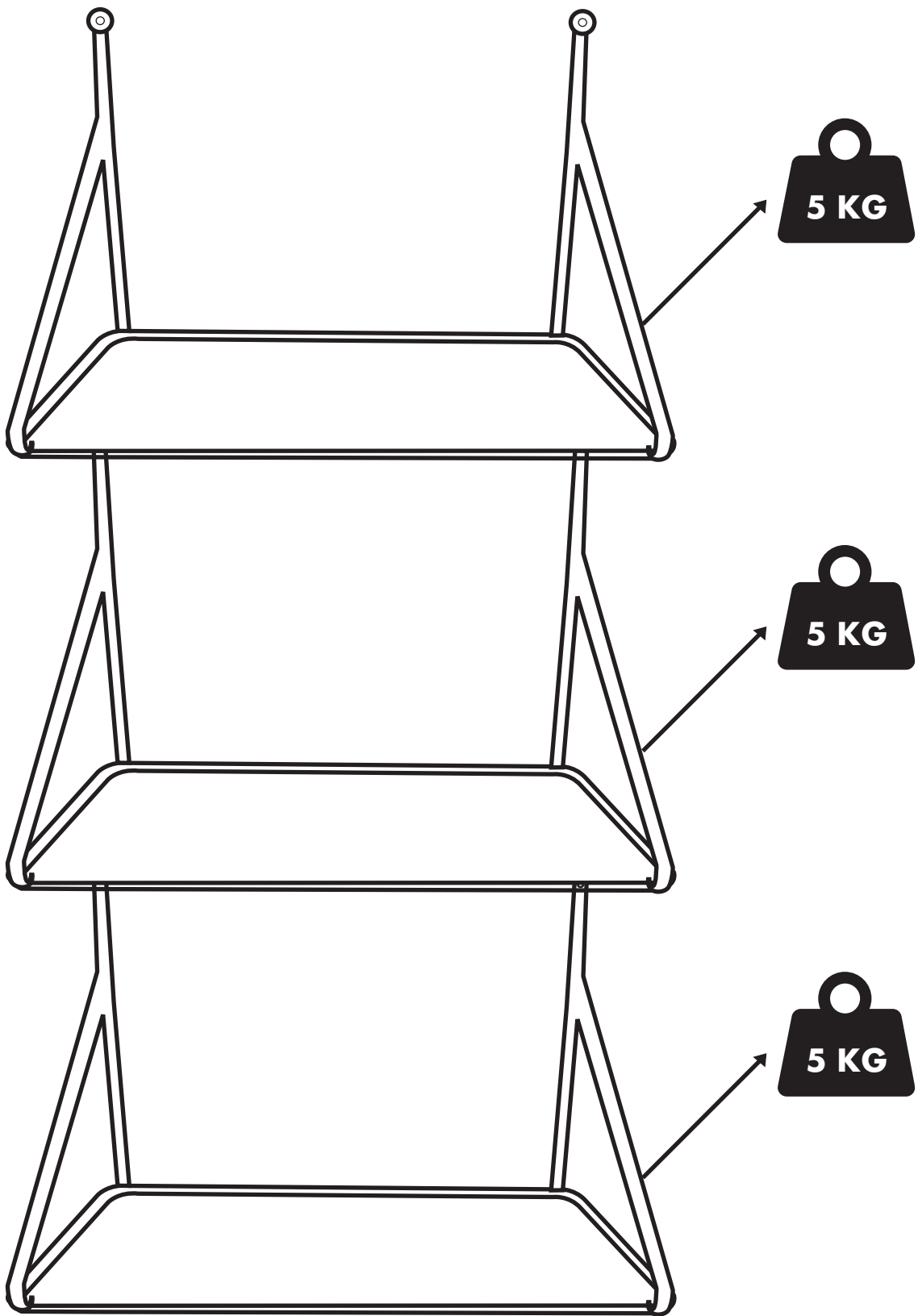


**1 x 2**

# INSTRUCTION

## Step : 1





**\*Bloomingville®**  
- EVER CHANGING HOMES