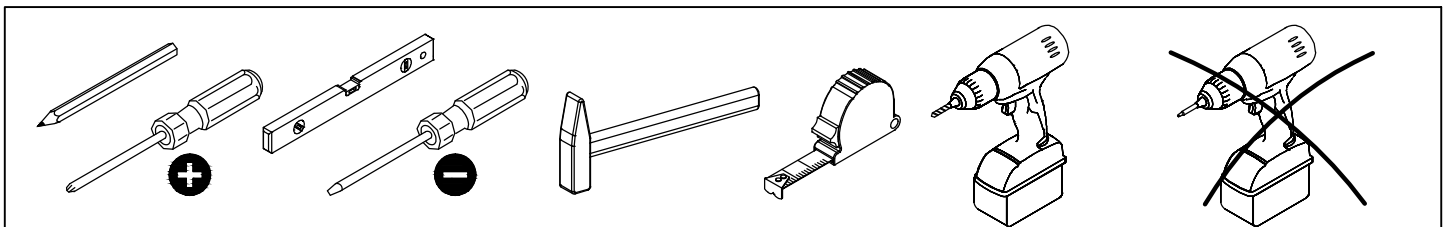
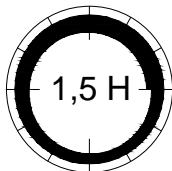
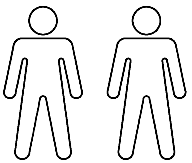
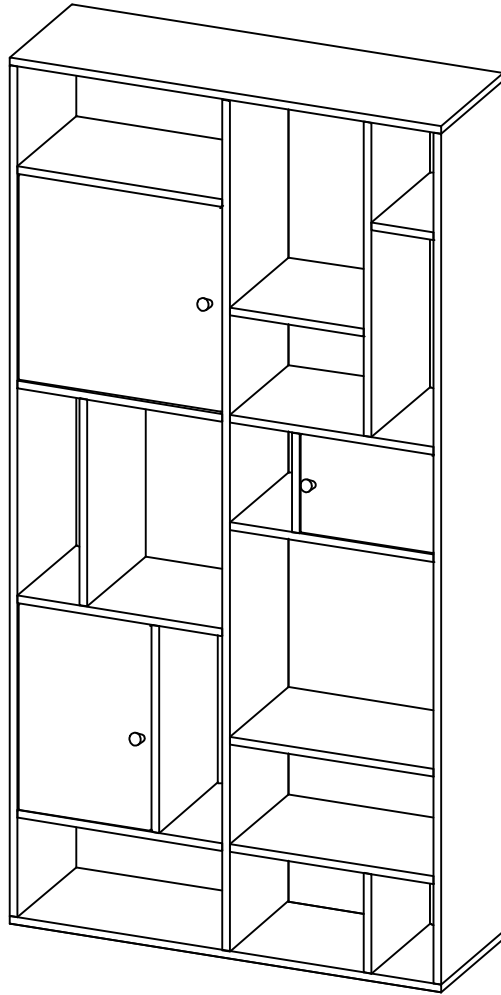
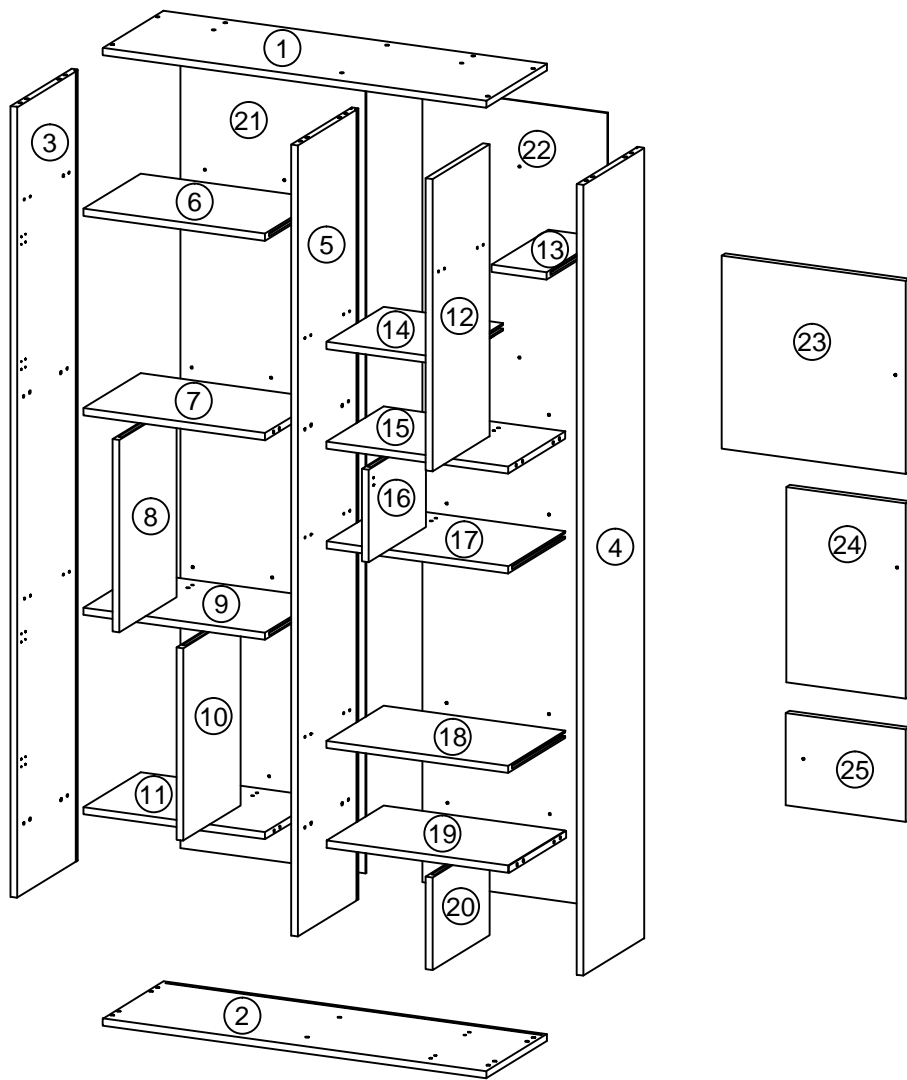


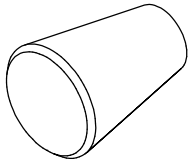
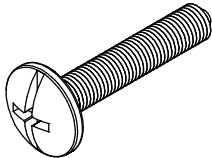
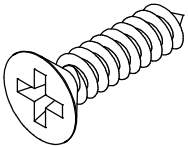
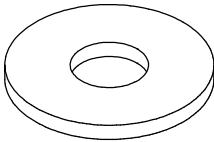
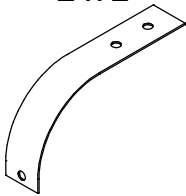
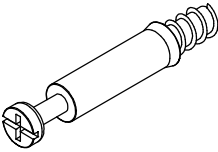
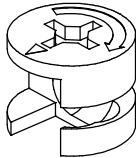
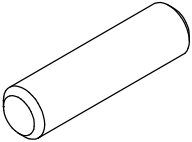
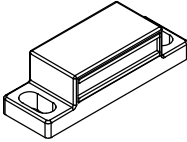
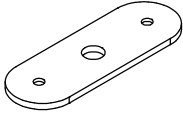
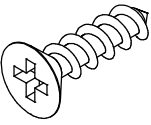
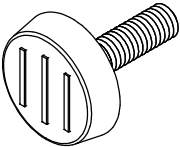
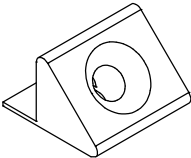
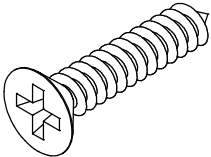
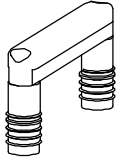
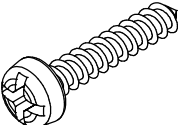
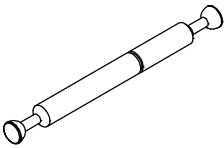
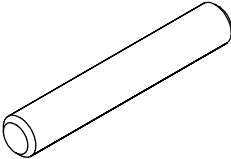
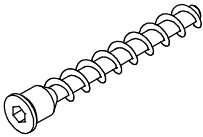
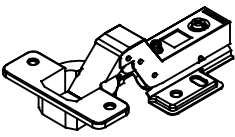
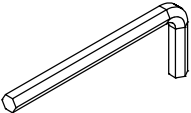
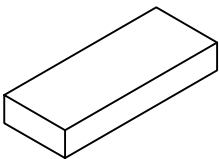
RANGOON



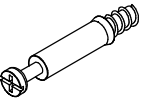
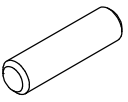
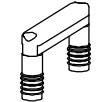
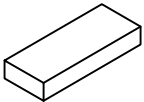
			✓
①	1	300x900x16	
②	1	300x900x26	
③	1	1758x299x16	
④	1	1758x299x16	
⑤	1	1758x299x16	
⑥	1	425x274x16	
⑦	1	425x274x16	
⑧	1	427x274x16	
⑨	1	425x274x16	
⑩	1	427x274x16	
⑪	1	425x274x16	
⑫	1	648x274x16	
⑬	1	128x274x16	

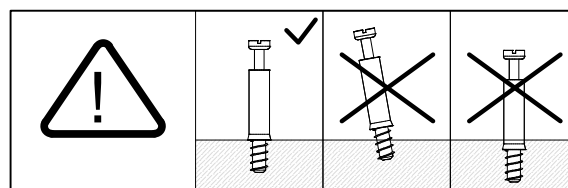
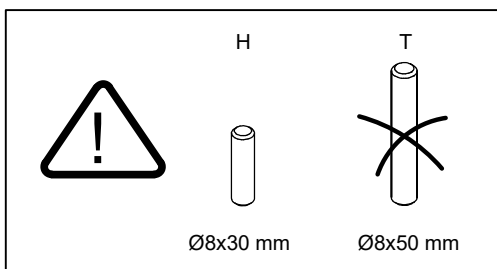
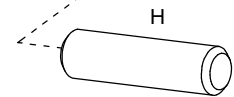
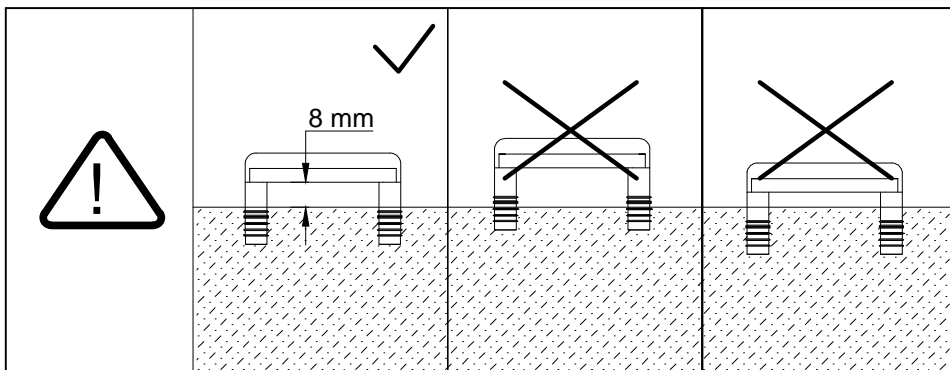
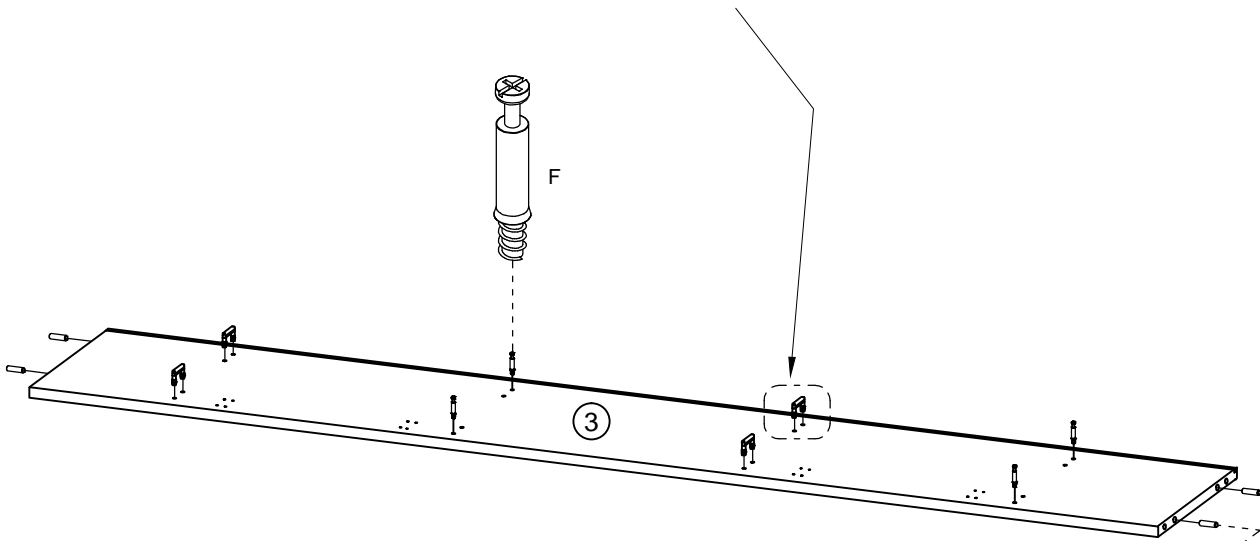
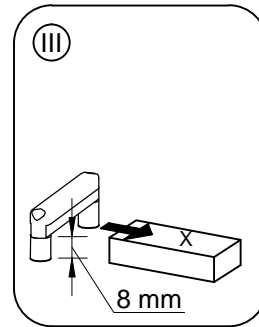
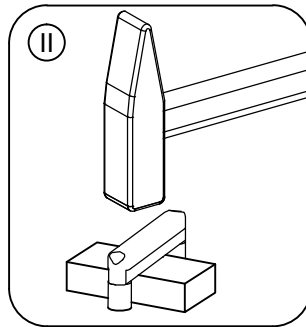
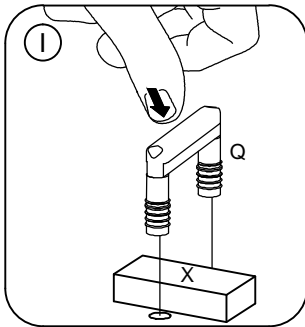
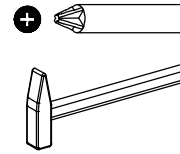
			✓
⑭	1	281x274x16	
⑮	1	425x274x16	
⑯	1	205x274x16	
⑰	1	425x274x16	
⑱	1	425x274x16	
⑲	1	425x274x16	
⑳	1	208x274x16	
㉑	1	1770x435x4	
㉒	1	1770x435x4	
㉓	1	422x418x16	
㉔	1	422x275x16	
㉕	1	200x275x16	



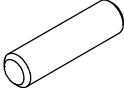
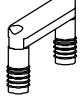
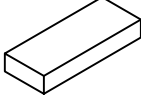
<p>A x 3</p>  <p>Ø11/Ø16x22</p>	<p>B x 3</p>  <p>M4x22 mm</p>	<p>C x 36</p>  <p>Ø4x15 mm</p>	<p>D x 24</p>  <p>Ø4/Ø12 mm</p>	<p>E x 2</p>  <p>150x26 mm</p>
<p>F x 8</p>  <p>Ø6/34 mm</p>	<p>G x 16</p>  <p>Ø15x11 mm</p>	<p>H x 20</p>  <p>Ø8x30 mm</p>	<p>J x 3</p>  <p>46x15 mm</p>	<p>K x 3</p>  <p>35x12 mm</p>
<p>L x 3</p>  <p>Ø3x12 mm</p>	<p>M x 4</p>  <p>M8/Ø25x7 mm</p>	<p>N x 24</p>  <p>15x15x10 mm</p>	<p>P x 24</p>  <p>Ø4x20mm</p>	<p>Q x 44</p>  <p>40x29/Ø8 mm</p>
<p>R x 28</p>  <p>Ø3x15 mm</p>	<p>S x 4</p>  <p>Ø7x84 mm</p>	<p>T x 4</p>  <p>Ø8x50 mm</p>	<p>U x 12</p>  <p>Ø7/Ø10x60 mm</p>	<p>V x 6</p>  <p>Ø26/FK17</p>
<p>W x 1</p>  <p>4 mm</p>	<p>X x 1</p>  <p>50x20x8 mm</p>			

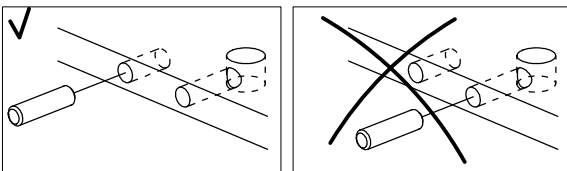
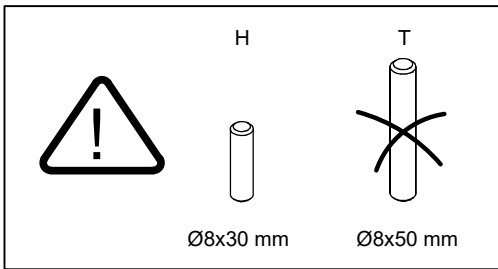
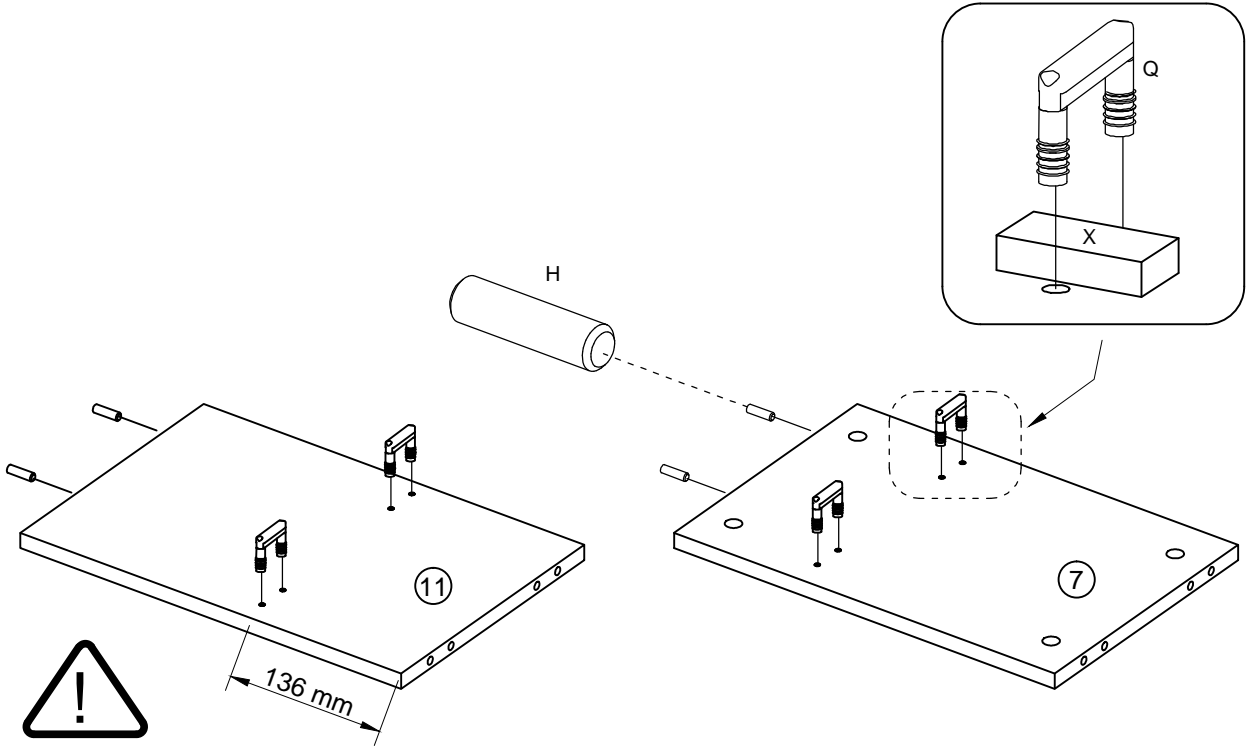
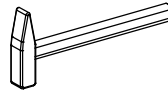
1

F x 4  Ø6/34 mm	H x 4  Ø8x30 mm	Q x 4  40x29/Ø8 mm	X x 1  50x20x8 mm
--	--	---	--

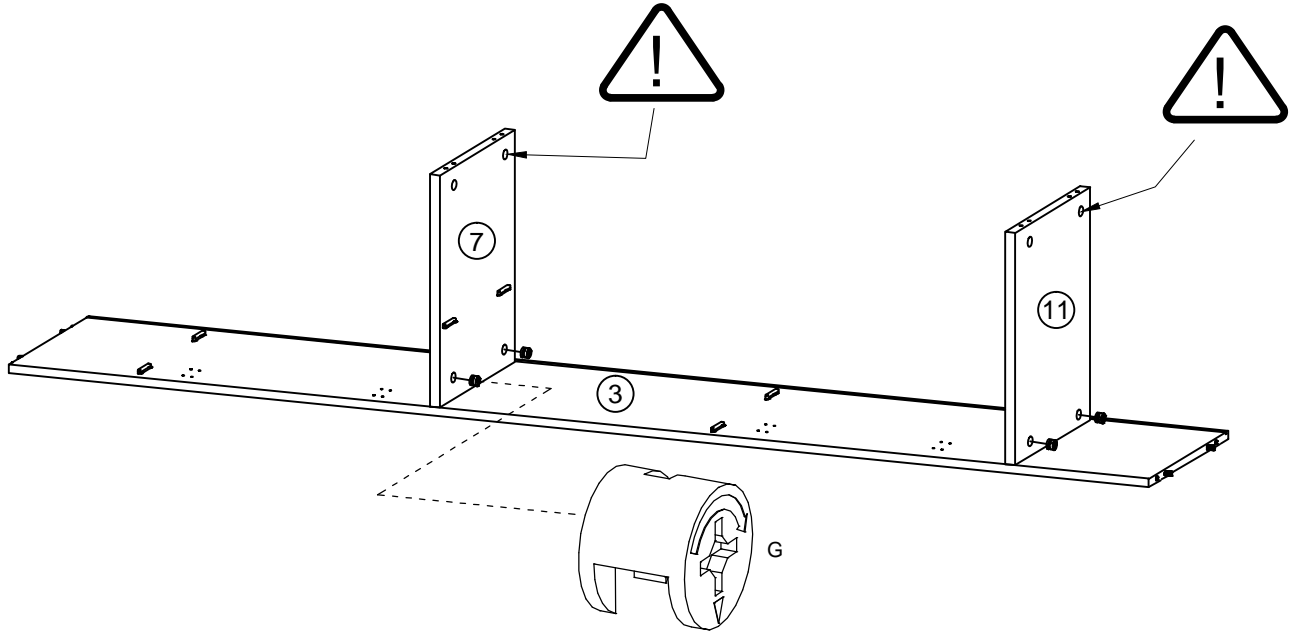
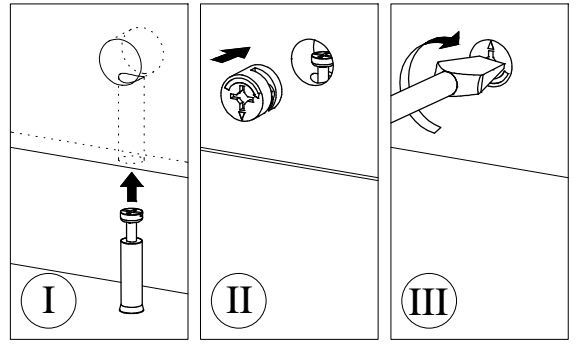
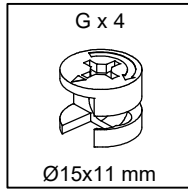


2

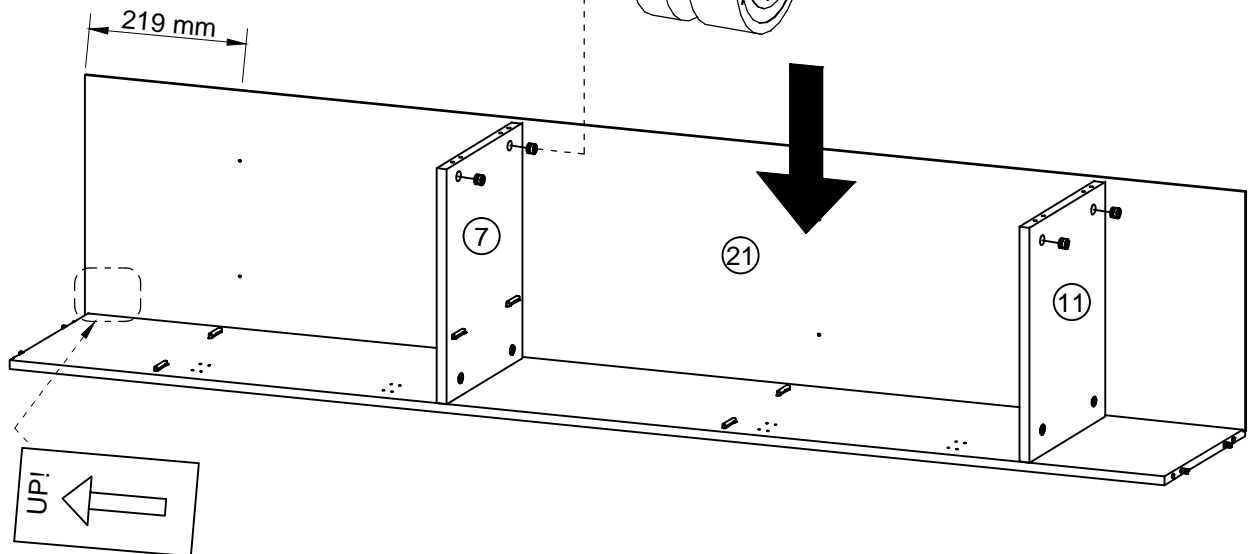
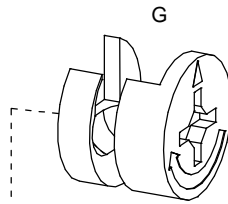
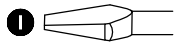
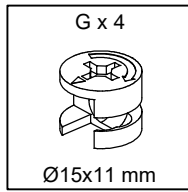
H x 4  Ø8x30 mm	Q x 4  40x29/Ø8 mm	X x 1  50x20x8 mm
--	---	--



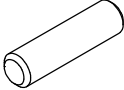
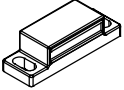
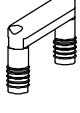
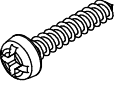
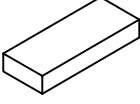
3

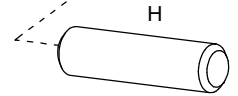
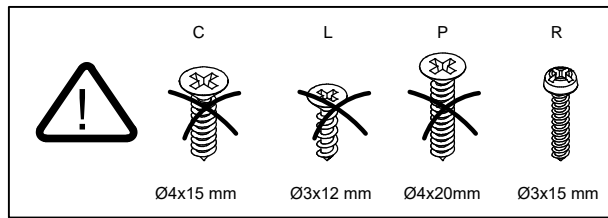
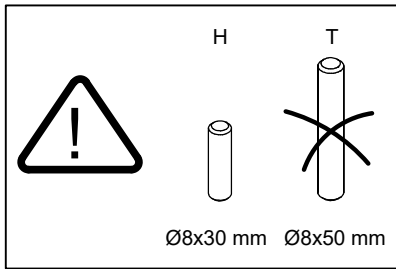
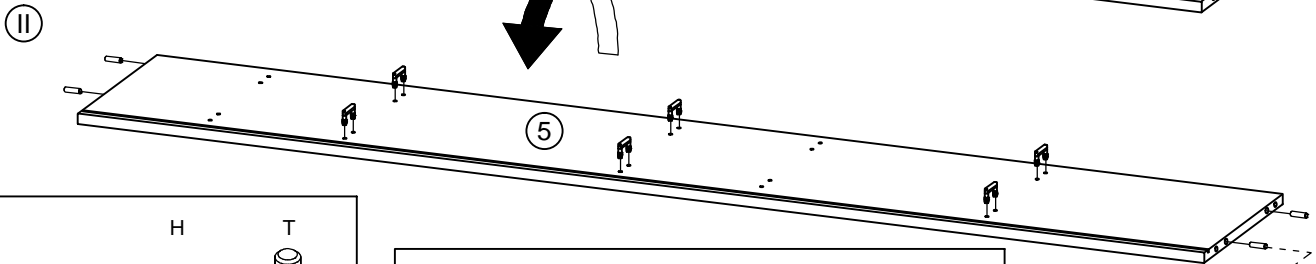
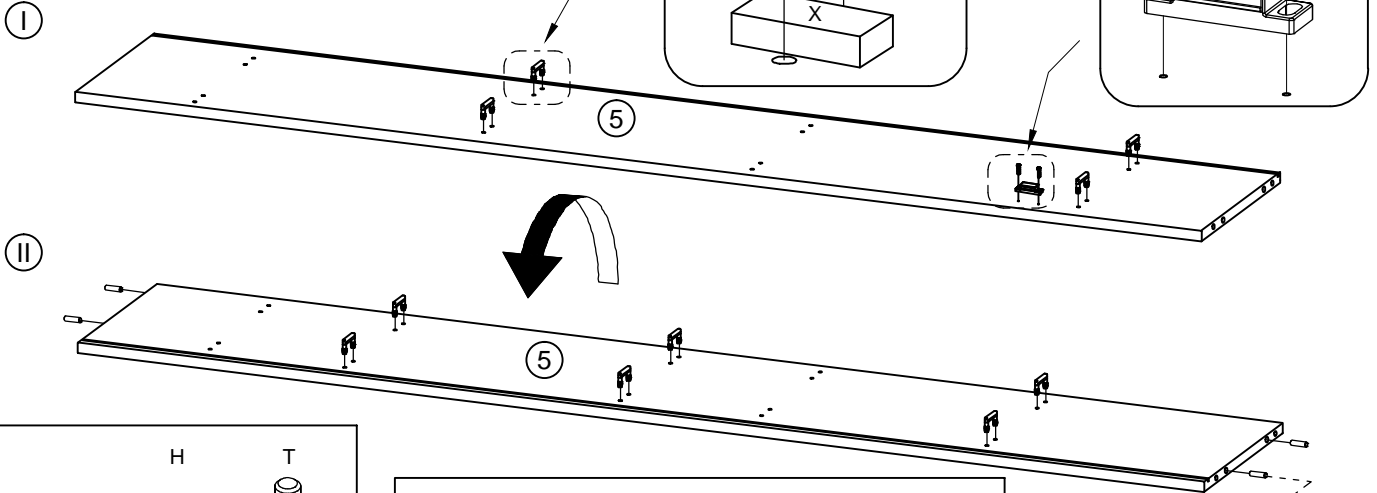
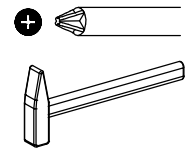


4

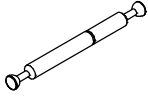
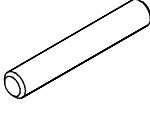


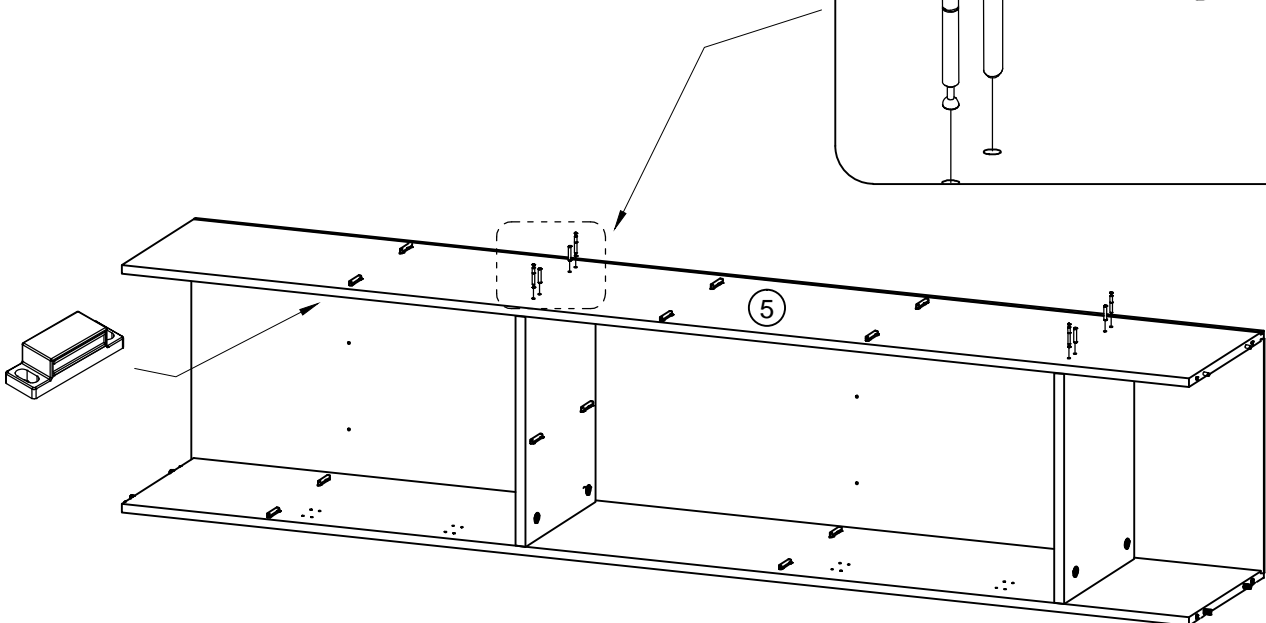
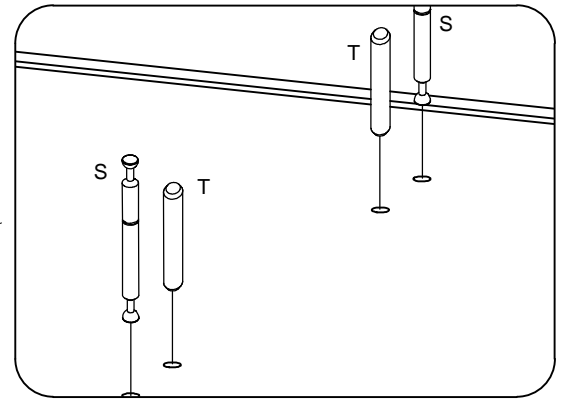
5

H x 4  Ø8x30 mm	J x 1  46x15 mm	Q x 10  40x29/Ø8 mm	R x 2  Ø3x15 mm	X x 1  50x20x8 mm
--	--	--	--	--

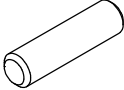
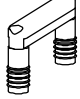
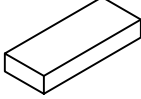


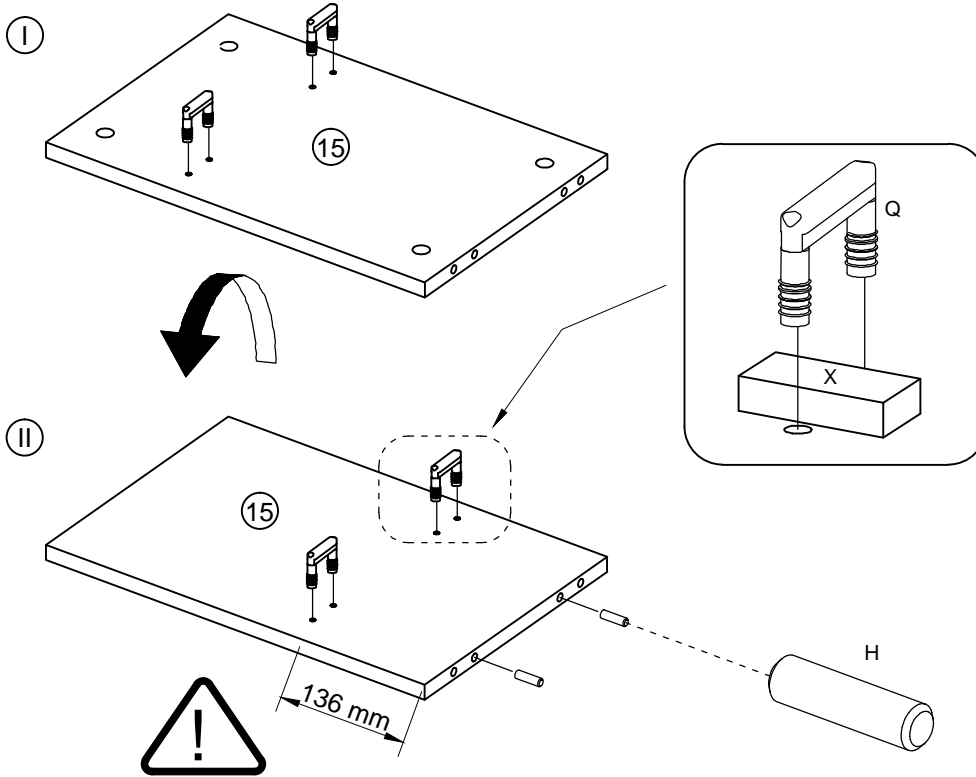
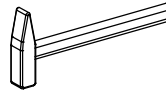
6

S x 4  Ø7x84 mm	T x 4  Ø8x50 mm
--	--

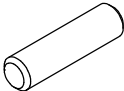
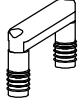
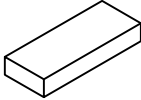


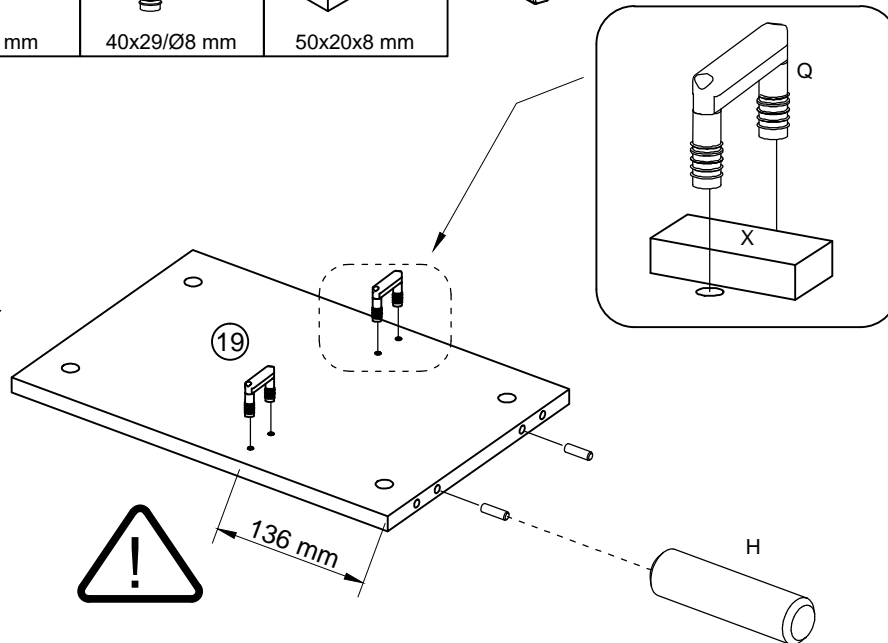
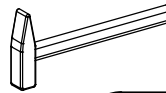
7

H x 2  Ø8x30 mm	Q x 4  40x29/Ø8 mm	X x 1  50x20x8 mm
--	---	--

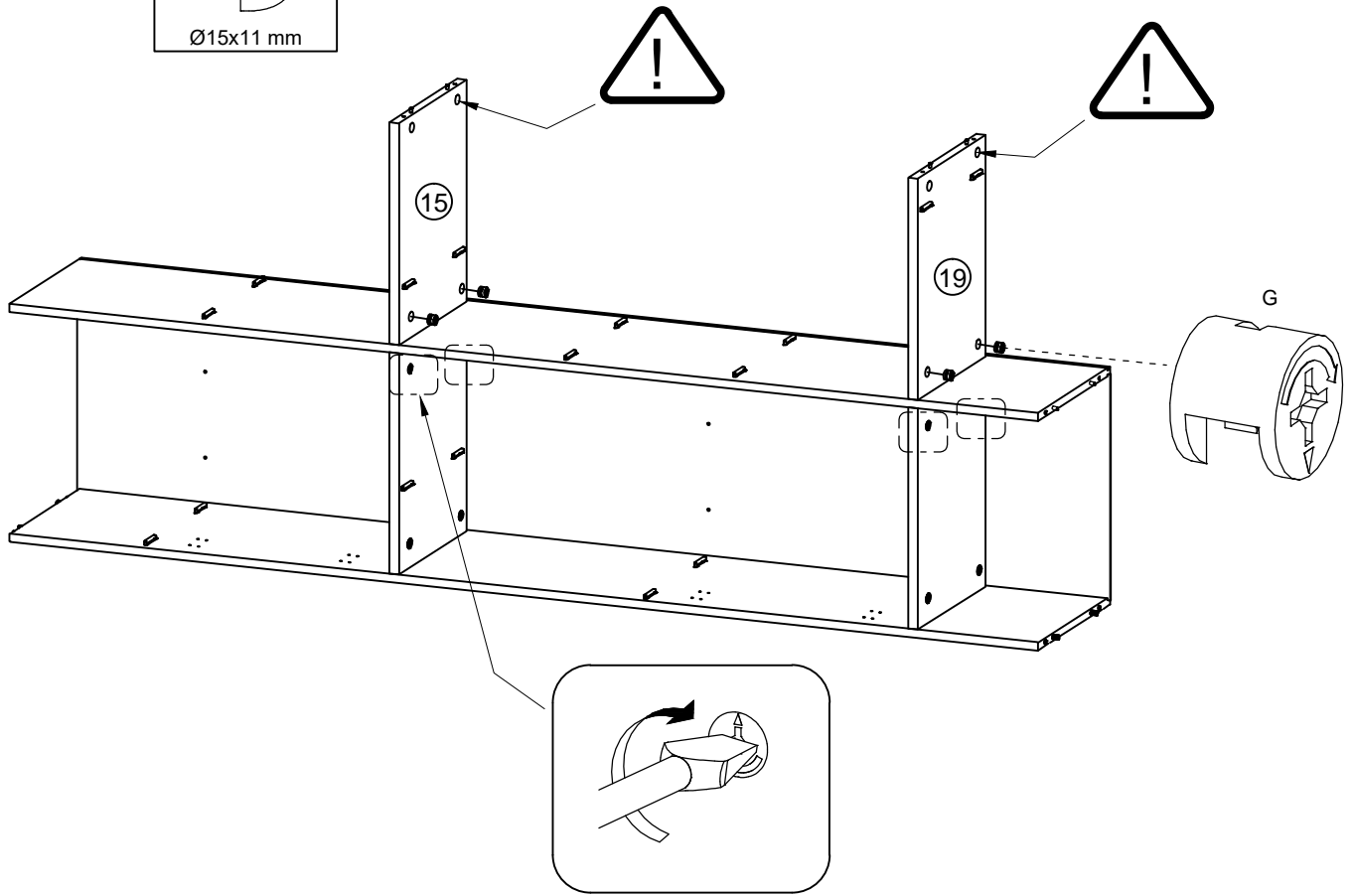
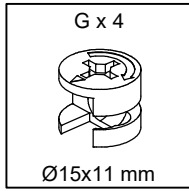


8

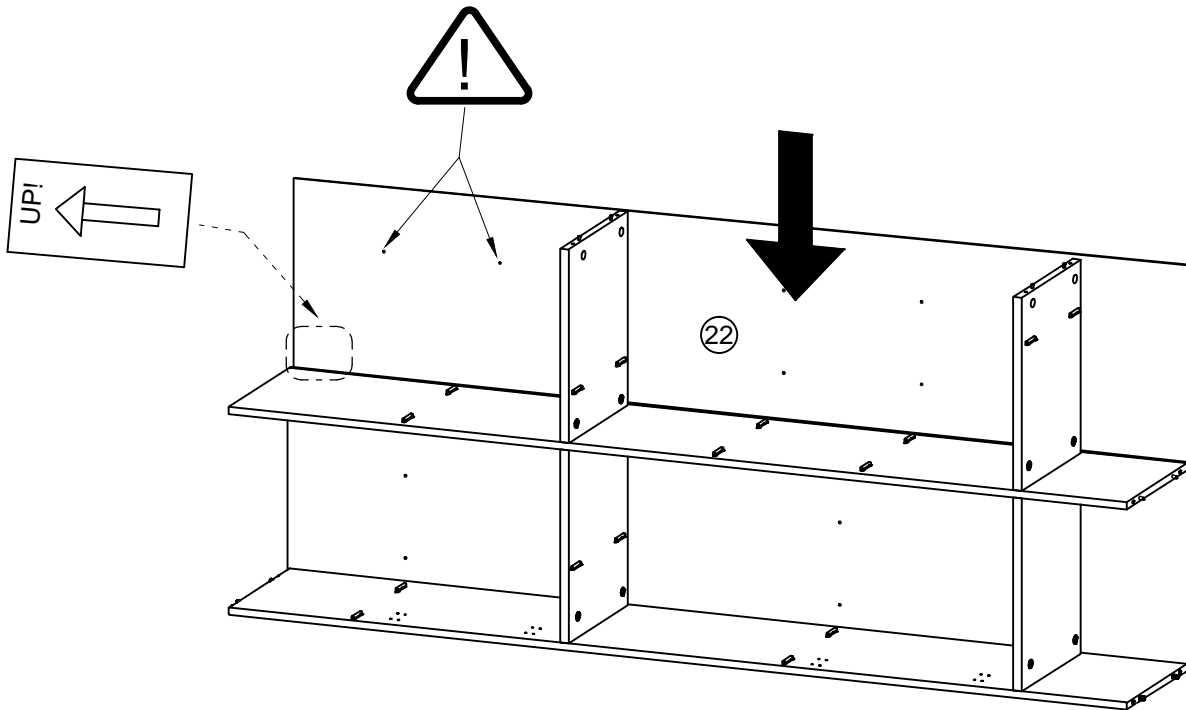
H x 2  Ø8x30 mm	Q x 2  40x29/Ø8 mm	X x 1  50x20x8 mm
--	---	--



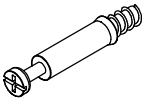
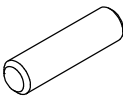
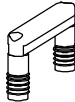
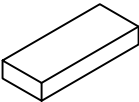
9

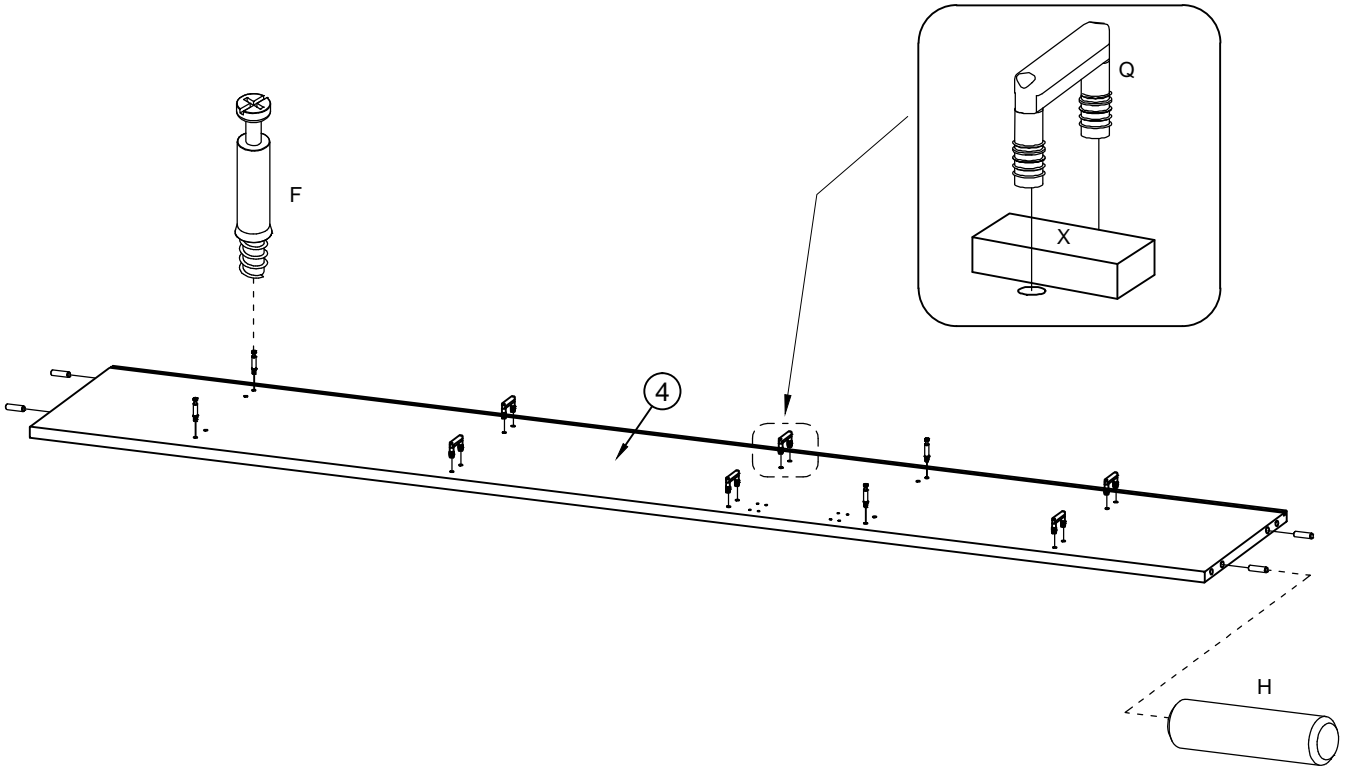
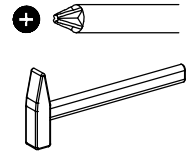


10

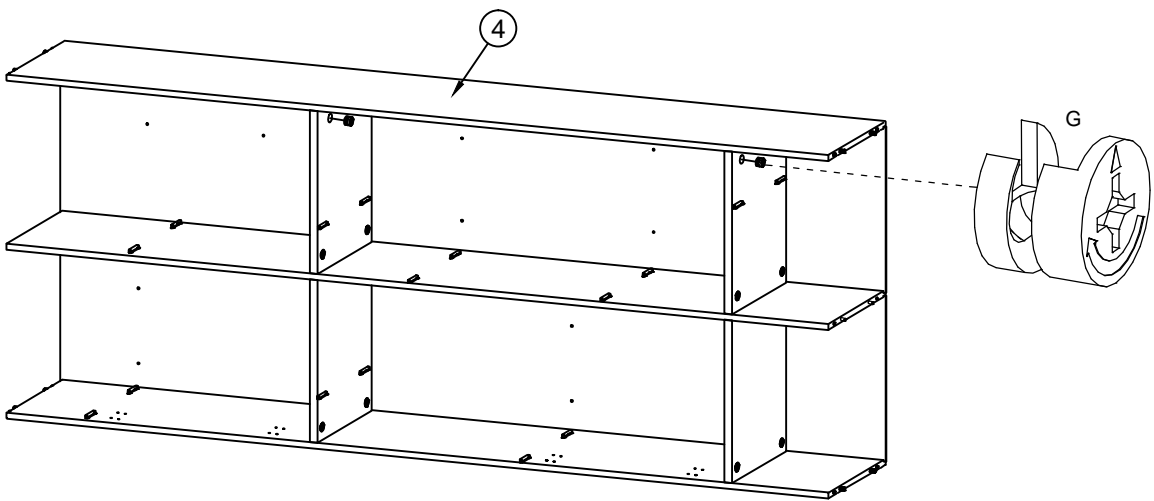
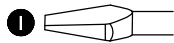
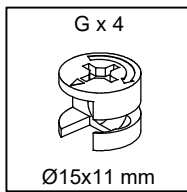


11

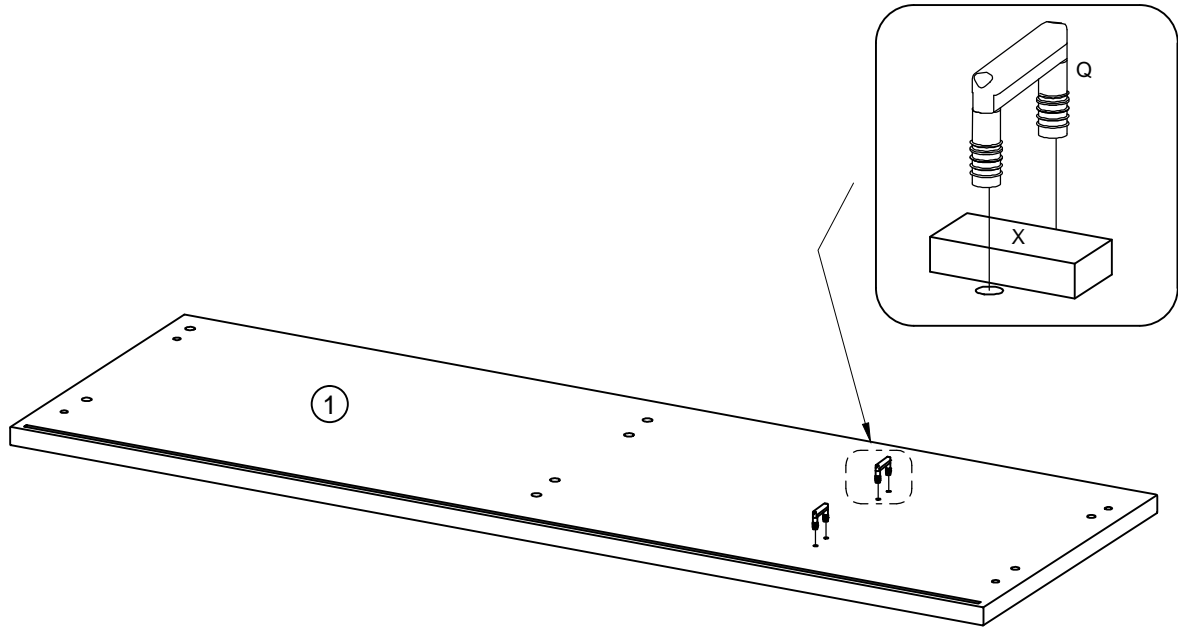
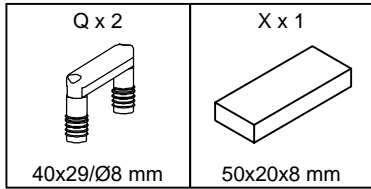
F x 4  Ø6/34 mm	H x 4  Ø8x30 mm	Q x 6  40x29/Ø8 mm	X x 1  50x20x8 mm
--	--	---	--



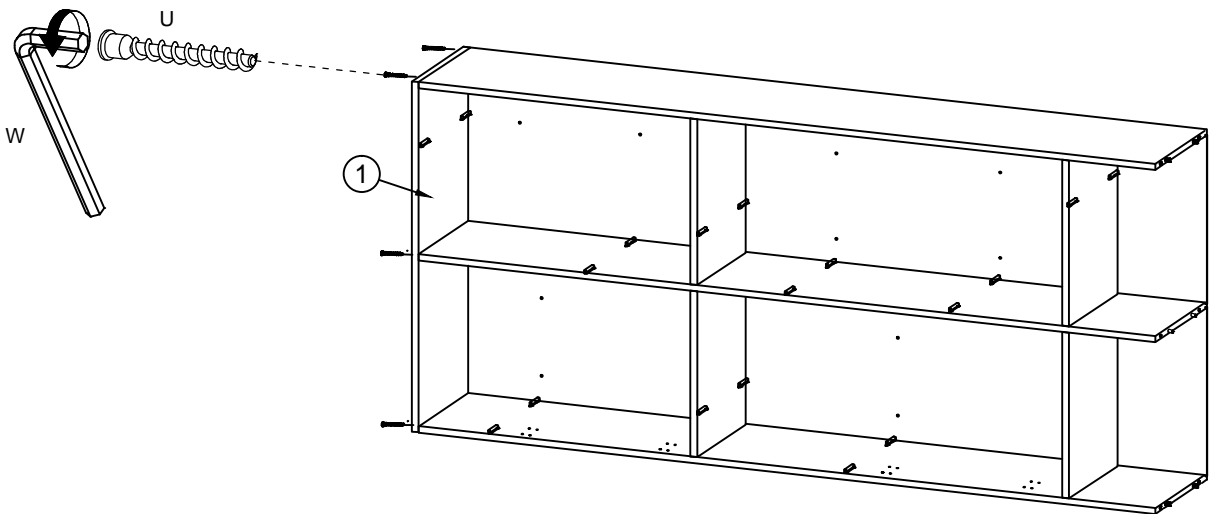
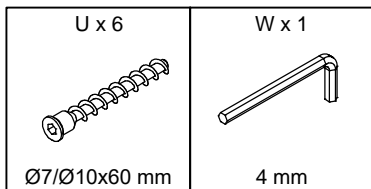
12



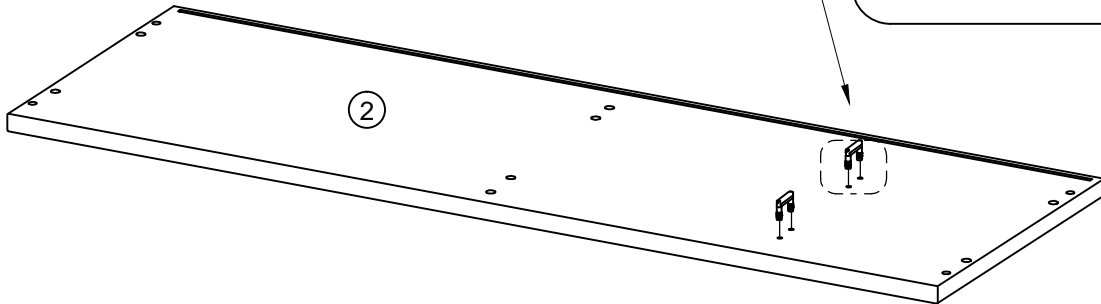
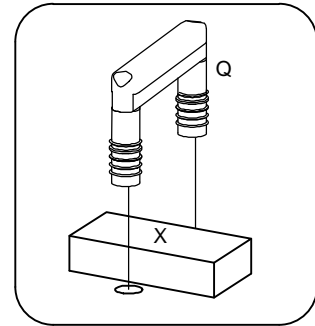
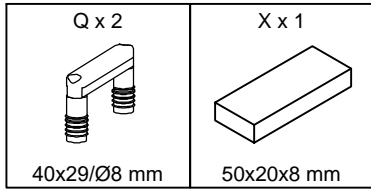
13



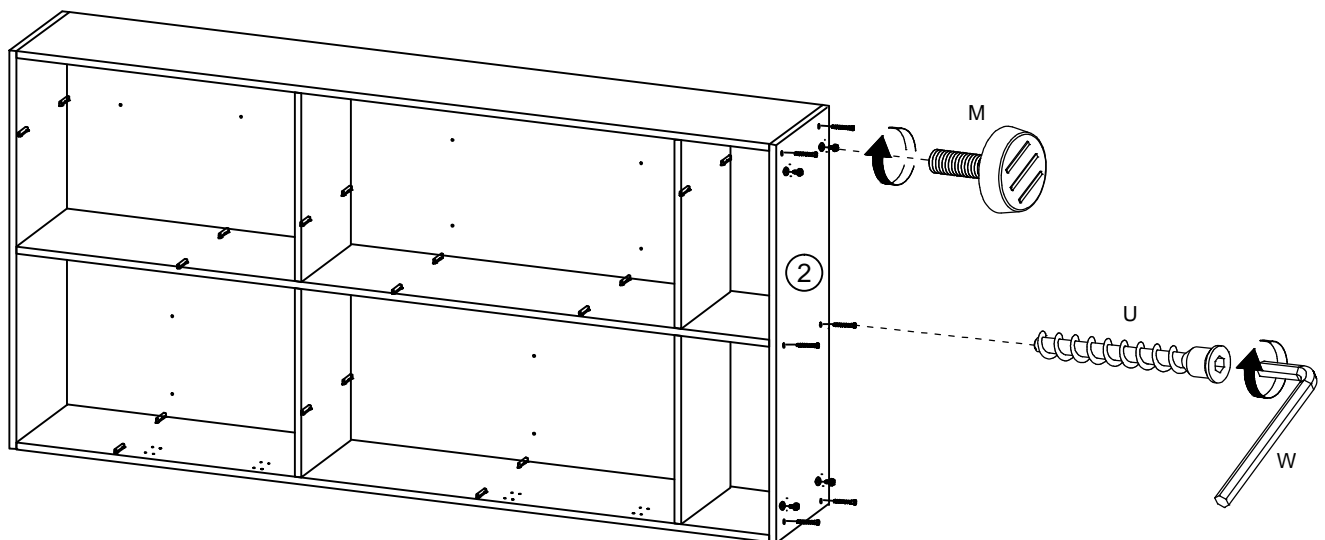
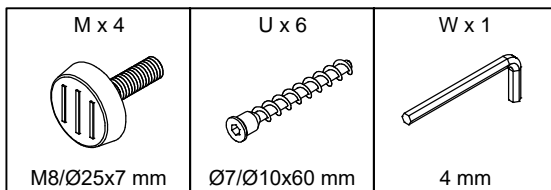
14



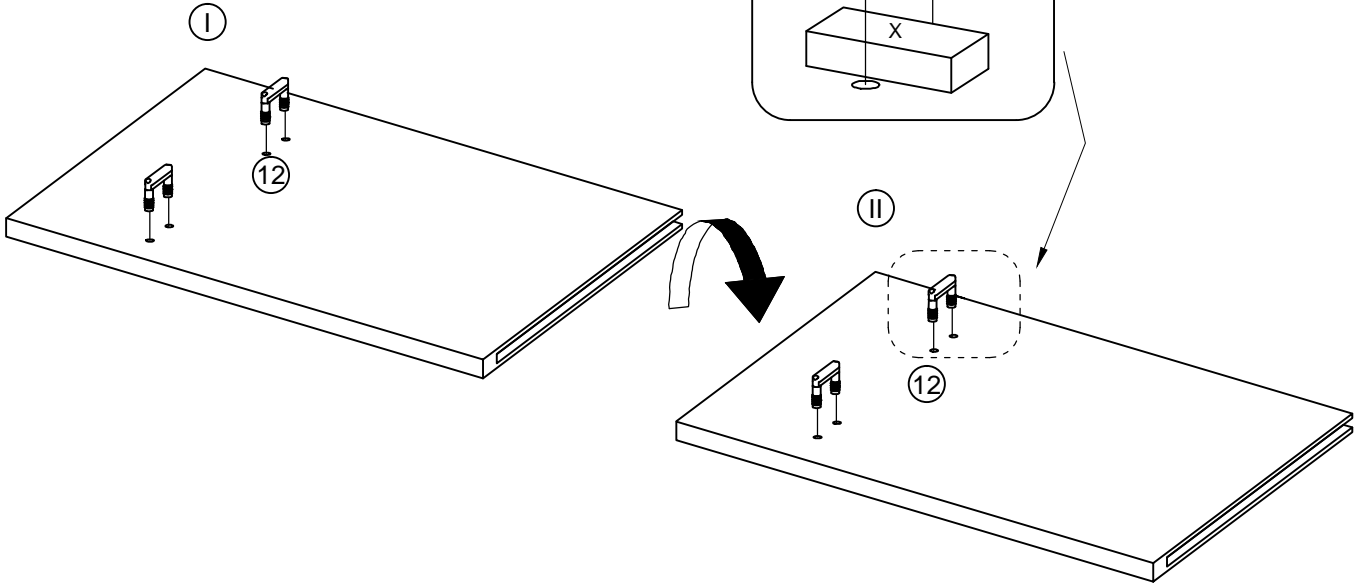
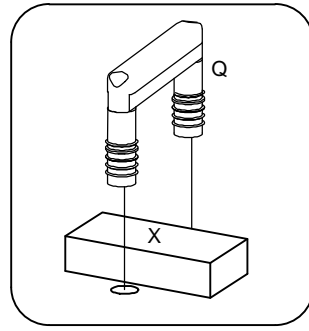
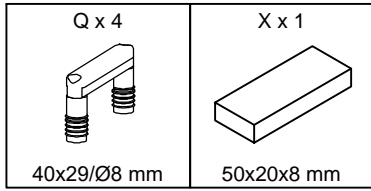
15



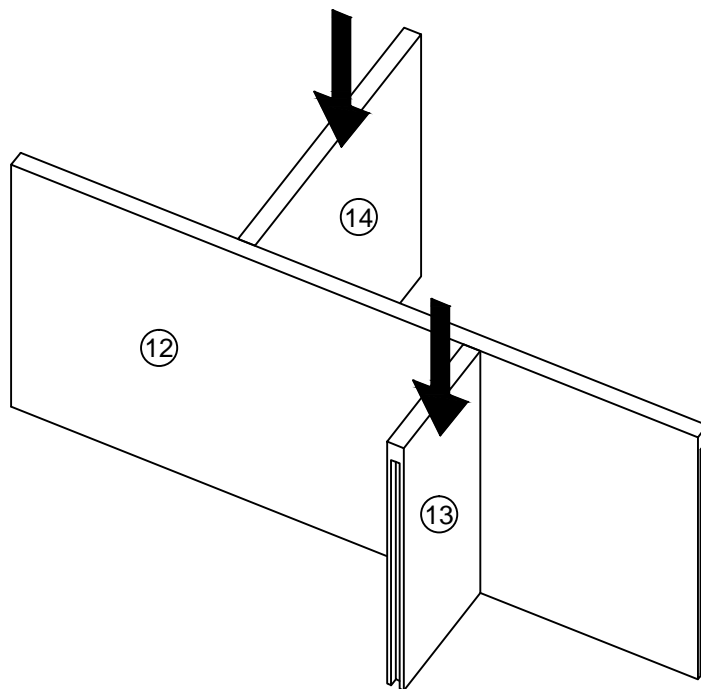
16



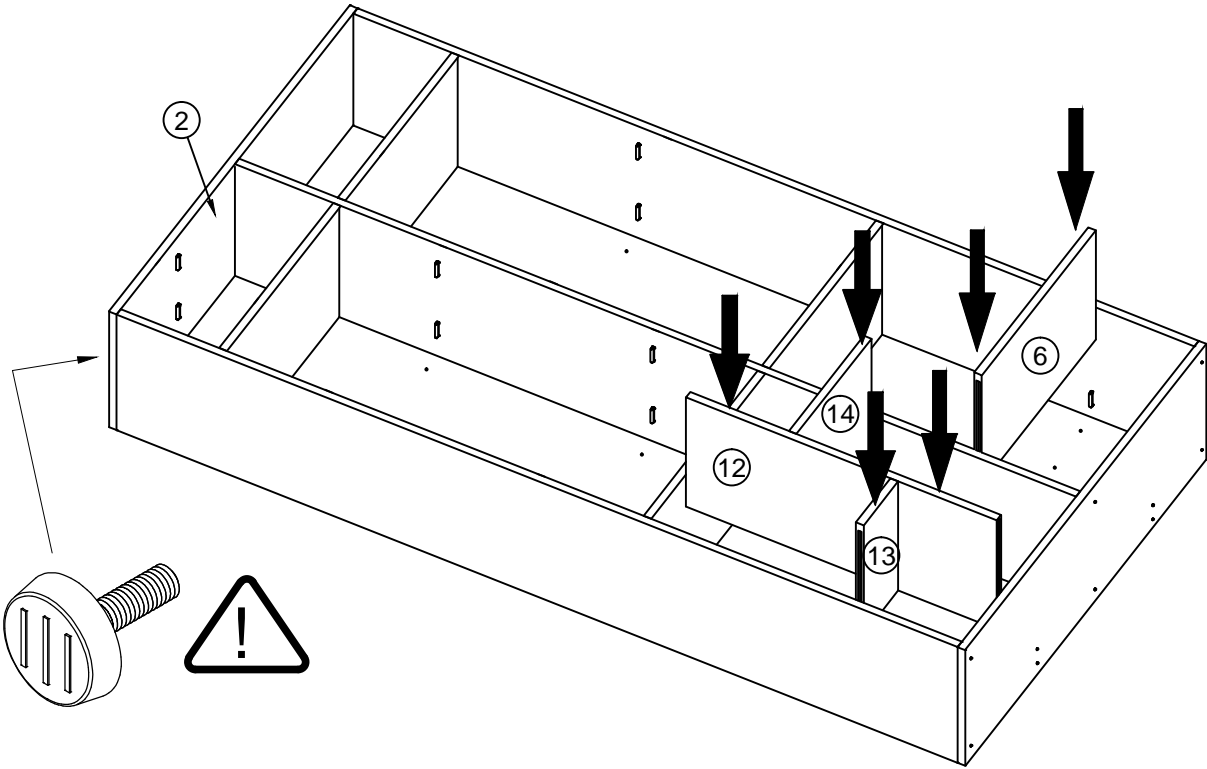
17



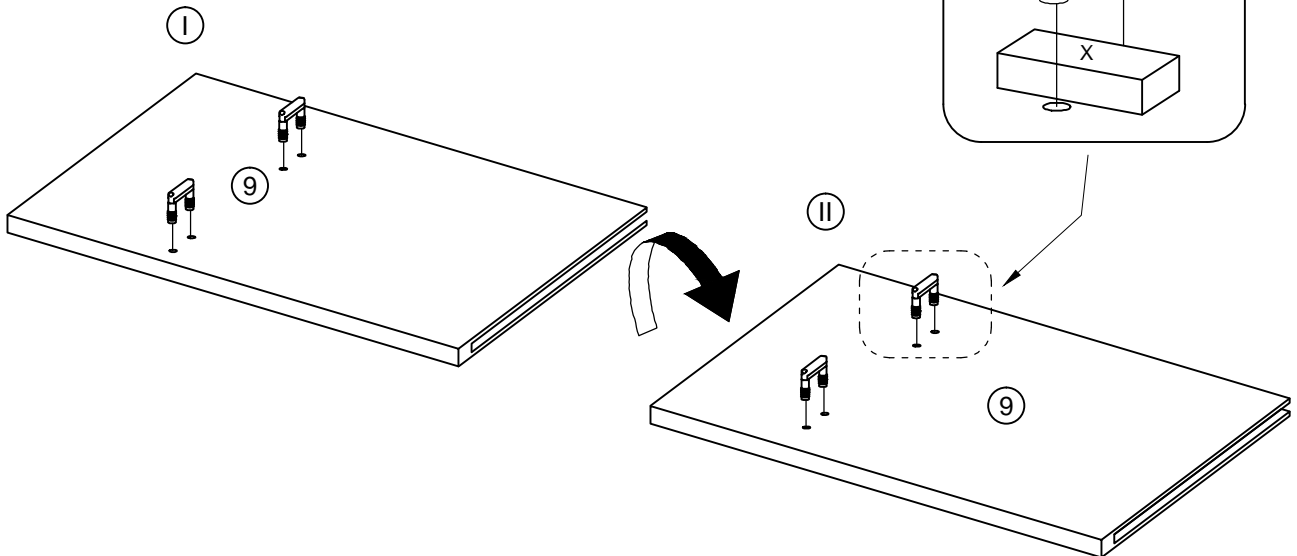
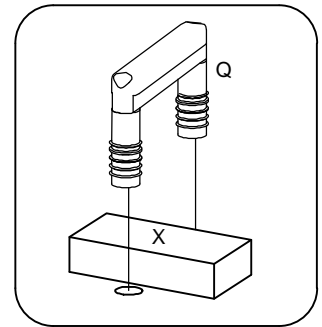
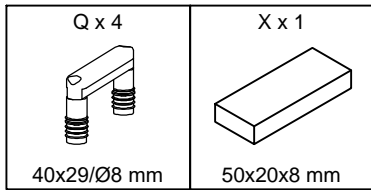
18



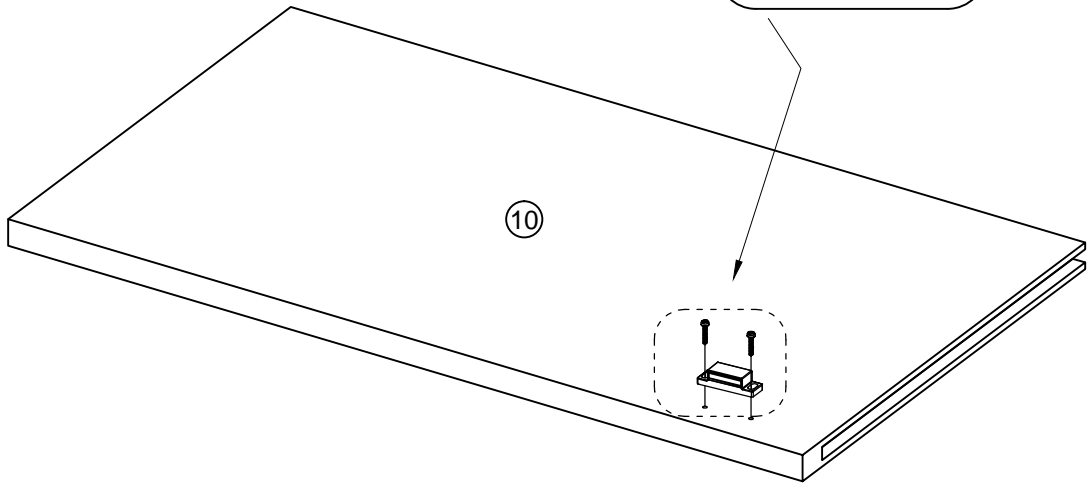
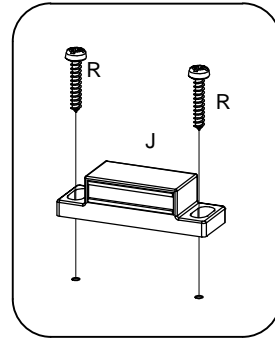
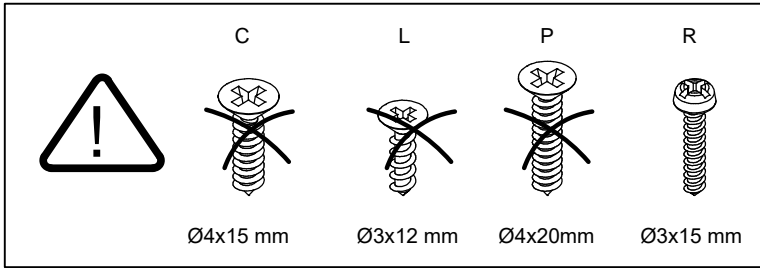
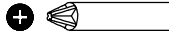
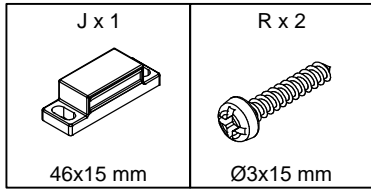
19



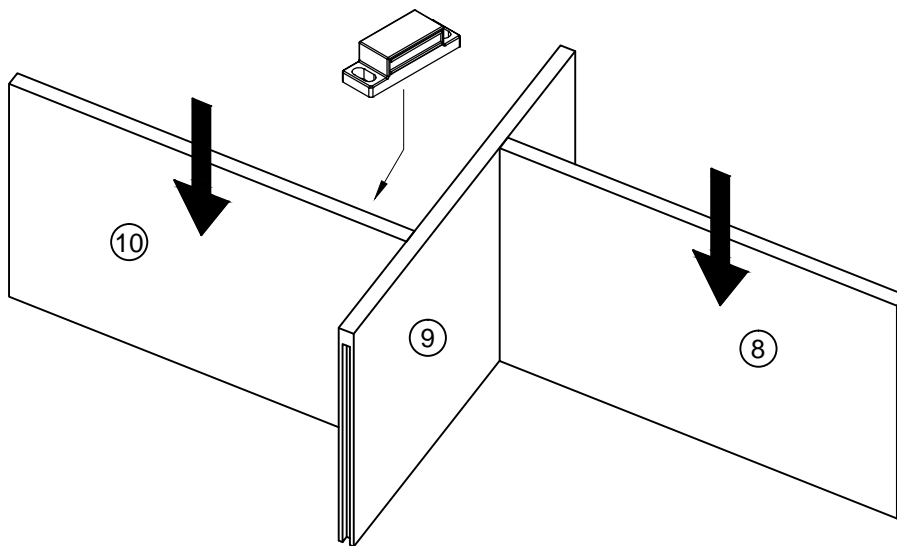
20



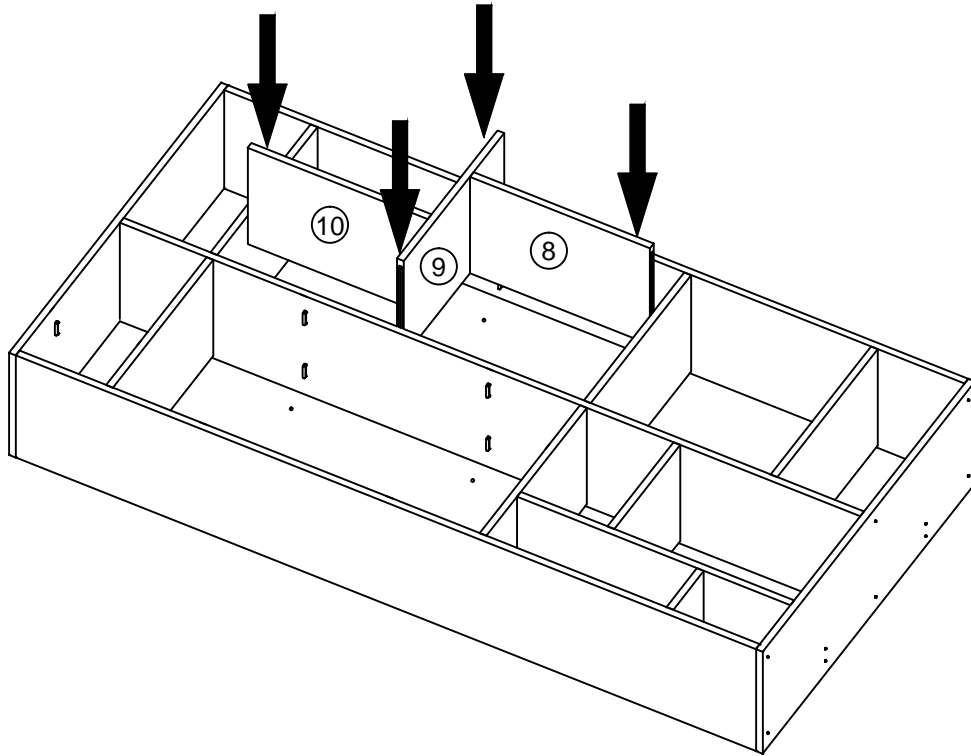
21



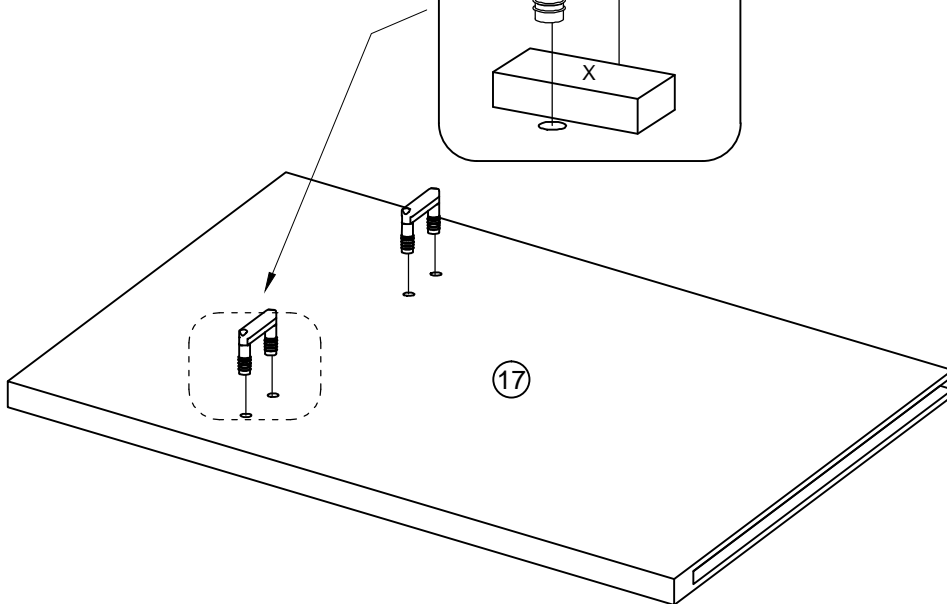
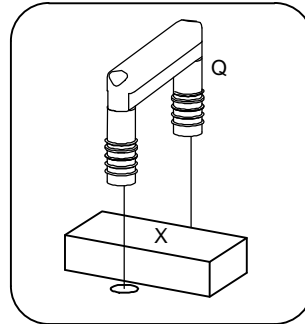
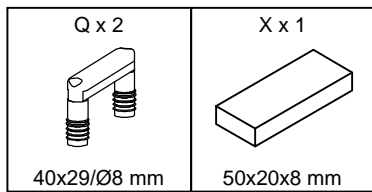
22



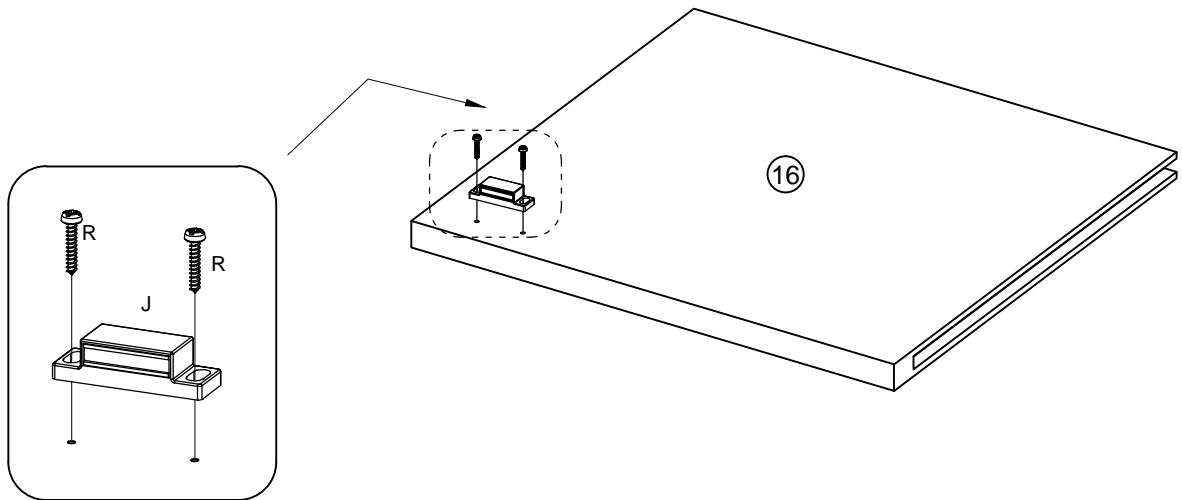
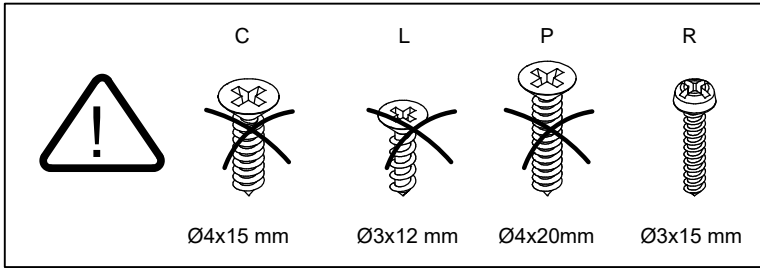
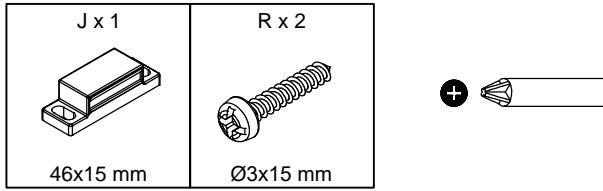
23



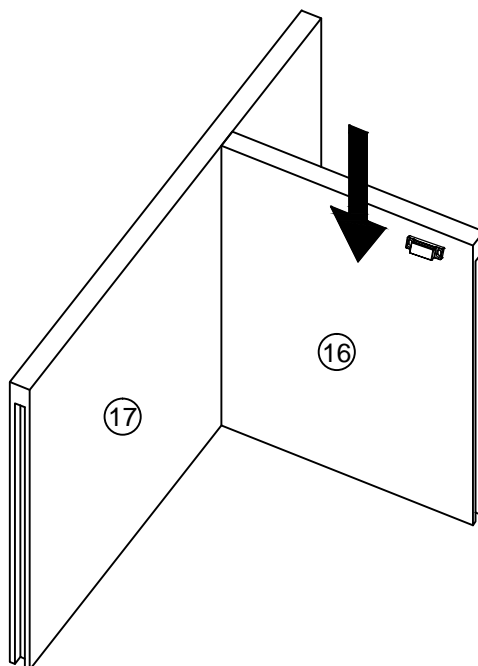
24



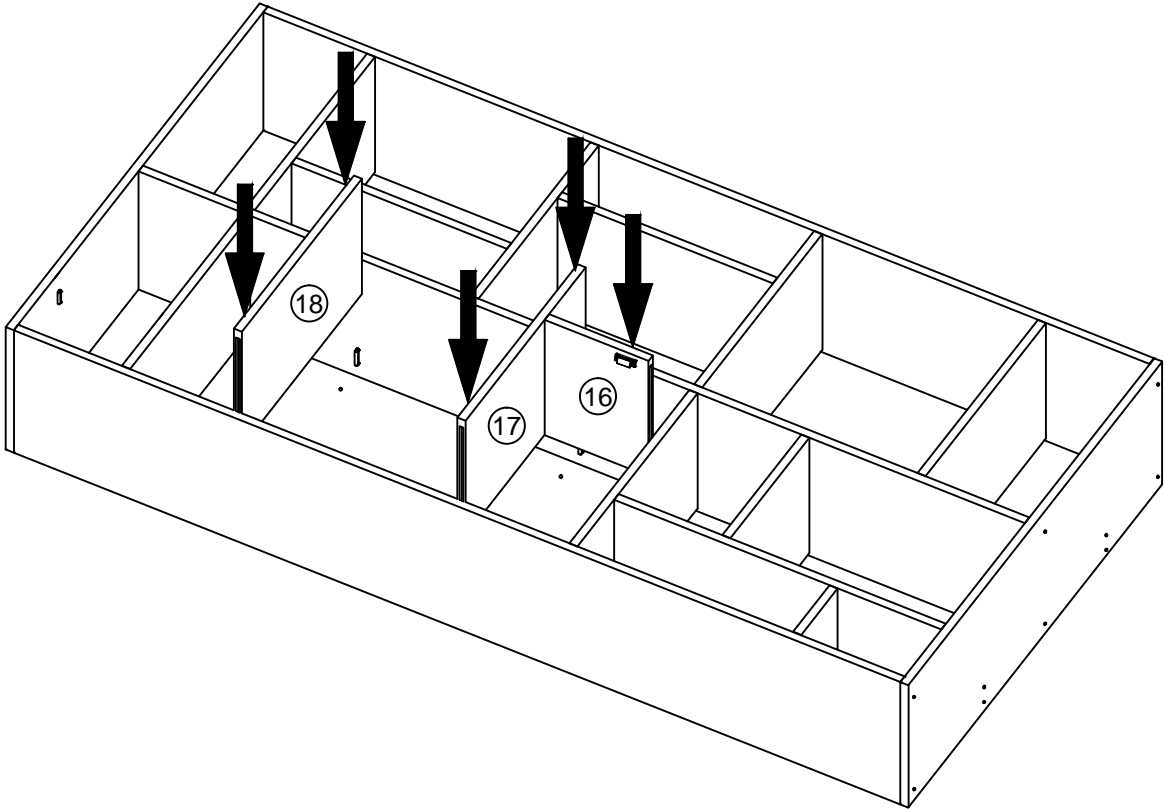
25



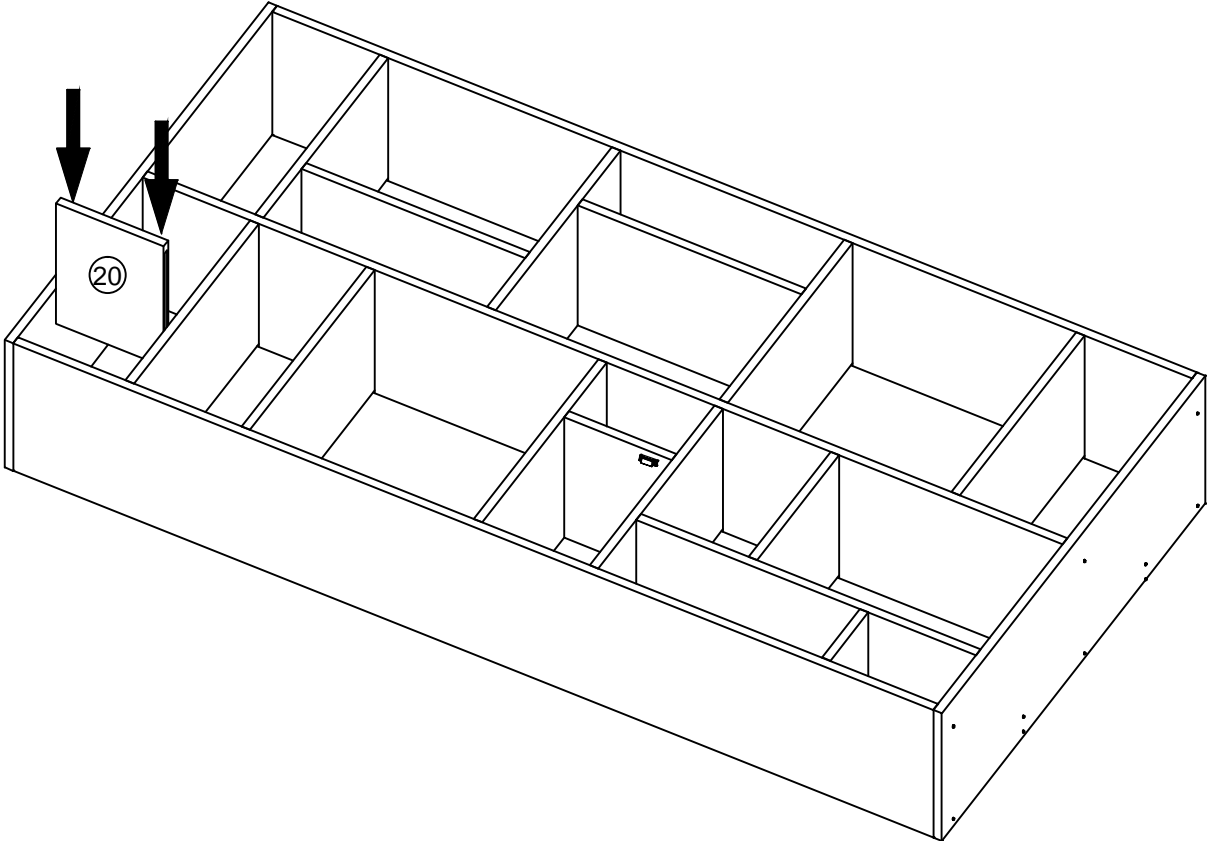
26



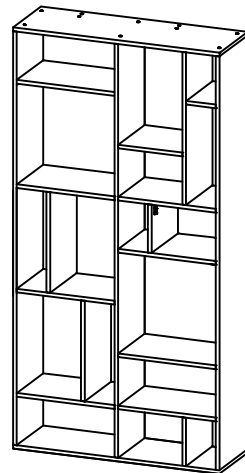
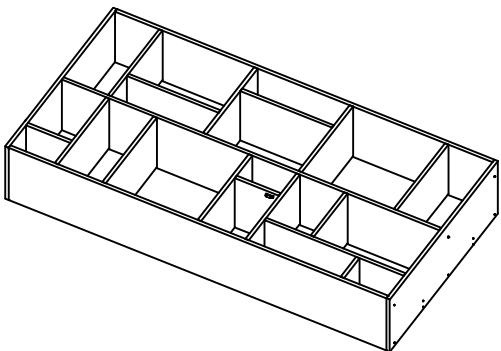
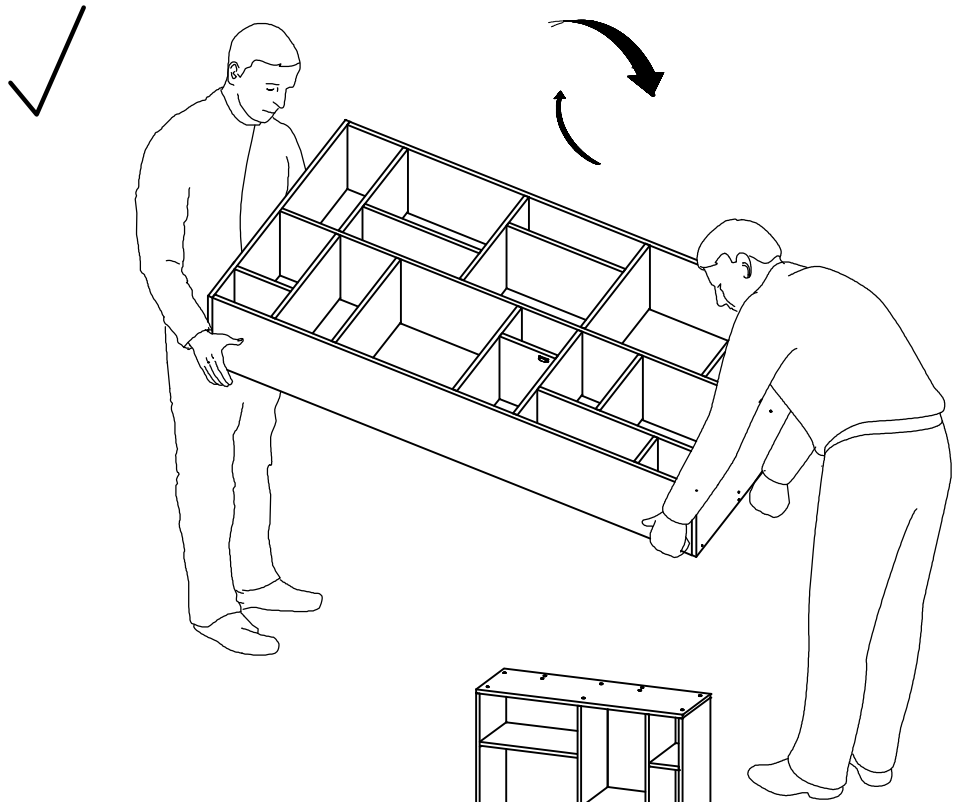
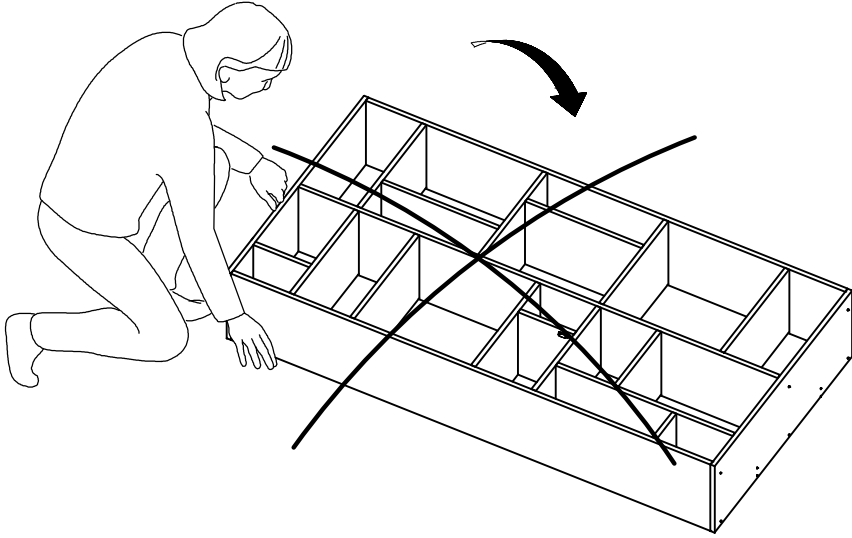
27



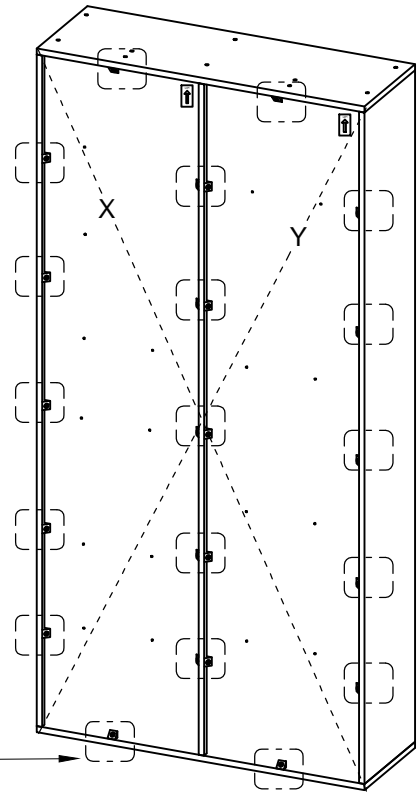
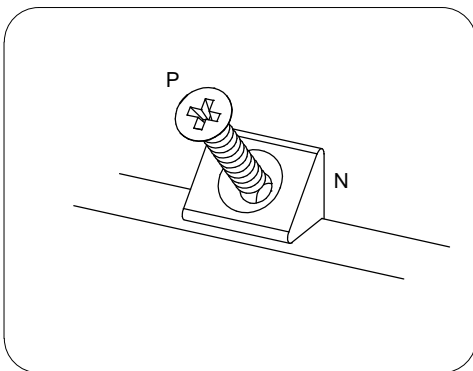
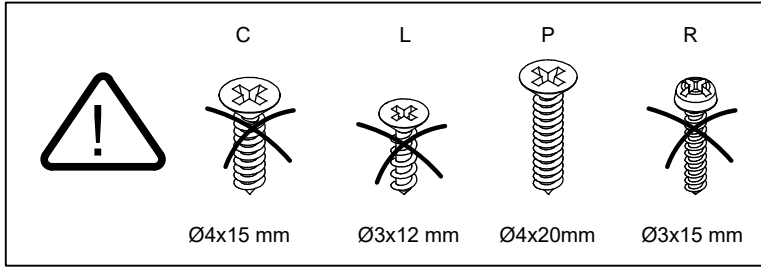
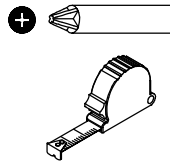
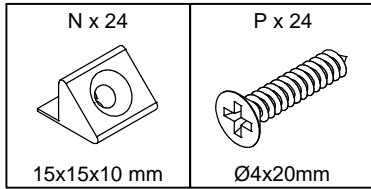
28



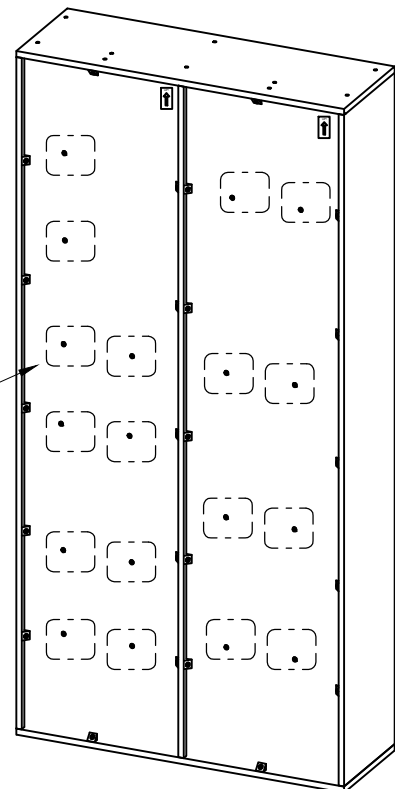
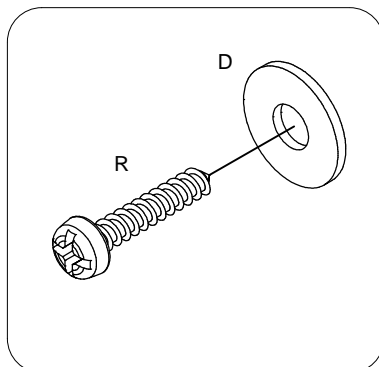
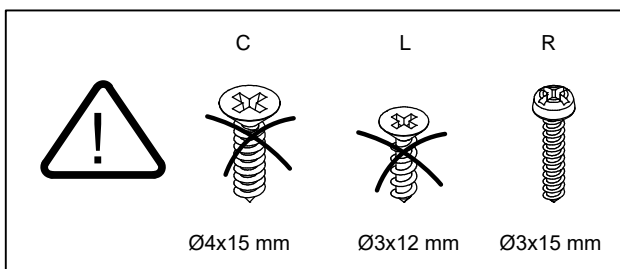
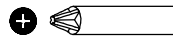
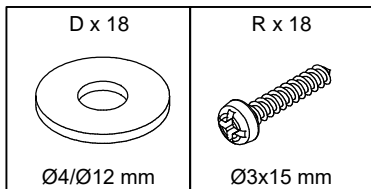
29



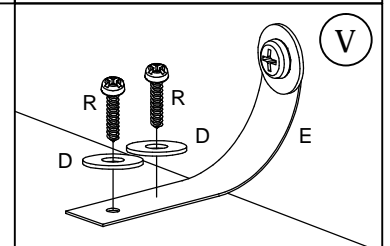
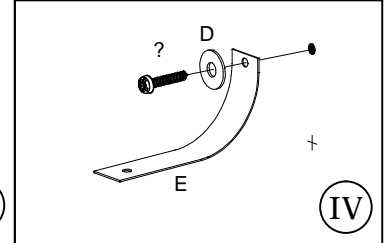
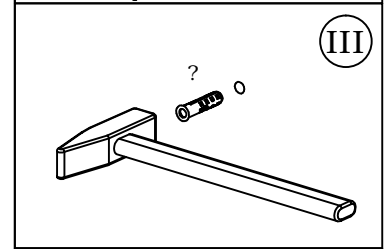
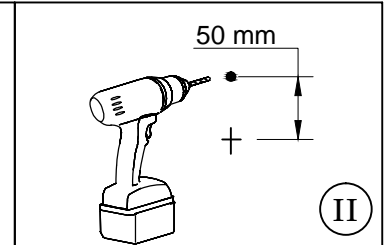
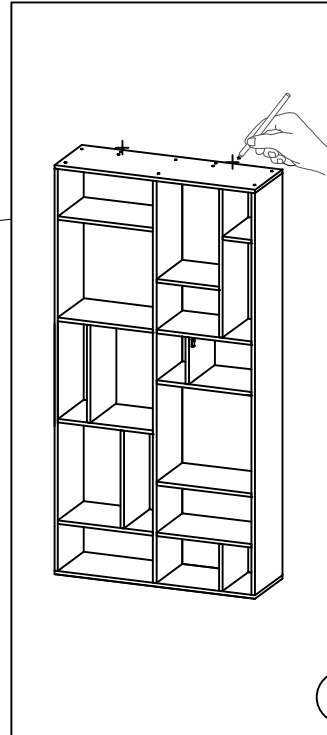
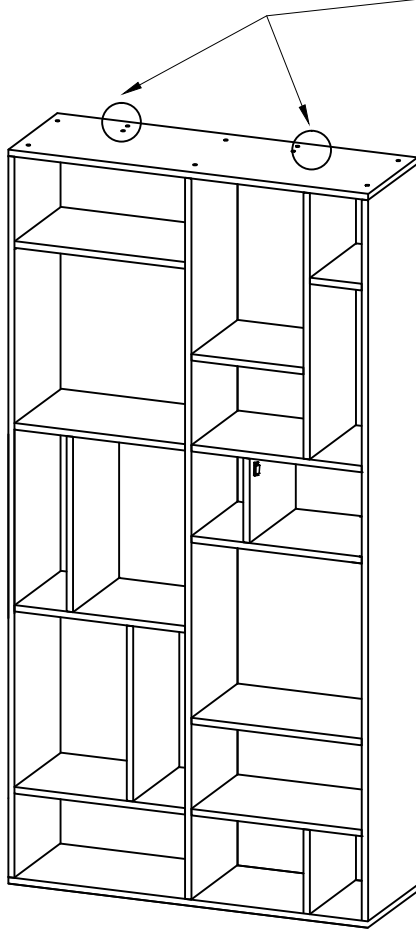
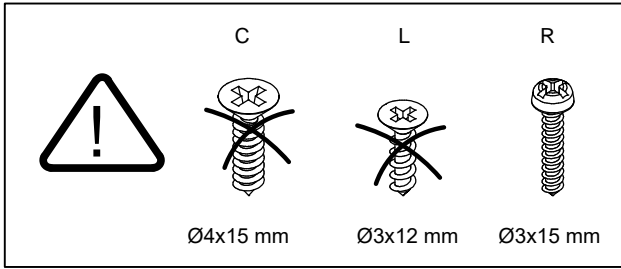
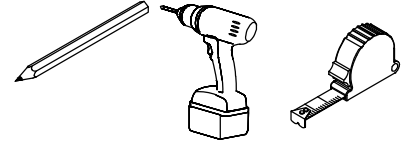
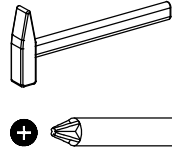
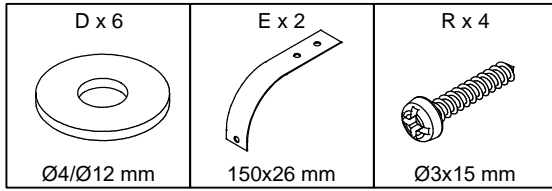
30



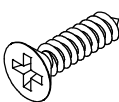
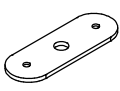
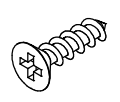
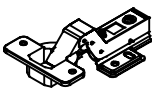
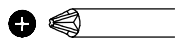
31

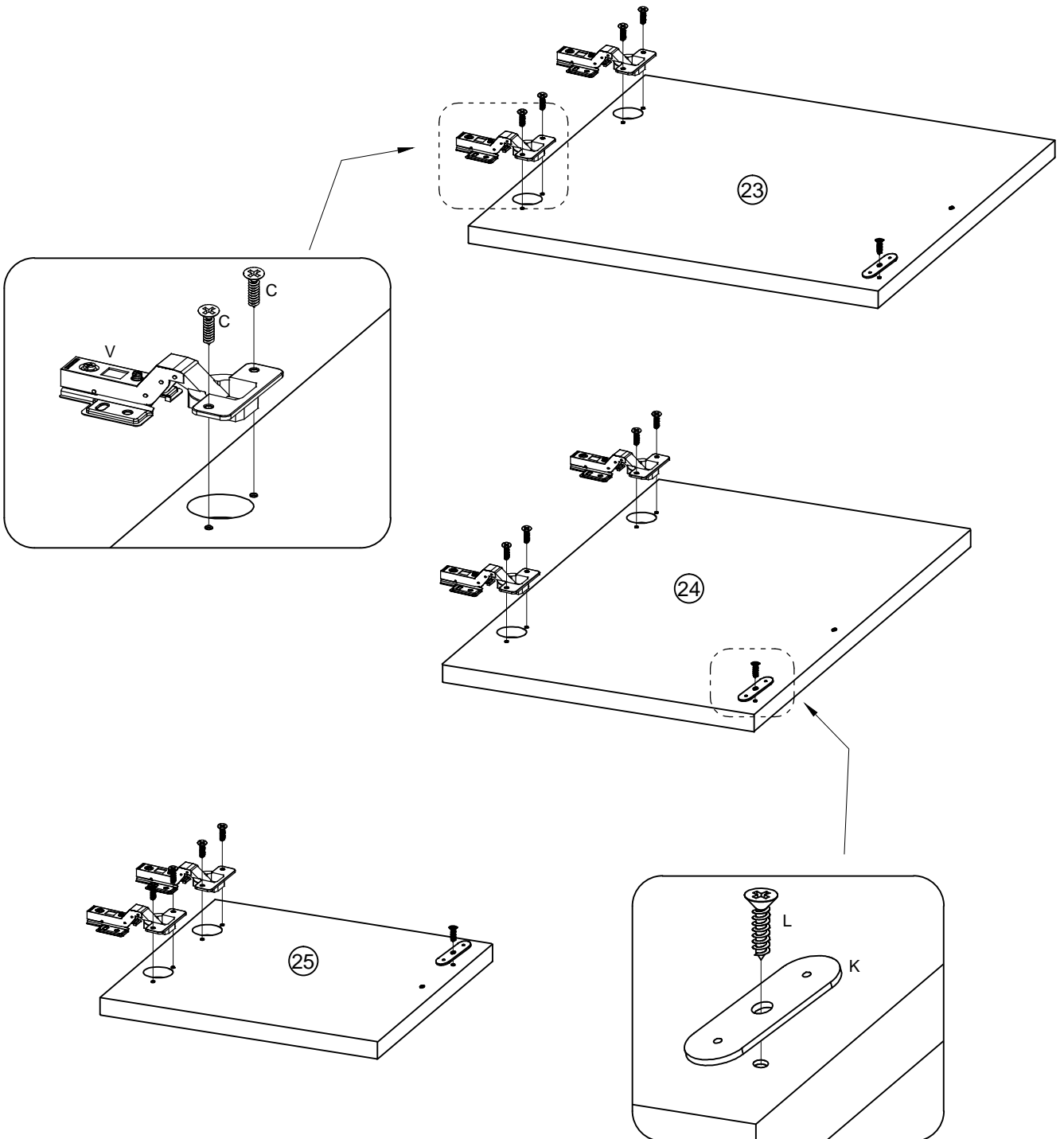


32

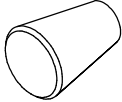
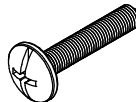
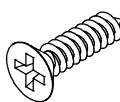


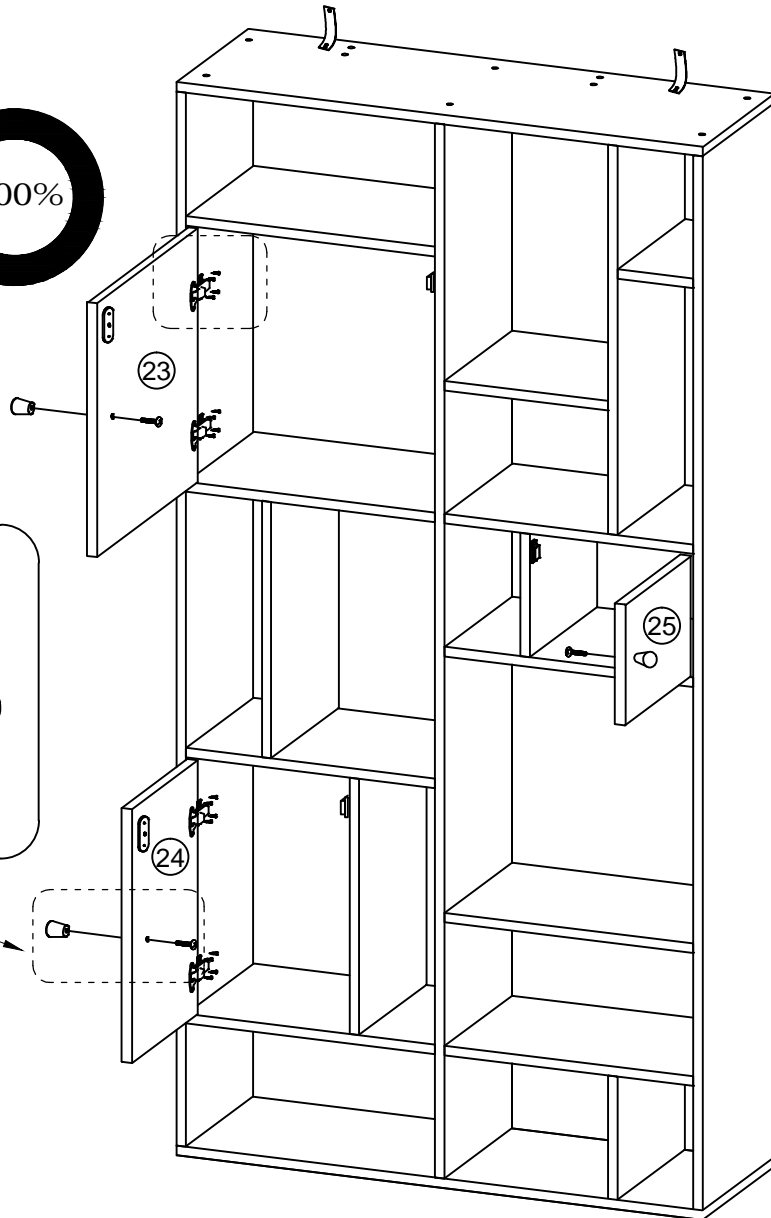
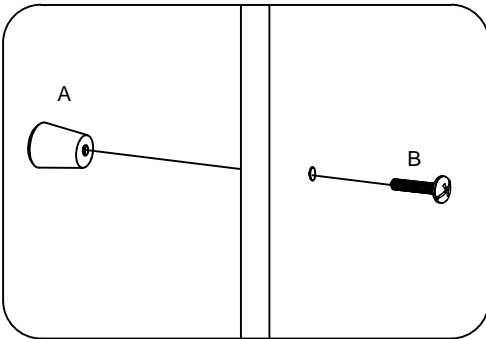
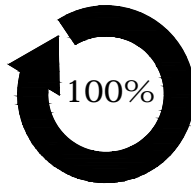
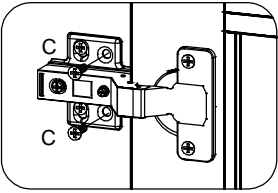
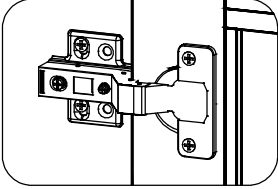
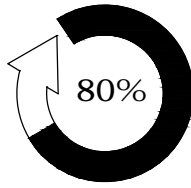
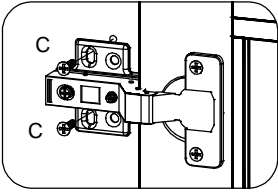
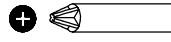
33

C x 12  Ø4x15 mm	K x 3  35x12 mm	L x 3  Ø3x12 mm	V x 6  Ø26/FK17	
---	--	--	--	---

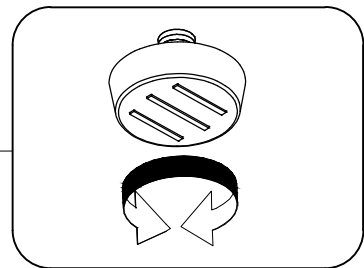
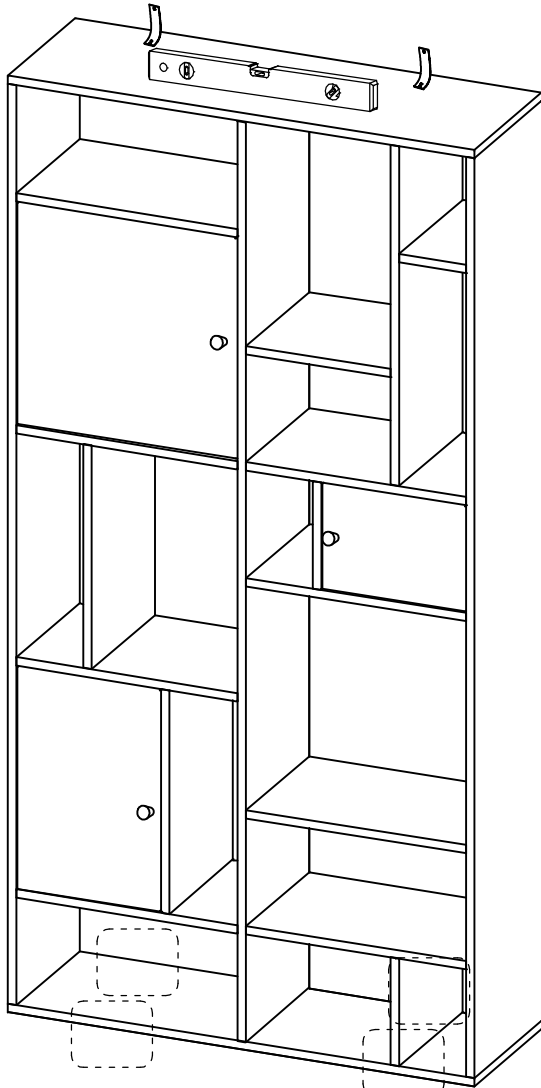
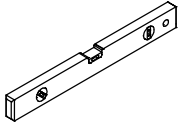


34

A x 3  Ø11/Ø16x22	B x 3  M4x22 mm	C x 24  Ø4x15 mm
--	--	---



35



36

