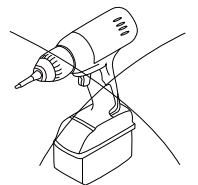
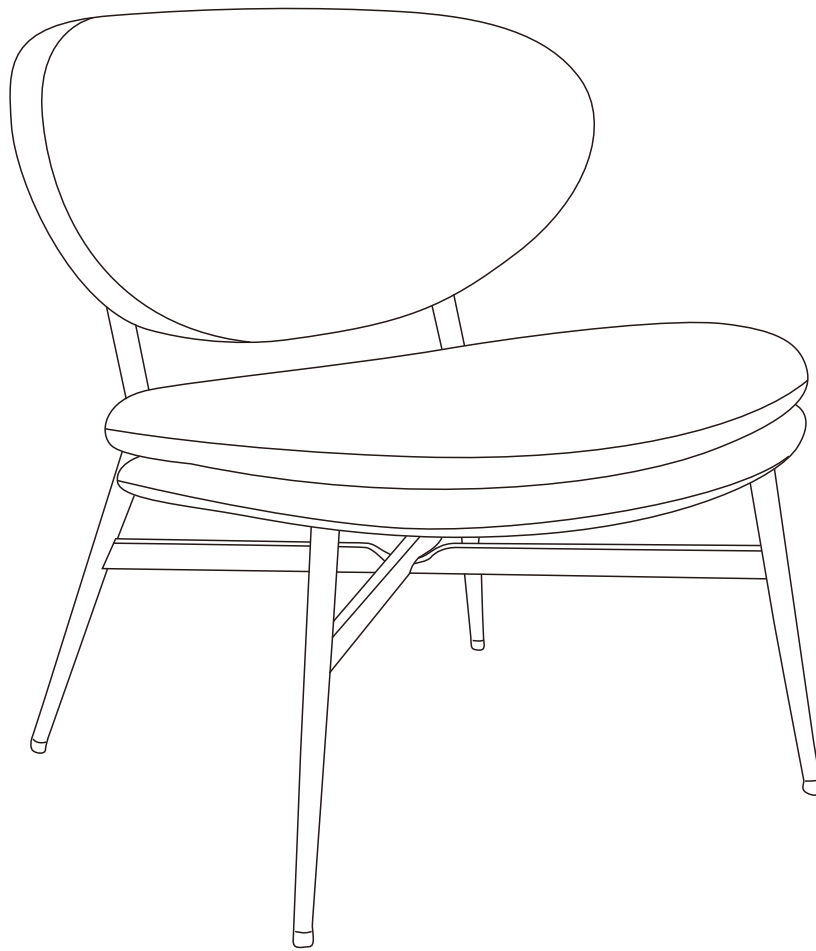
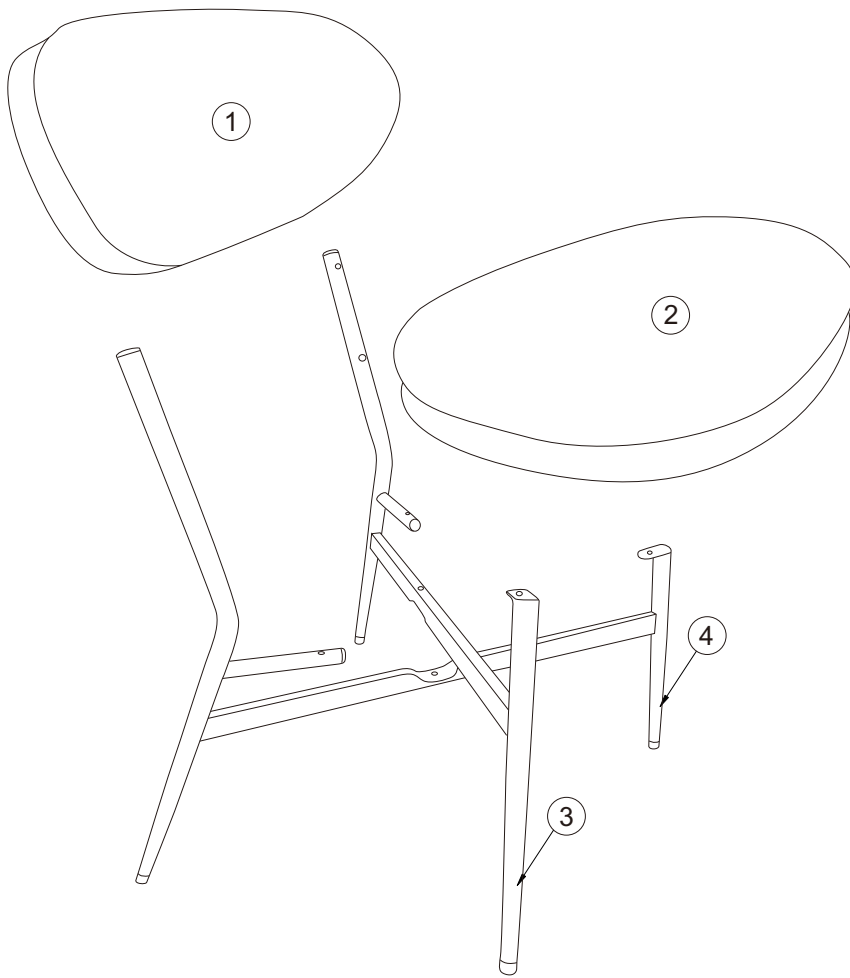
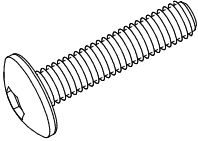
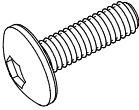
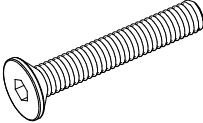
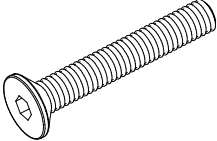

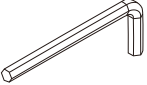


BURMA

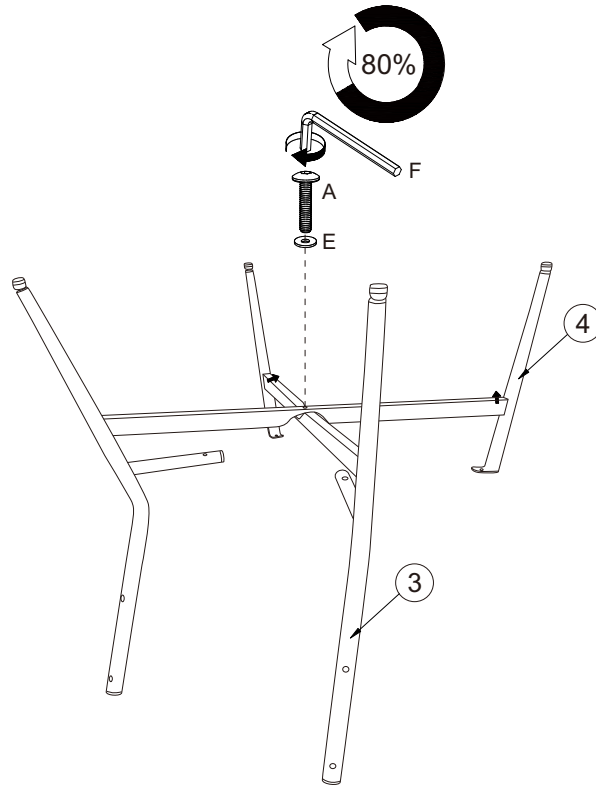
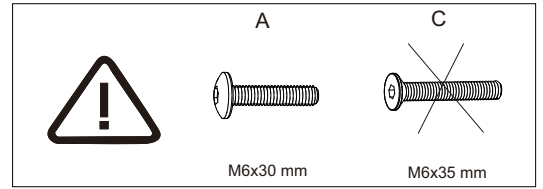
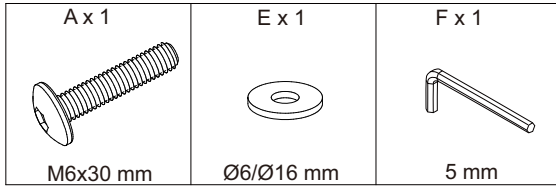


			✓
①	1	690x450x210	
②	1	560x710x130	
③	1	650x830x125	
④	1	650x830x125	

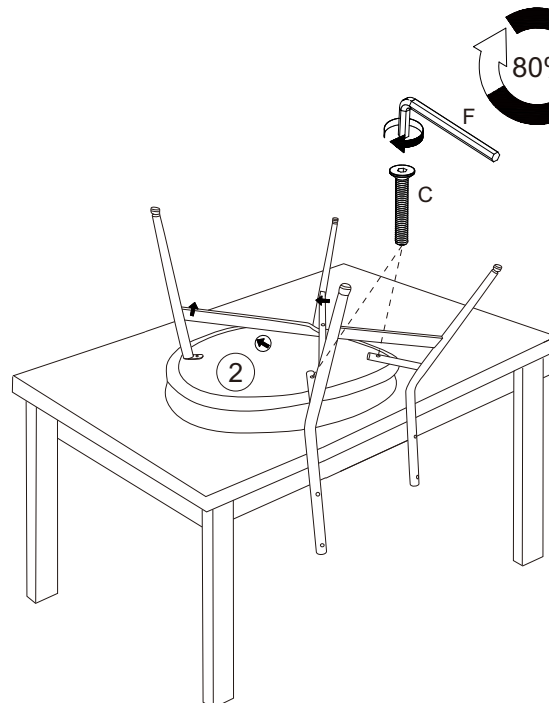
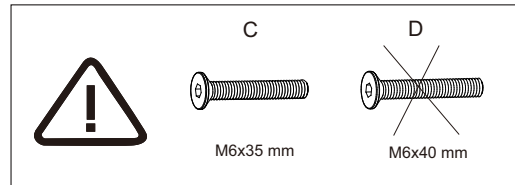
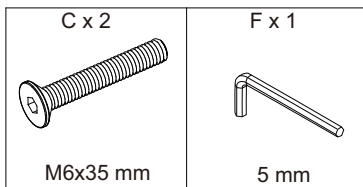


<p>A x 1</p>  <p>M6x30 mm</p>	<p>B x 2</p>  <p>M6x20 mm</p>	<p>C x 2</p>  <p>M6x35 mm</p>	<p>D x 4</p>  <p>M6x40 mm</p>	<p>E x 3</p>  <p>Ø6/Ø16 mm</p>
<p>F x 1</p>  <p>5 mm</p>				

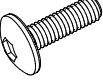


1

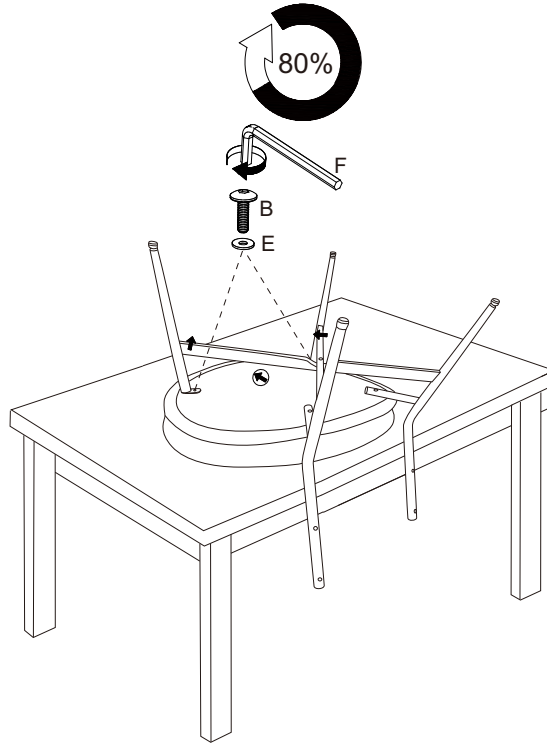


2

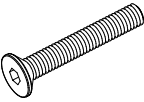



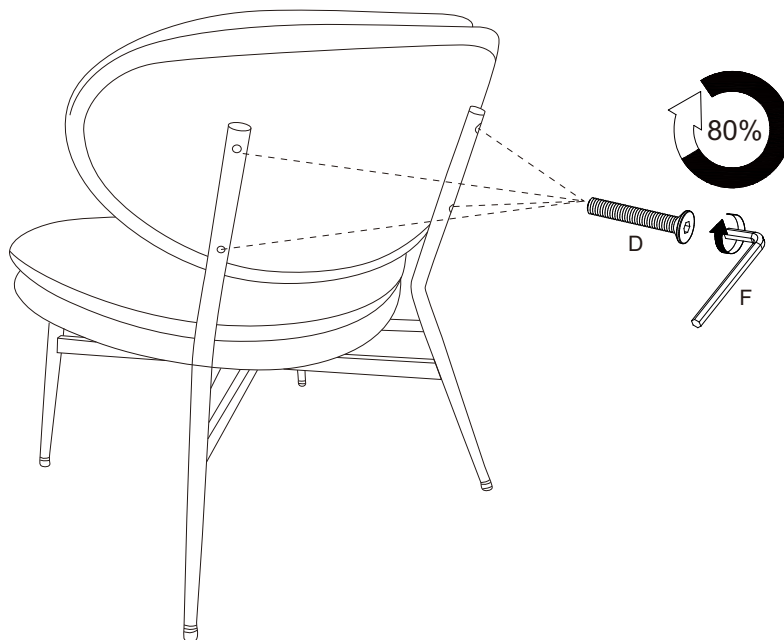
3

B x 2  M6x20 mm	E x 2  Ø6/Ø16 mm	F x 1  5 mm
--	---	--

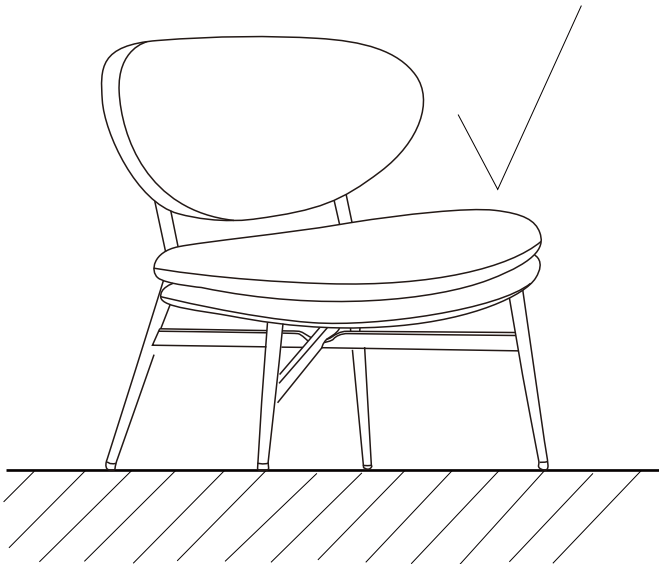
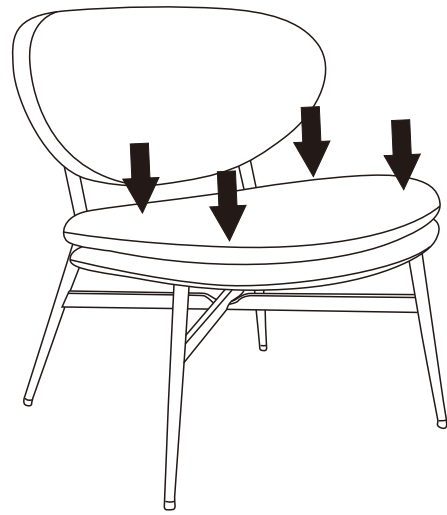
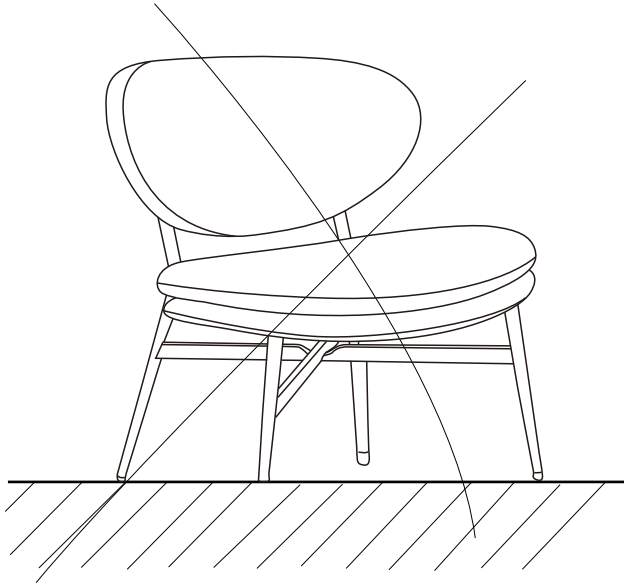


4

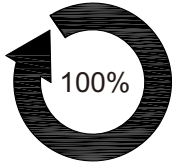
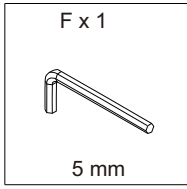
D x 4  M6x40 mm	F x 1  5 mm
--	--



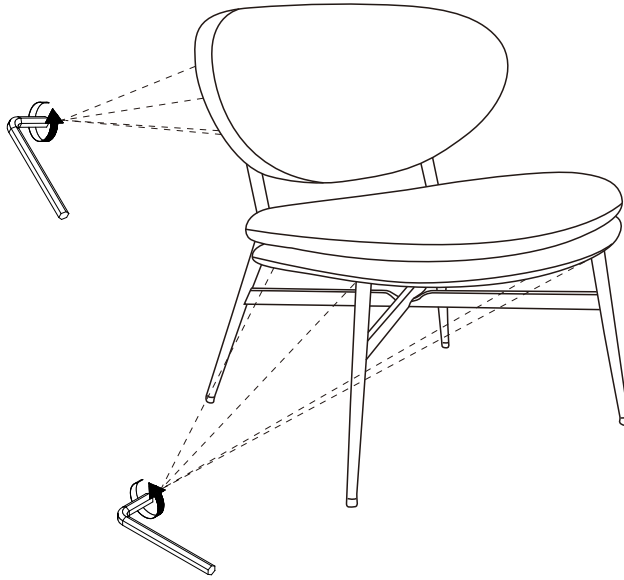
5



6



Ax1
Bx2
Cx2
Dx4



7

