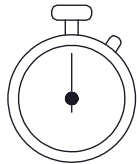
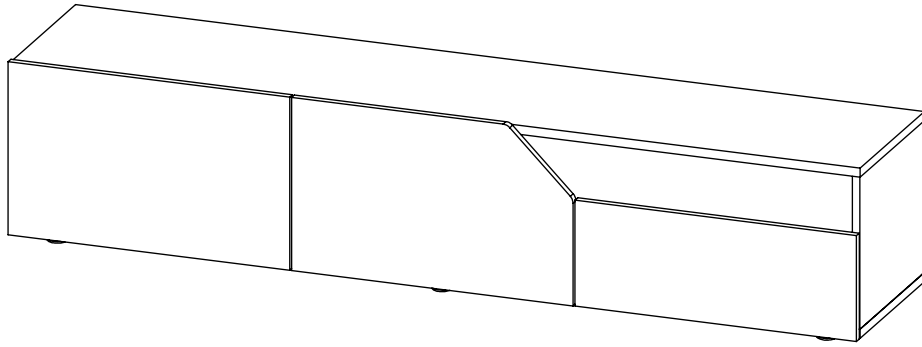
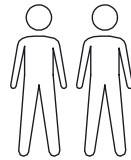


# VERONE



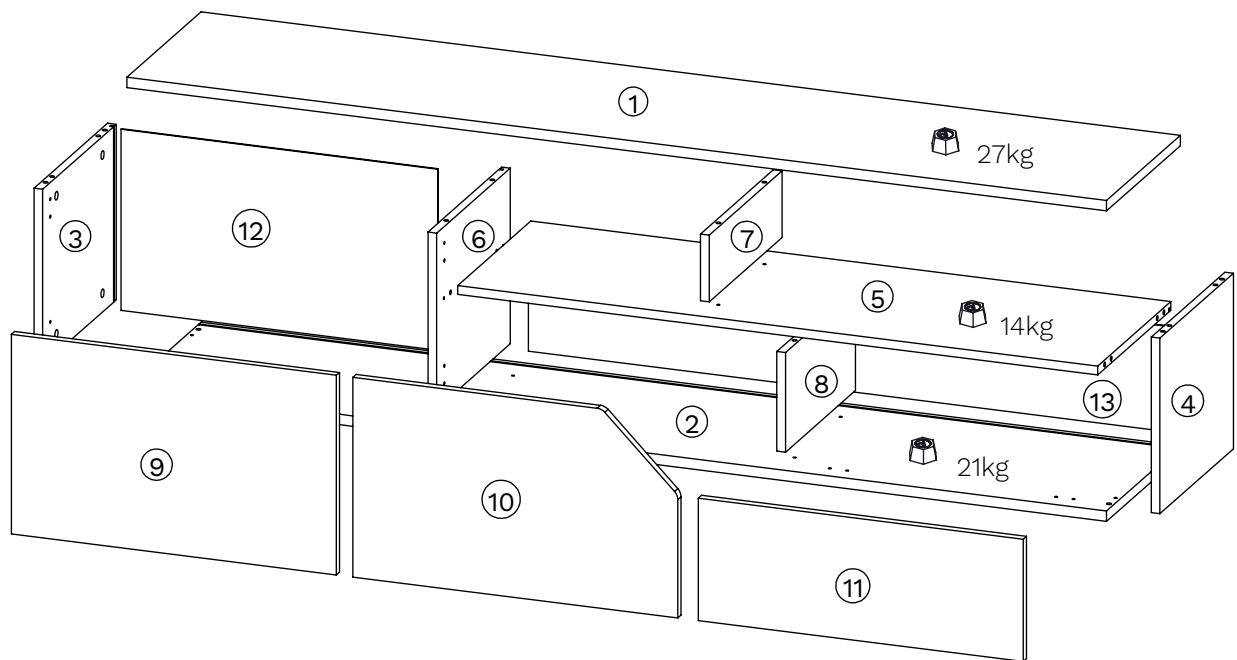
1 : 00




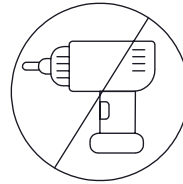
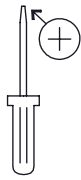
x 2



**TEMAHOME**  
welcome vibrations



○	x	mm	
1	1	1800 x 360 x 19	2
2	1	1800 x 360 x 19	2
3	1	320 x 358 x 16	1
4	1	320 x 358 x 16	1
5	1	1176 x 356 x 16	2
6	1	319 x 358 x 16	1
7	1	121 x 354 x 16	2
8	1	181 x 340 x 16	2
9	1	597 x 364 x 16	1
10	1	597 x 364 x 16	1
11	1	597 x 223 x 16	1
12	1	583 x 330 x 3	2
13	1	1175 x 190 x 3	2



0512.041

0512.042

0540.003

0520.063



Ø7 x 41mm

BAA x 24

AAA x 24

DAB x 12

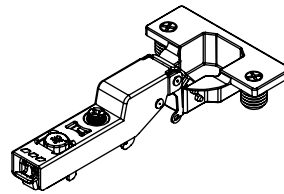
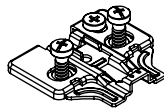
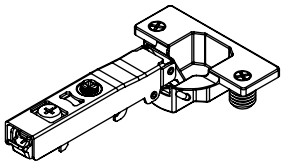
EFC x 2

0511.011

0511.012

0511.013

0520.102



KDI x 4

KAD x 6

KDJ x 2

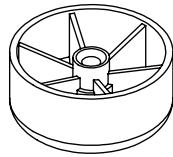
EFE x 4

0512.006

0520.174

0520.011

0520.165/171



Ø3,5 x 25mm

GGU x 6

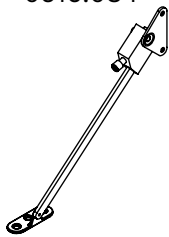
RW x 6

EDF x 16

EDE/EDN x 8

0516.084

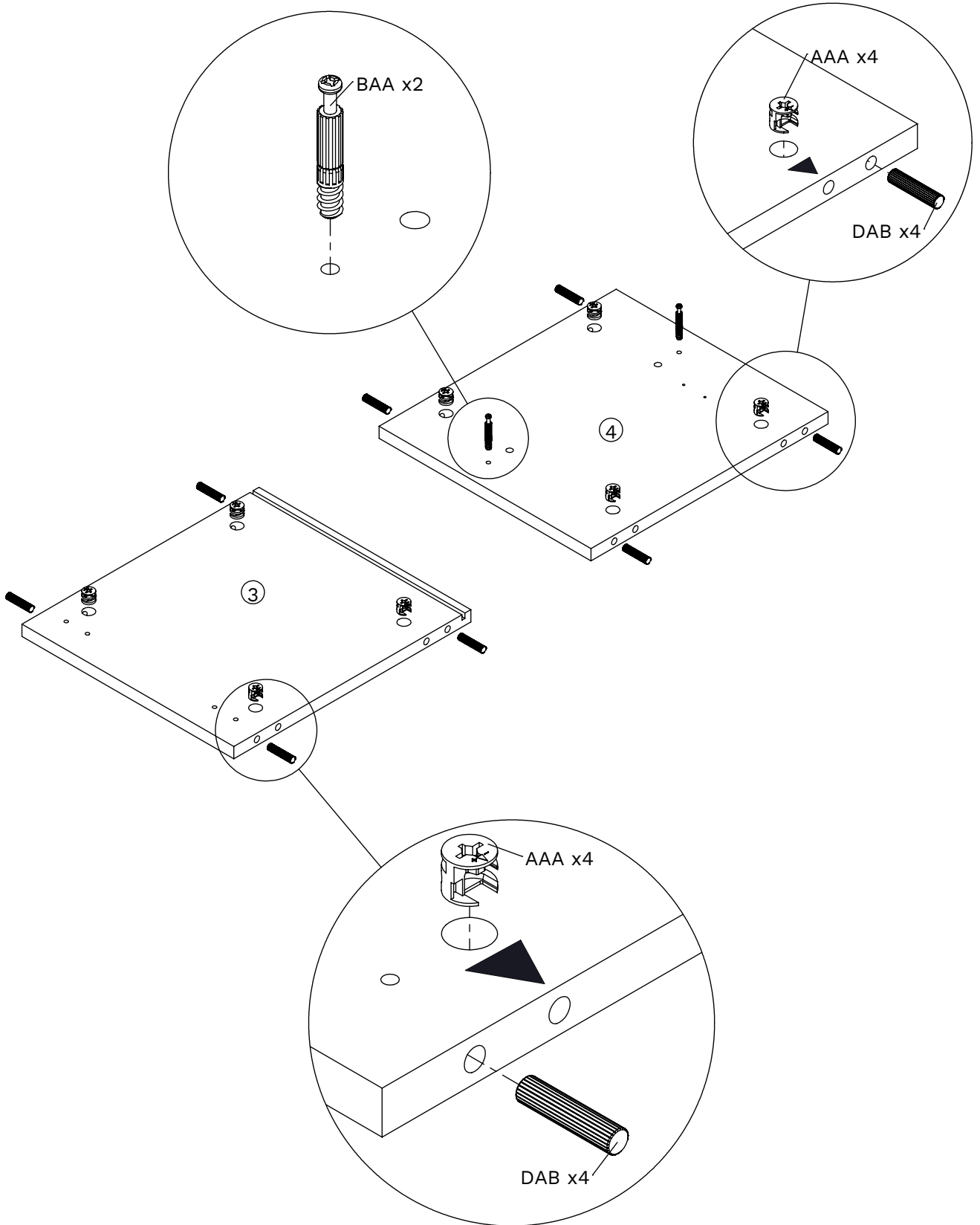
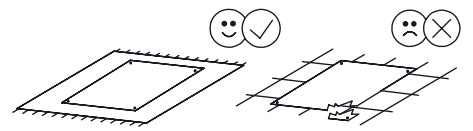
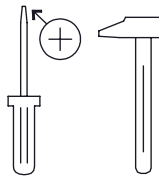
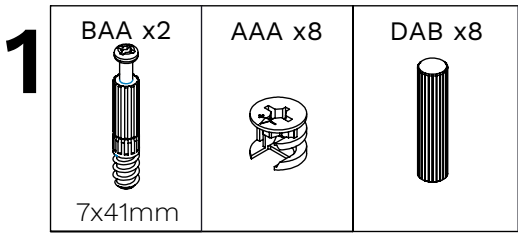
0512.053





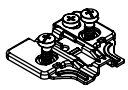
Ø 3,5 x 16 mm

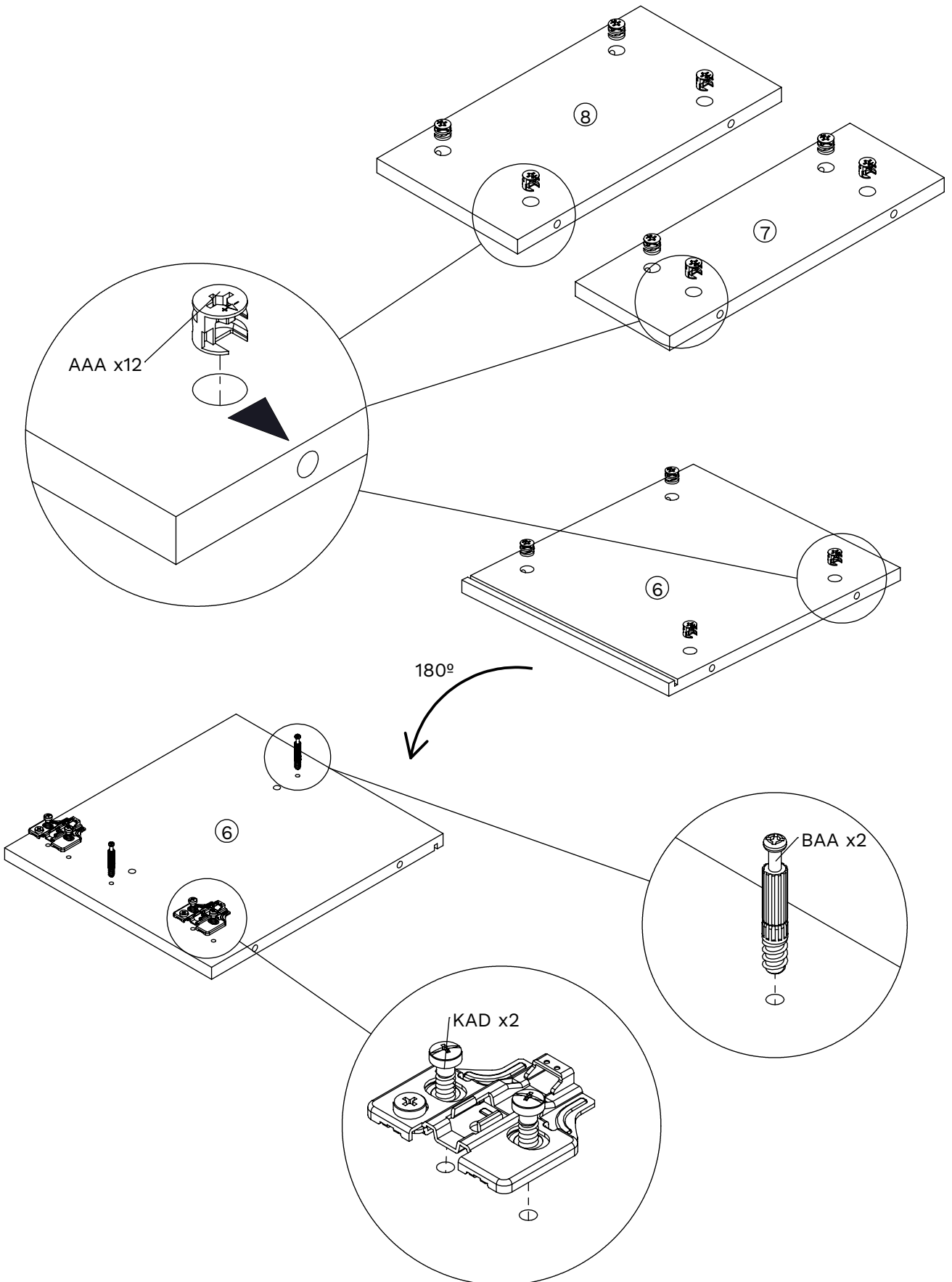
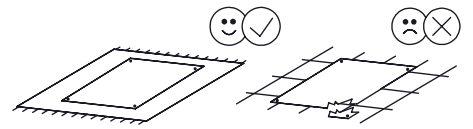
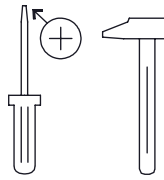
UK x 1

GGC x 4



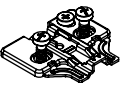
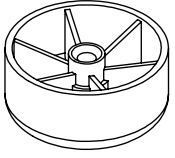


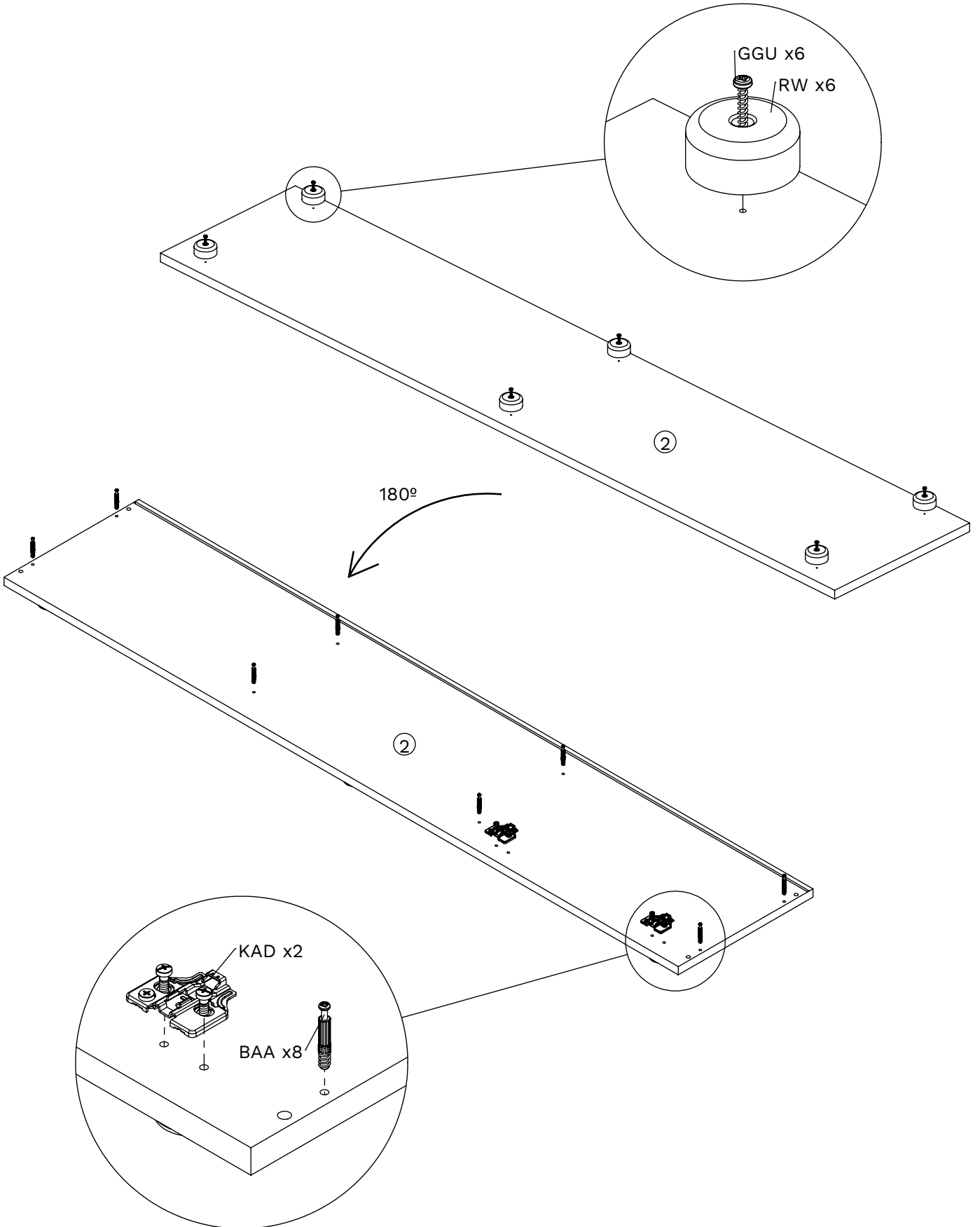
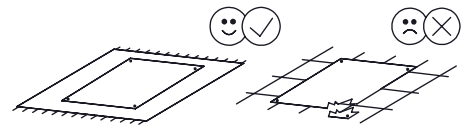
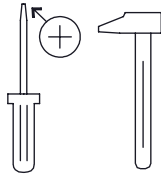
# 2

BAA x2  7x41mm	AAA x12 	KAD x2 
--	--	---




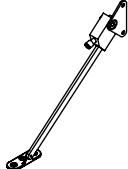
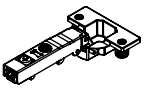
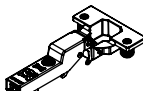


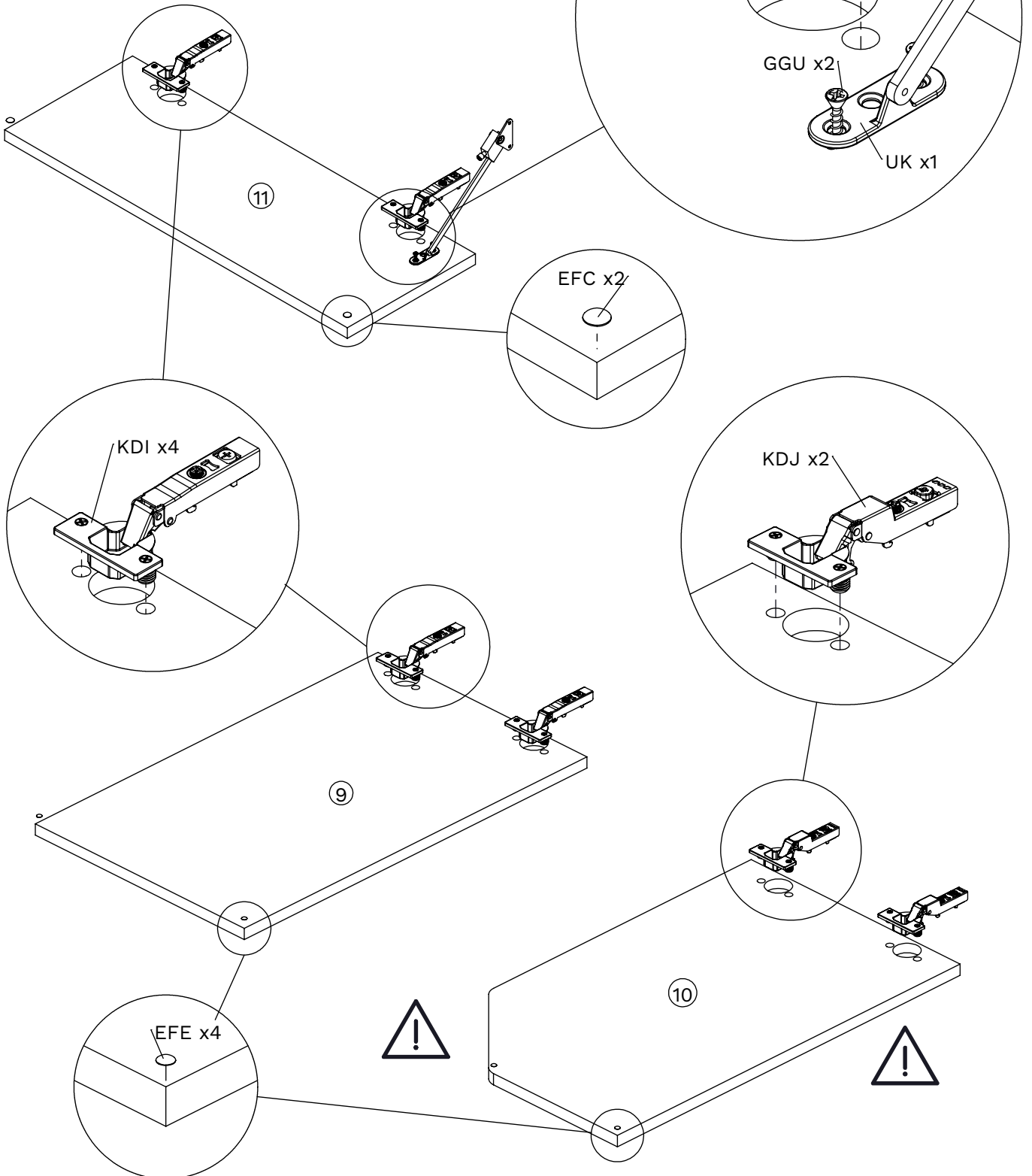
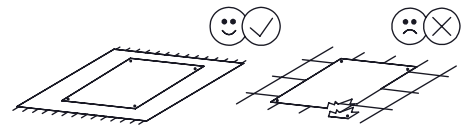
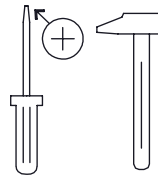
# 3

BAA x8  Ø7x41mm	GGU x6  Ø3,5x25mm	KAD x2 	RW x6 
---	--	---	--






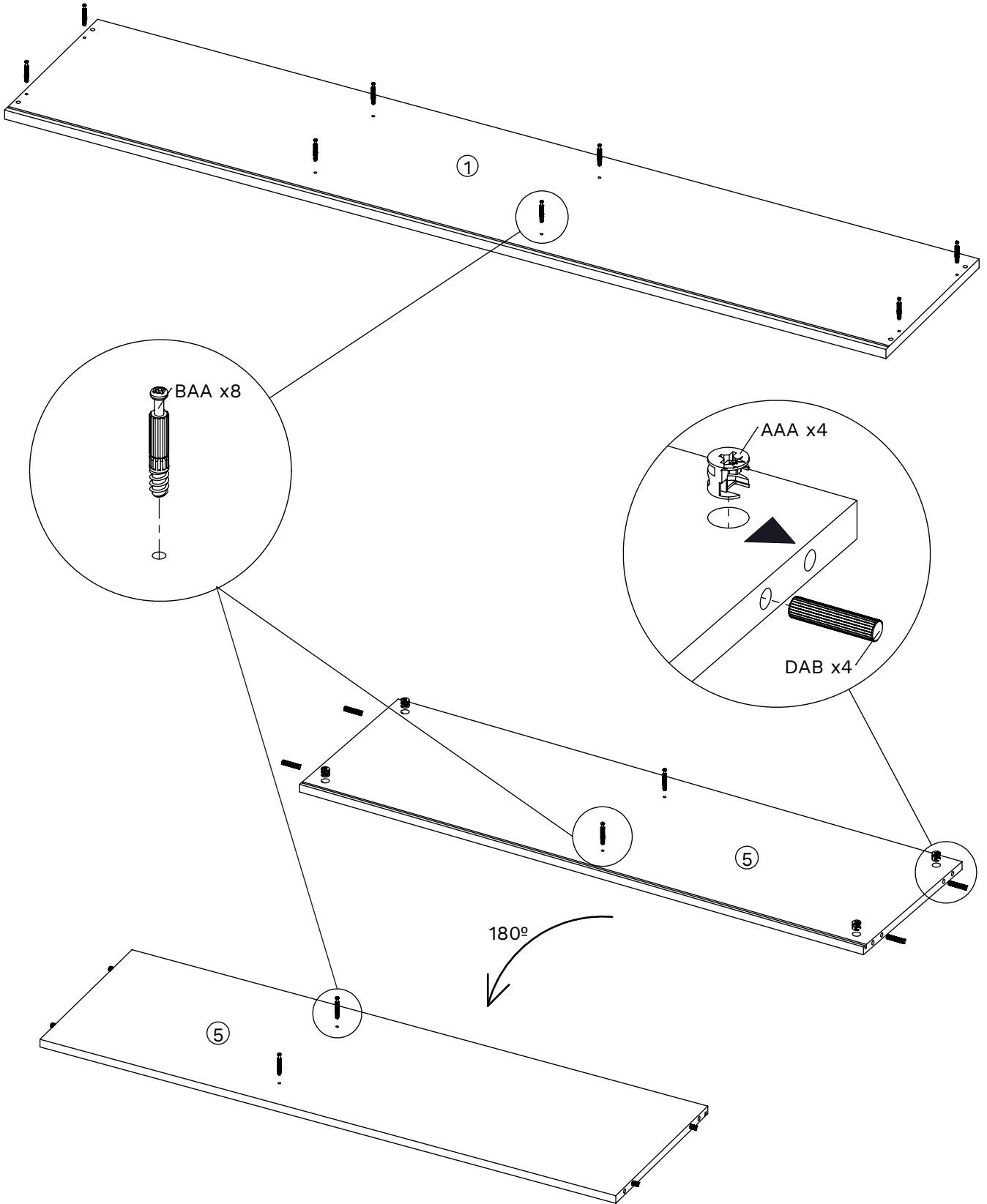
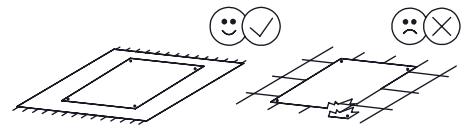
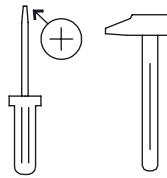
# 4

GGU x2  3,5x16mm	EFE x4 	EFC x2 	UK x1 
KDI x4 	KDJ x2 		



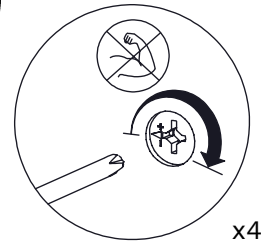
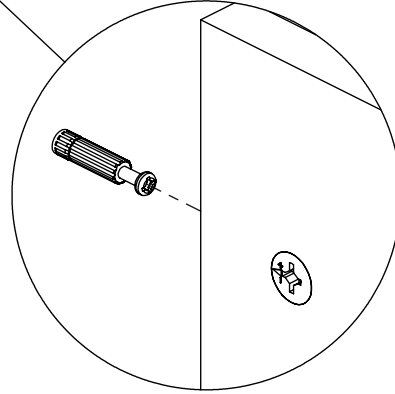
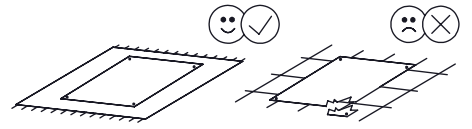
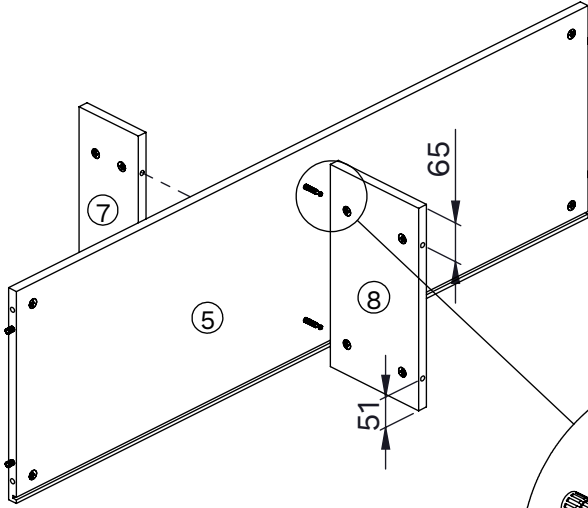
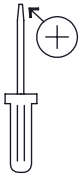
# 5

BAA x12  7x41mm	AAA x4 	DAB x4 
---	---	---



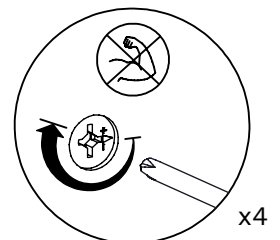
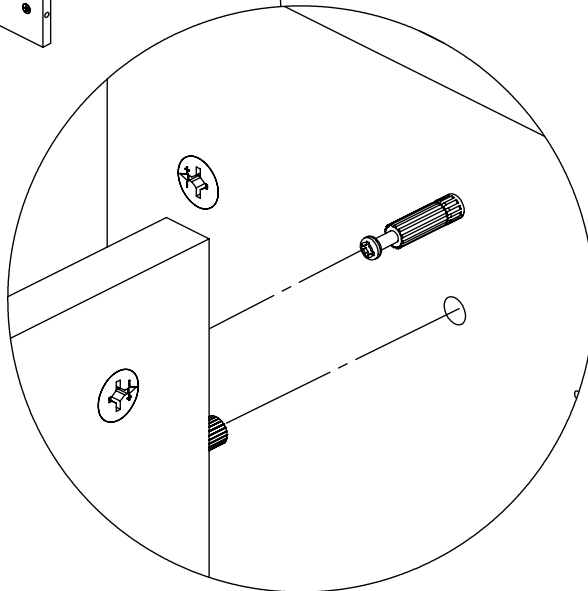
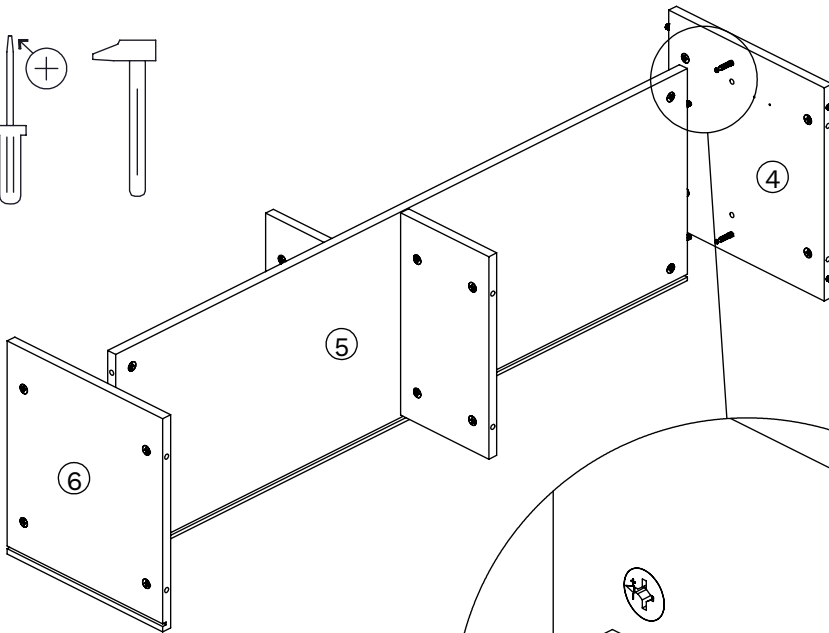
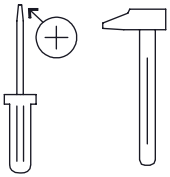


# 6



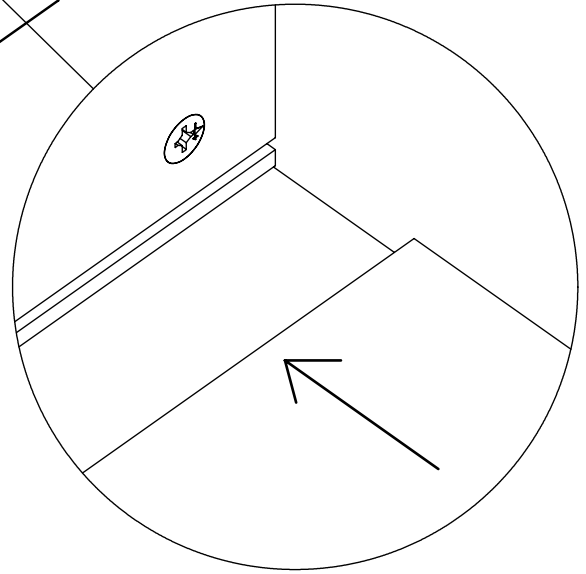
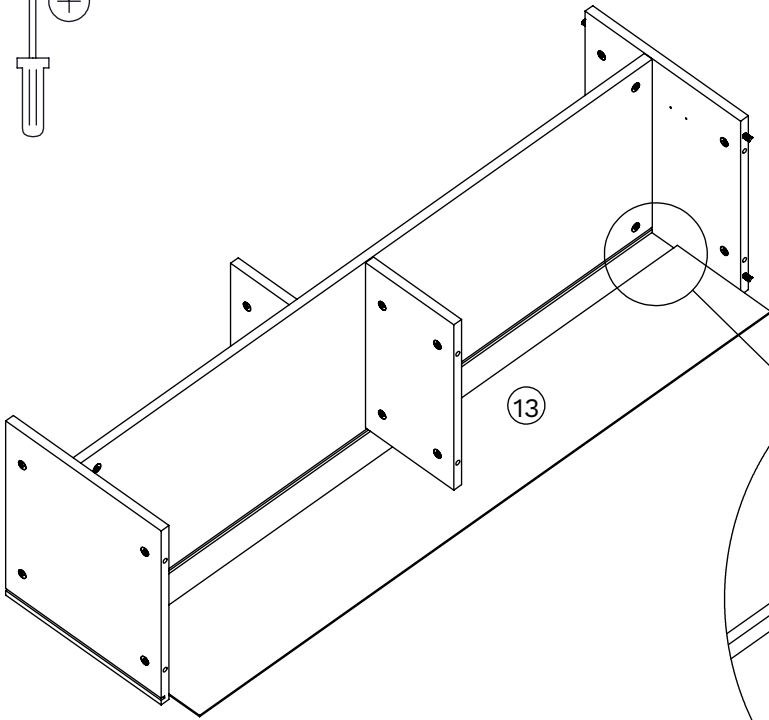
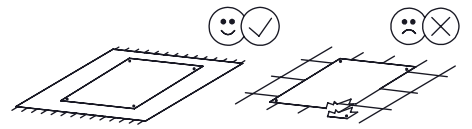
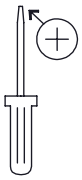
x4

# 7

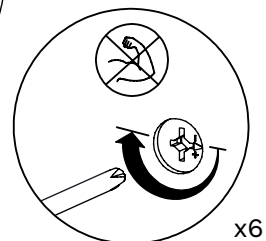
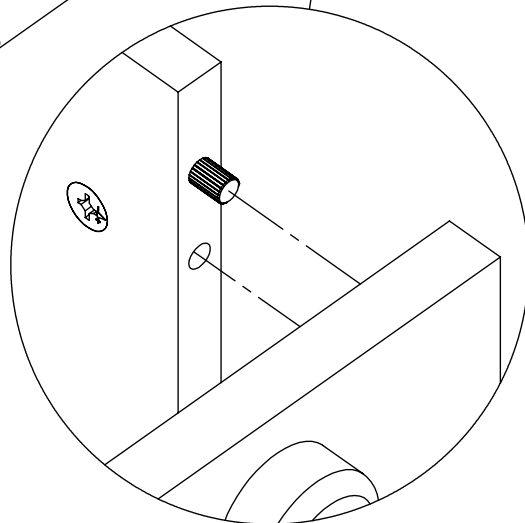
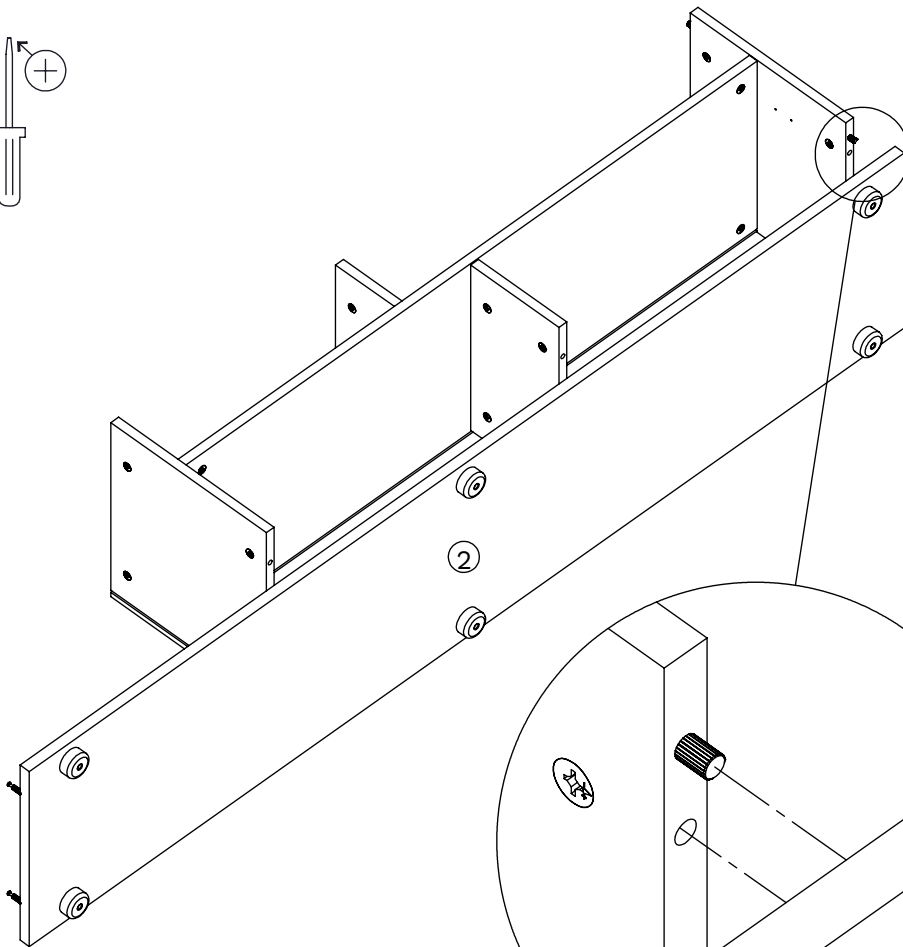
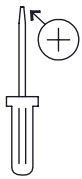


x4

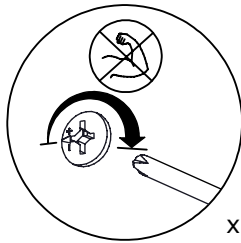
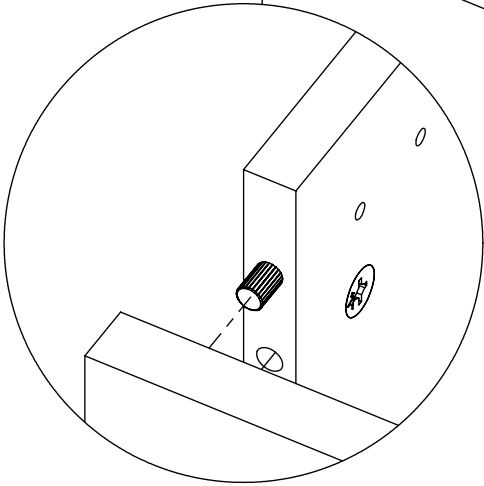
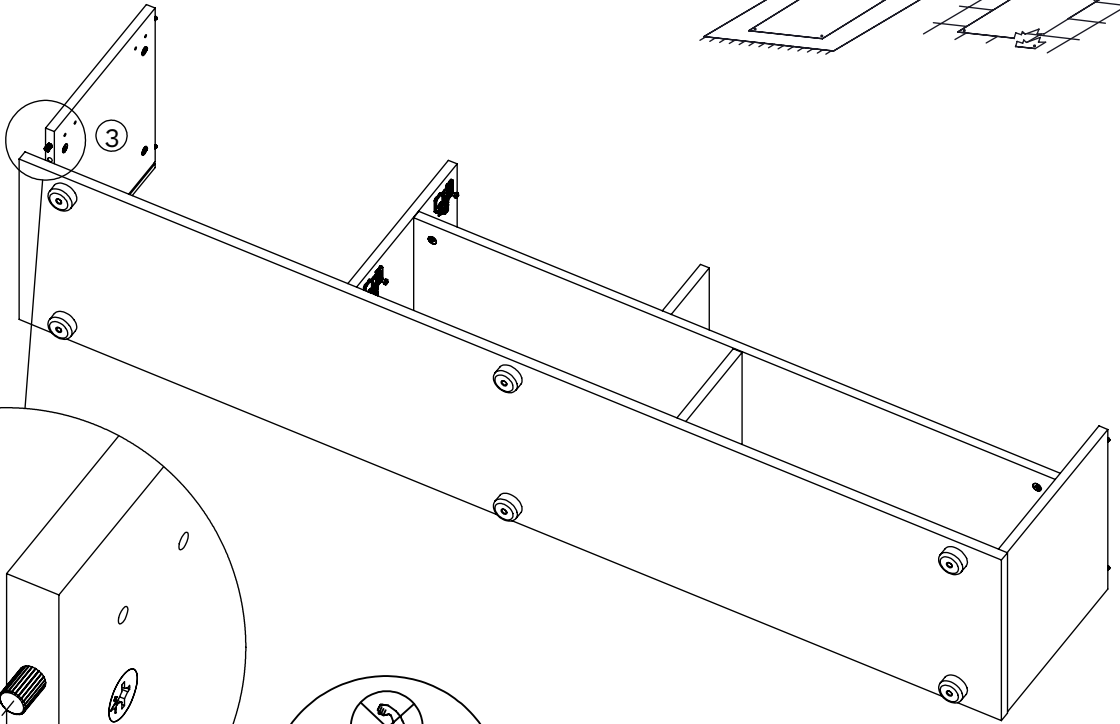
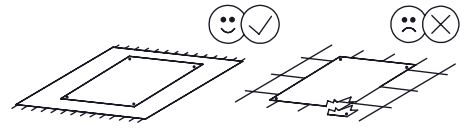
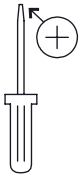
8



9

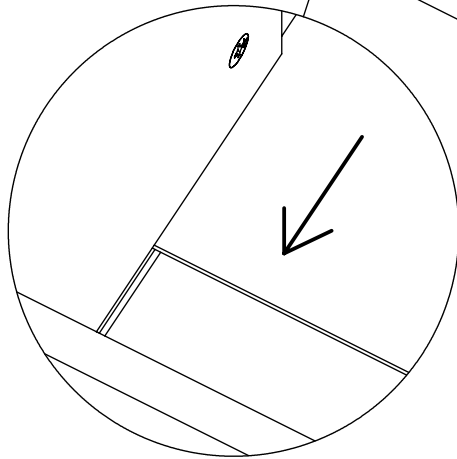
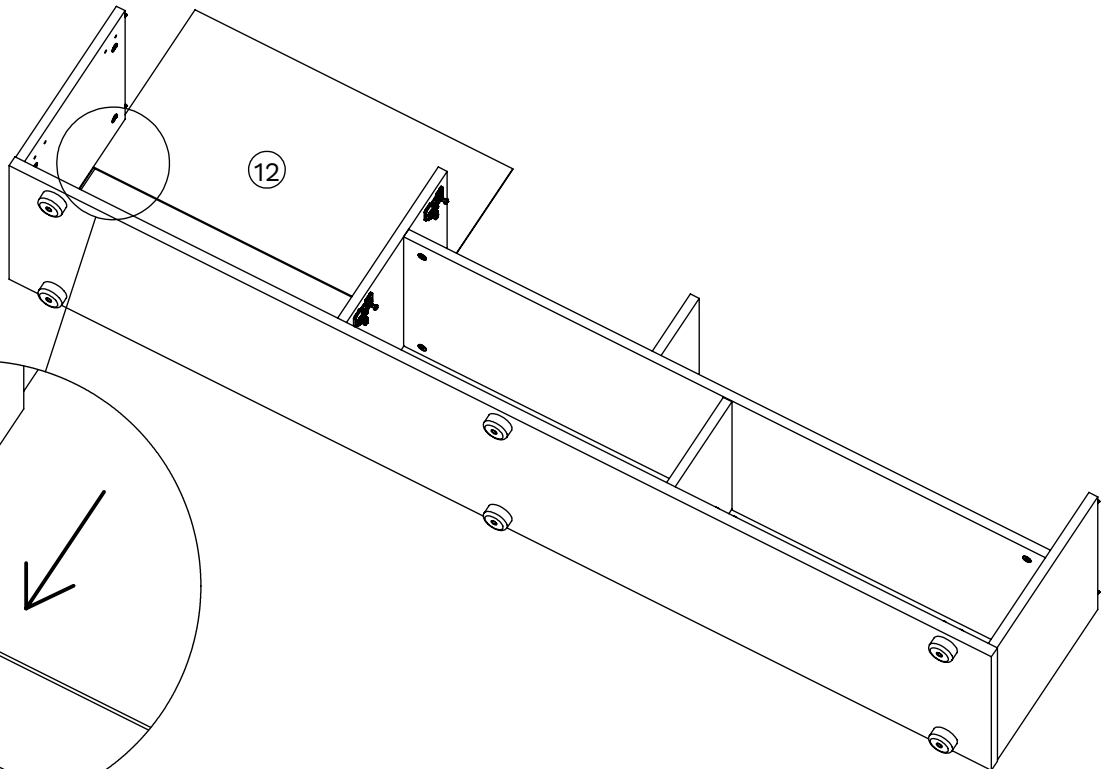
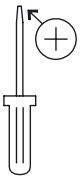


# 10

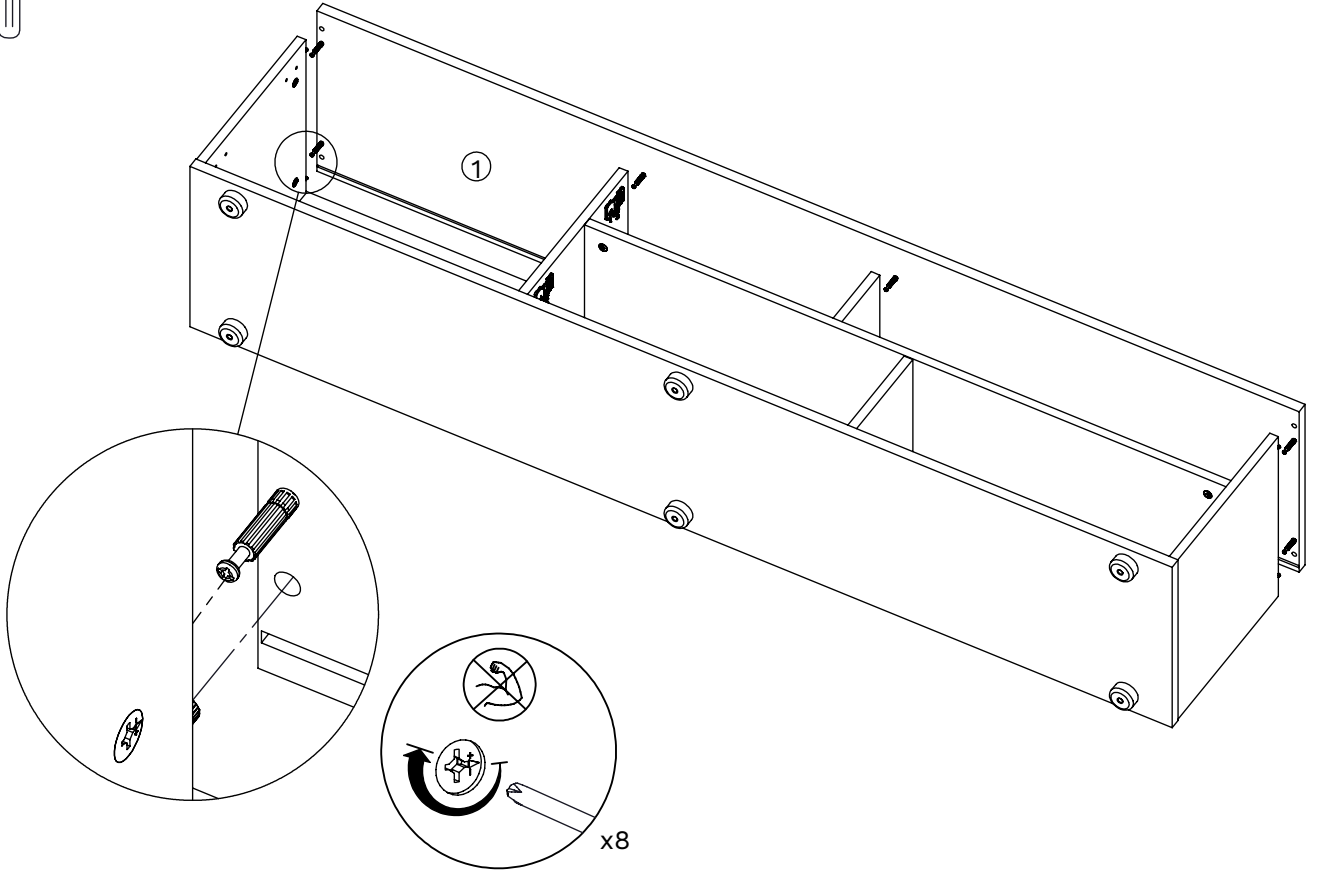
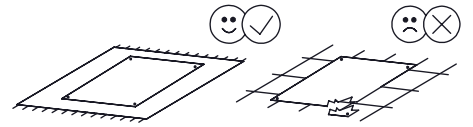


x2

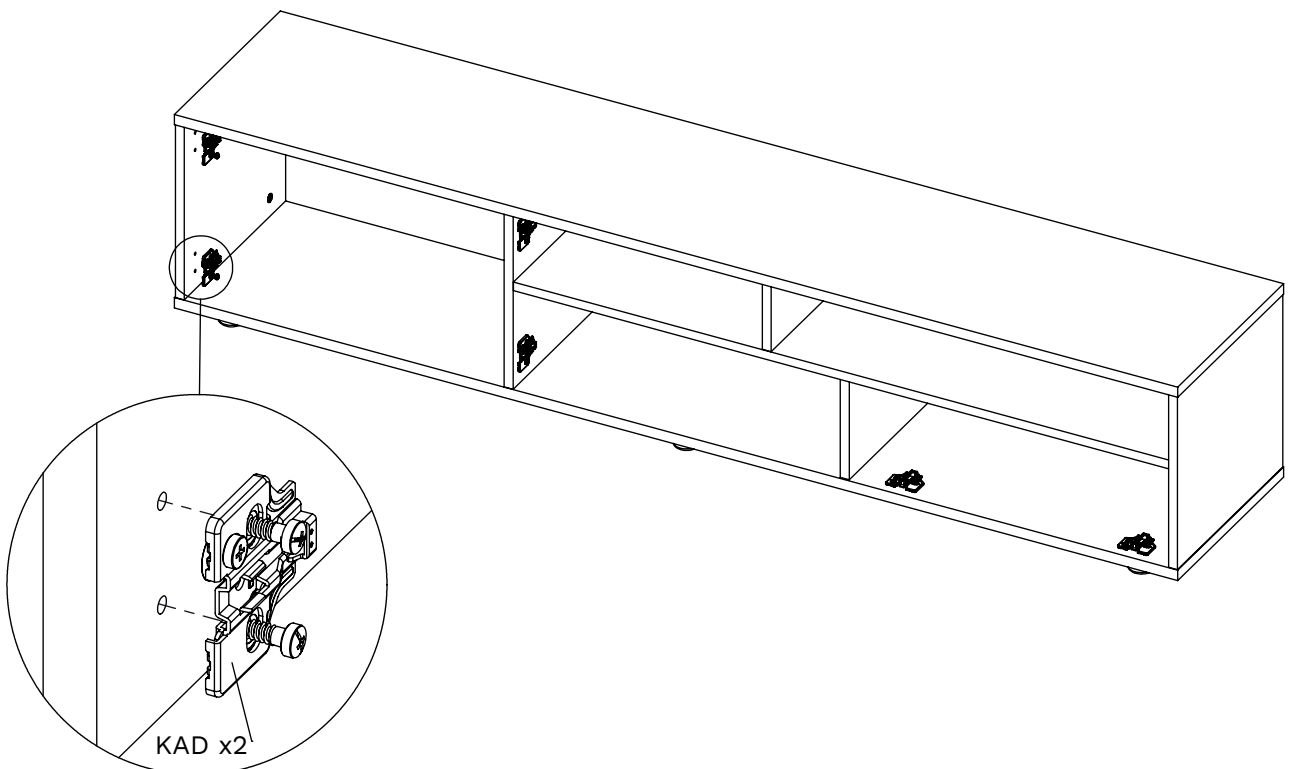
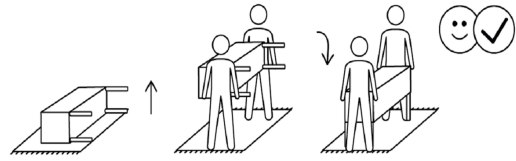
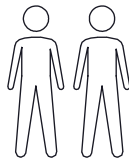
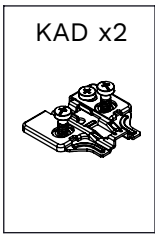
# 11



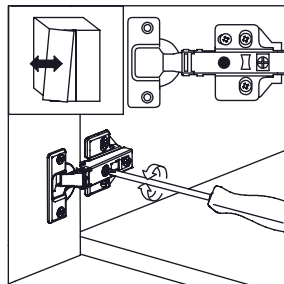
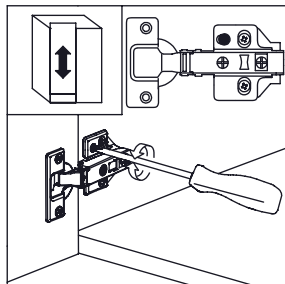
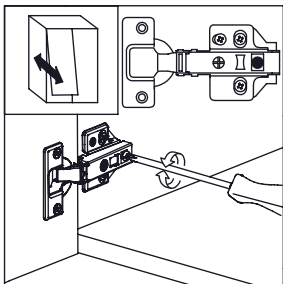
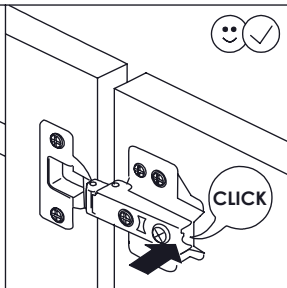
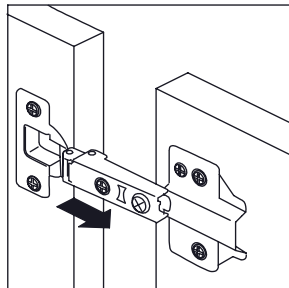
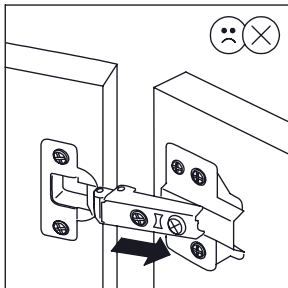
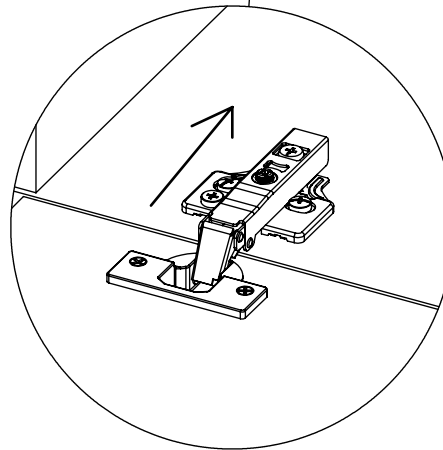
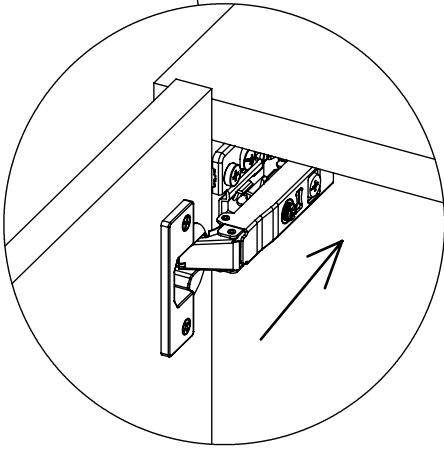
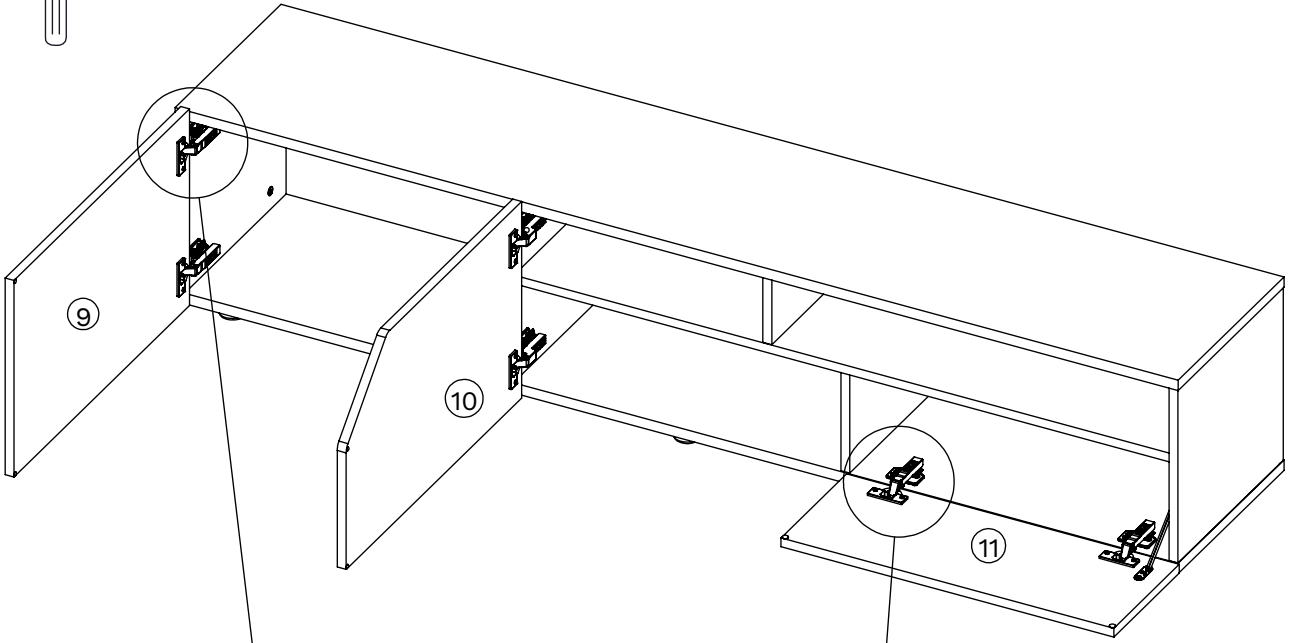
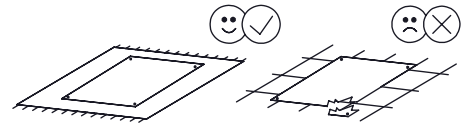
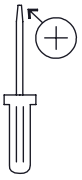
# 12






# 13



# 14



# 15

GGC x2	EDF x16	EDE/EDN x8
		
3,5x16mm		

