

NOTICE DE MONTAGE
 ASSEMBLING
 INSTRUCTIONS
 02.09.2021 rev 0

ELVI

3 PLACES



x1



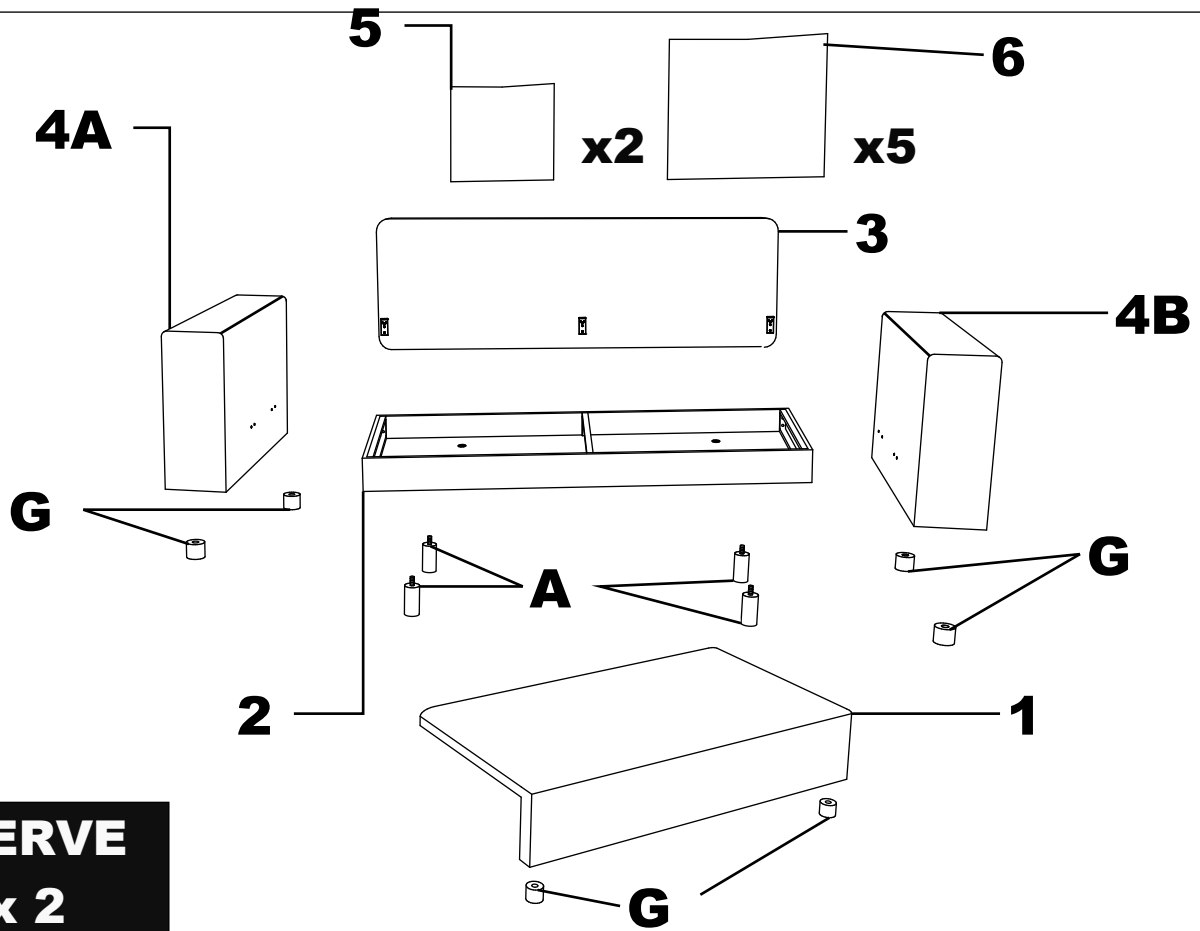
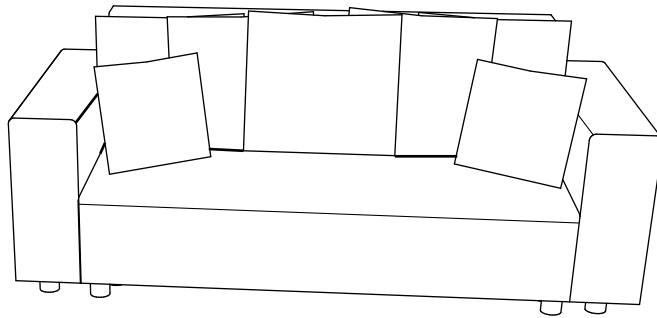
x1



30 min



x2

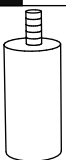


RESERVE

x 2



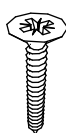
A x4



B x6



C x6



D x4



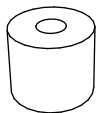
E x4



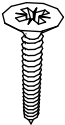
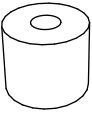
F x4

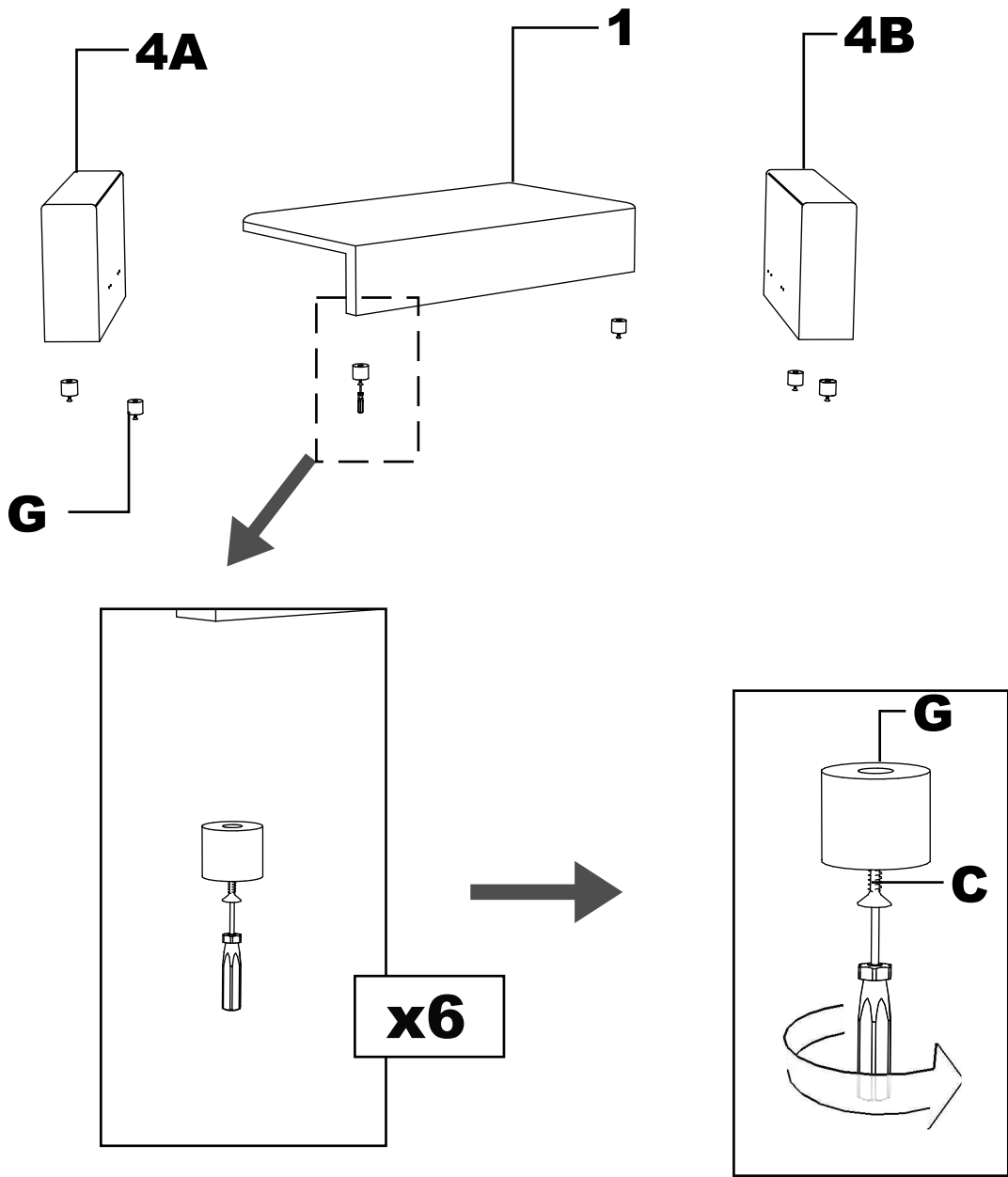


G x6

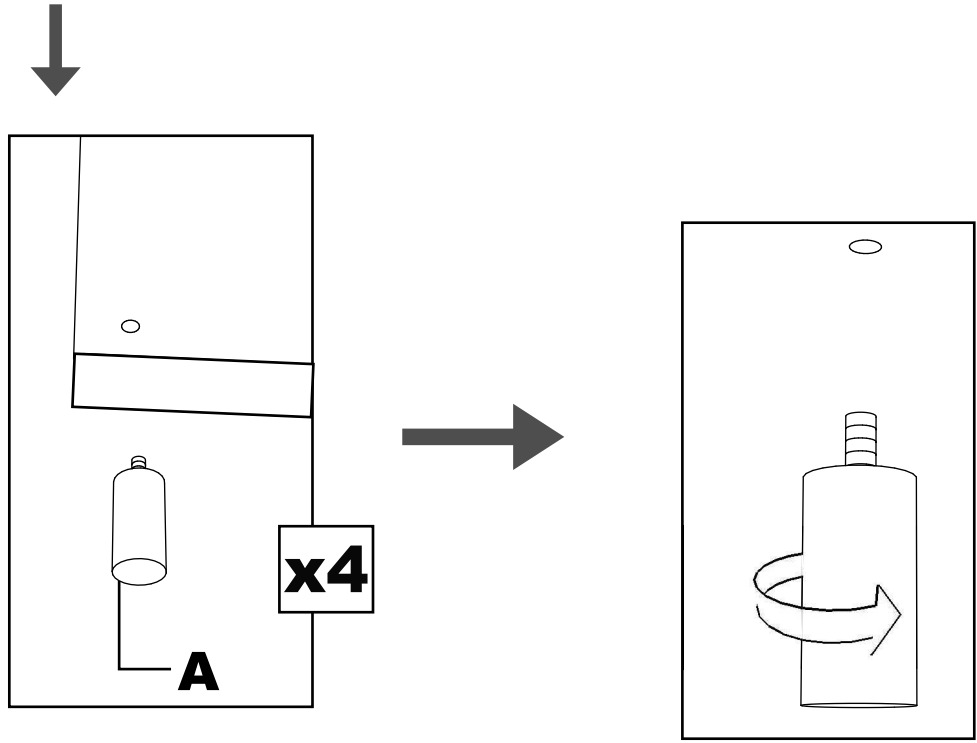
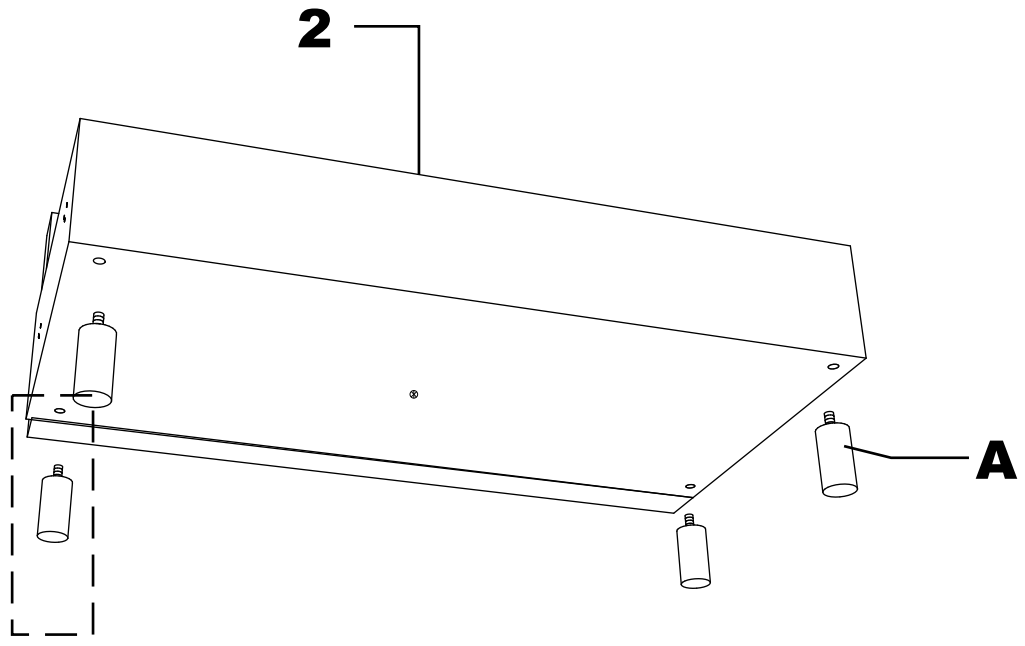
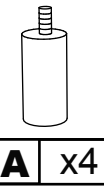


1

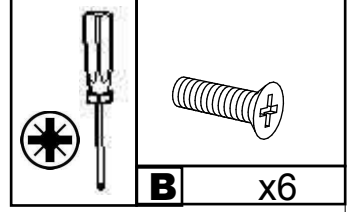
	
C x6	G x6



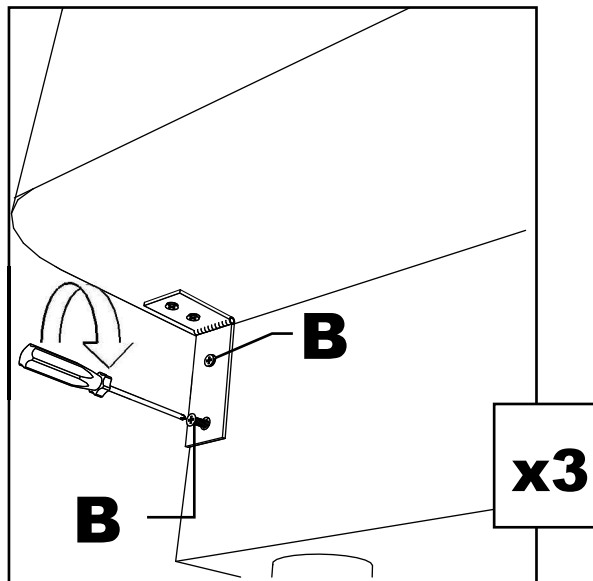
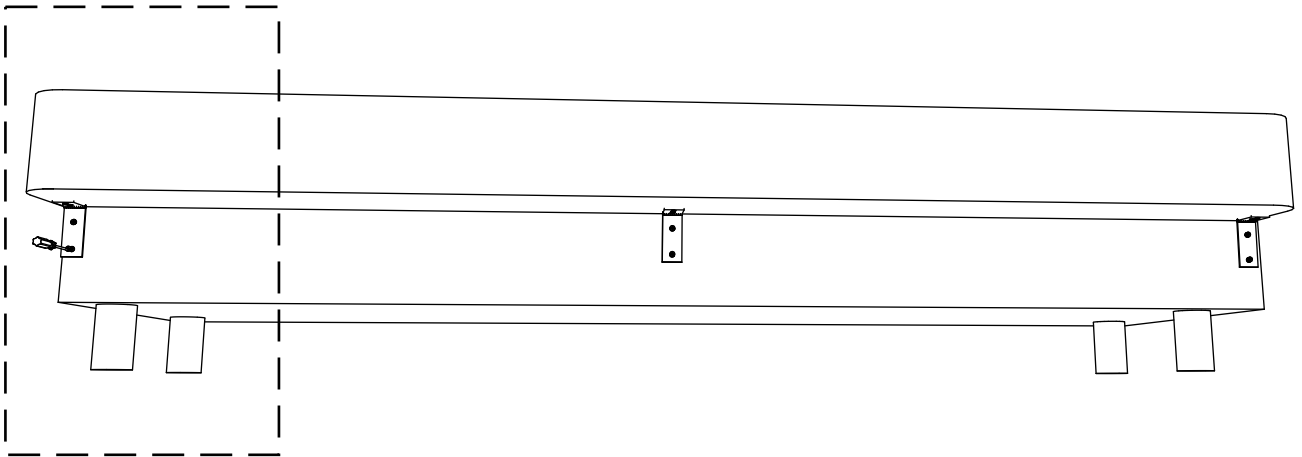
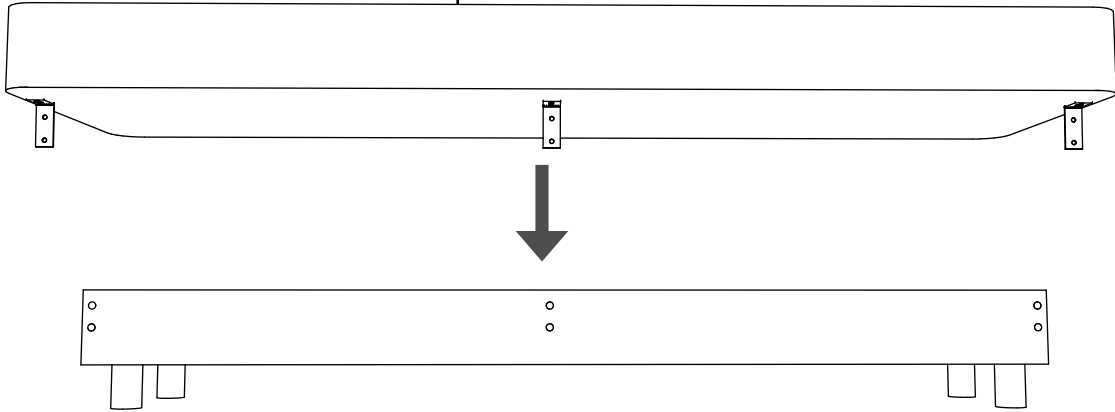
2



3



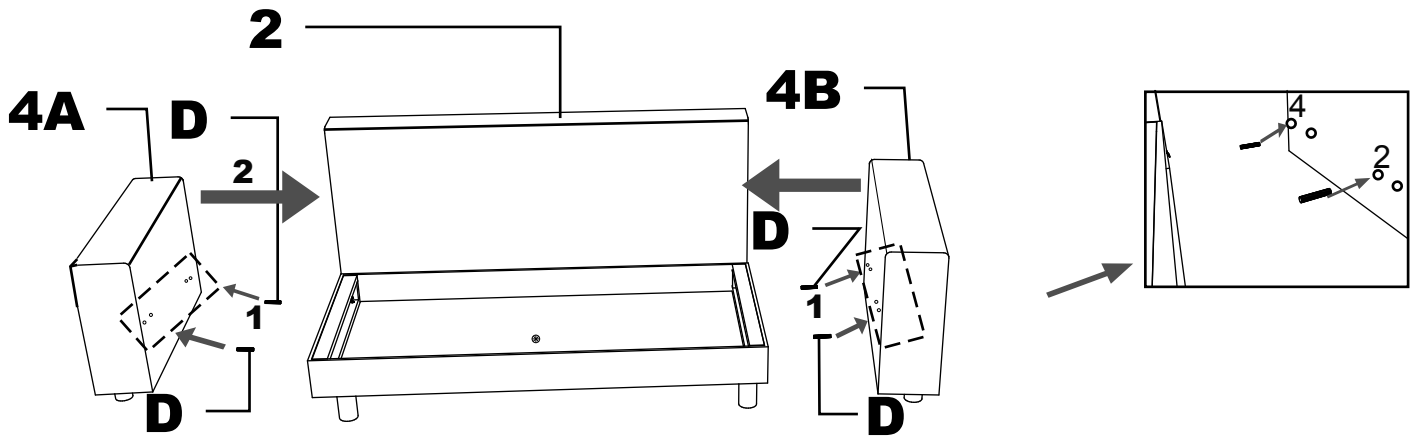
3



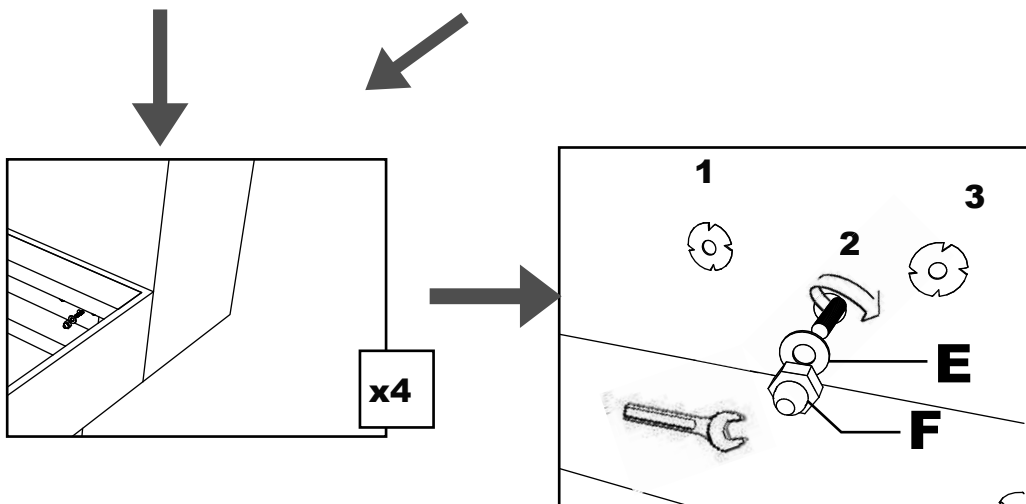
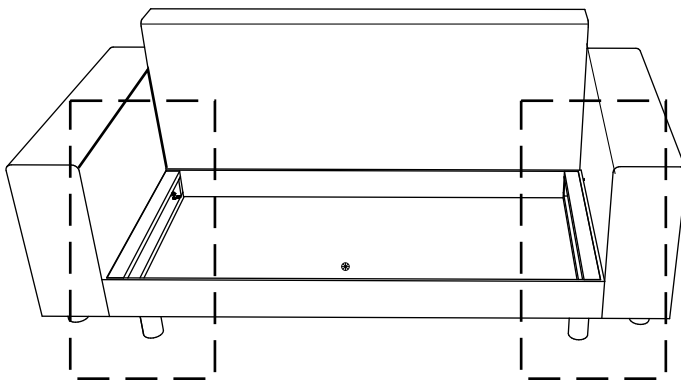
5



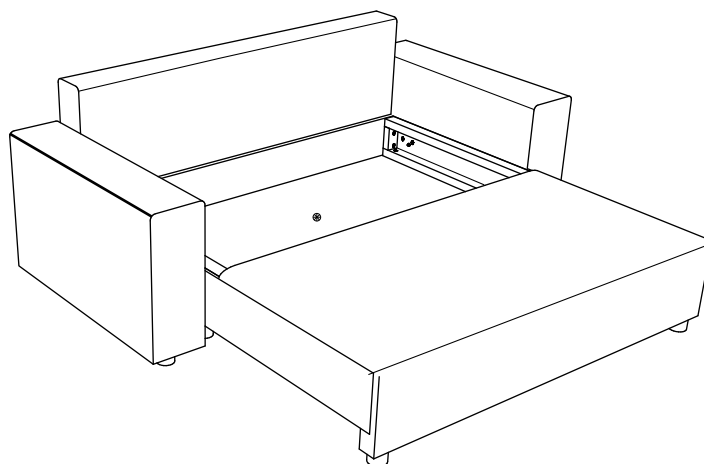
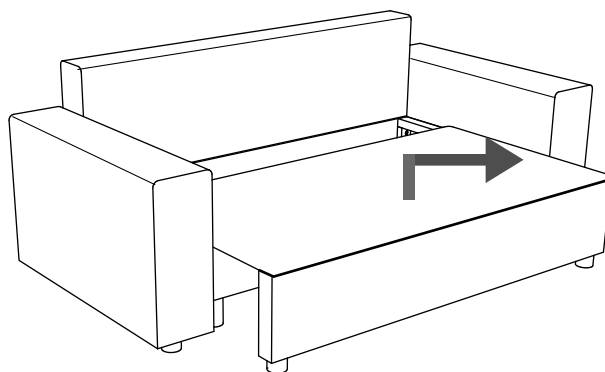
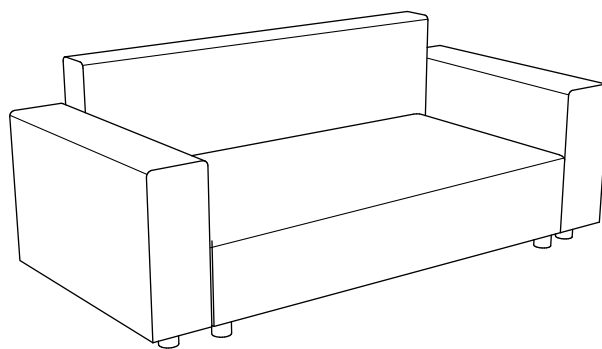
D x4



E x4 **F** x4



9



10

