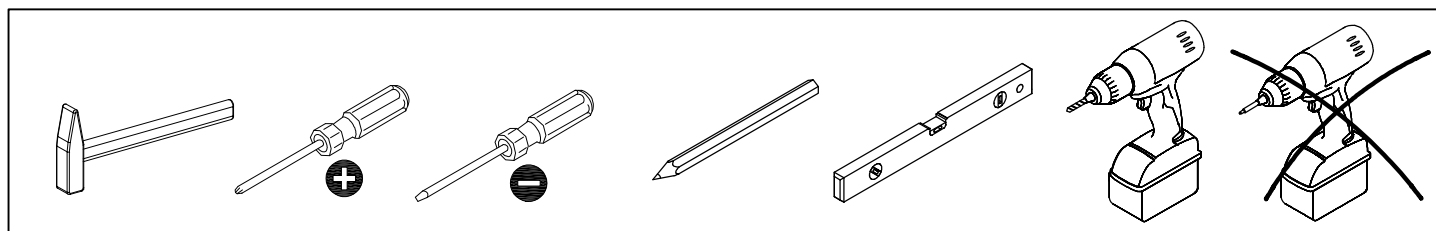
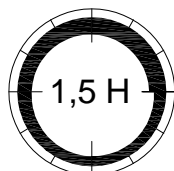
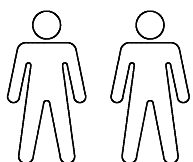
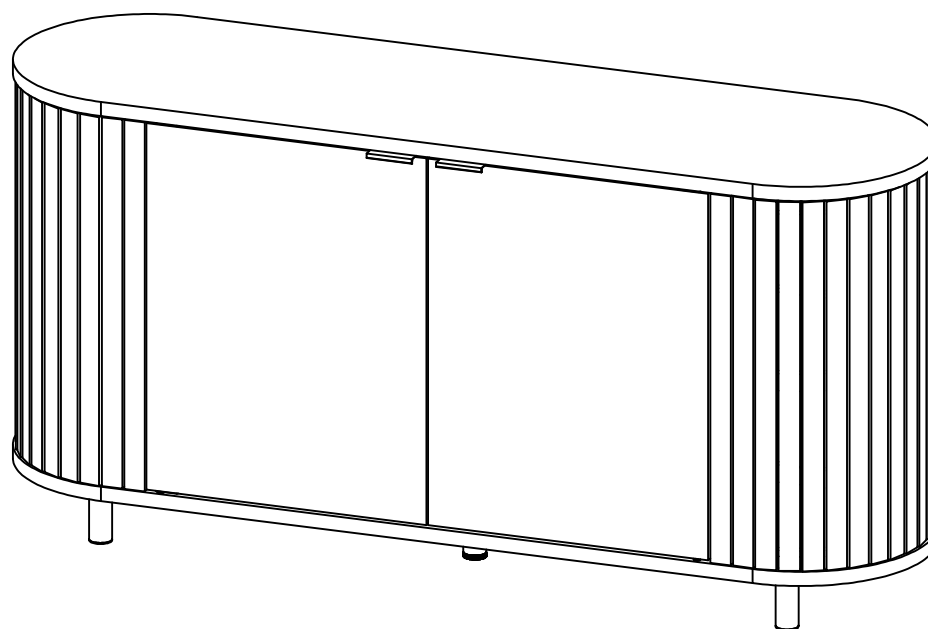
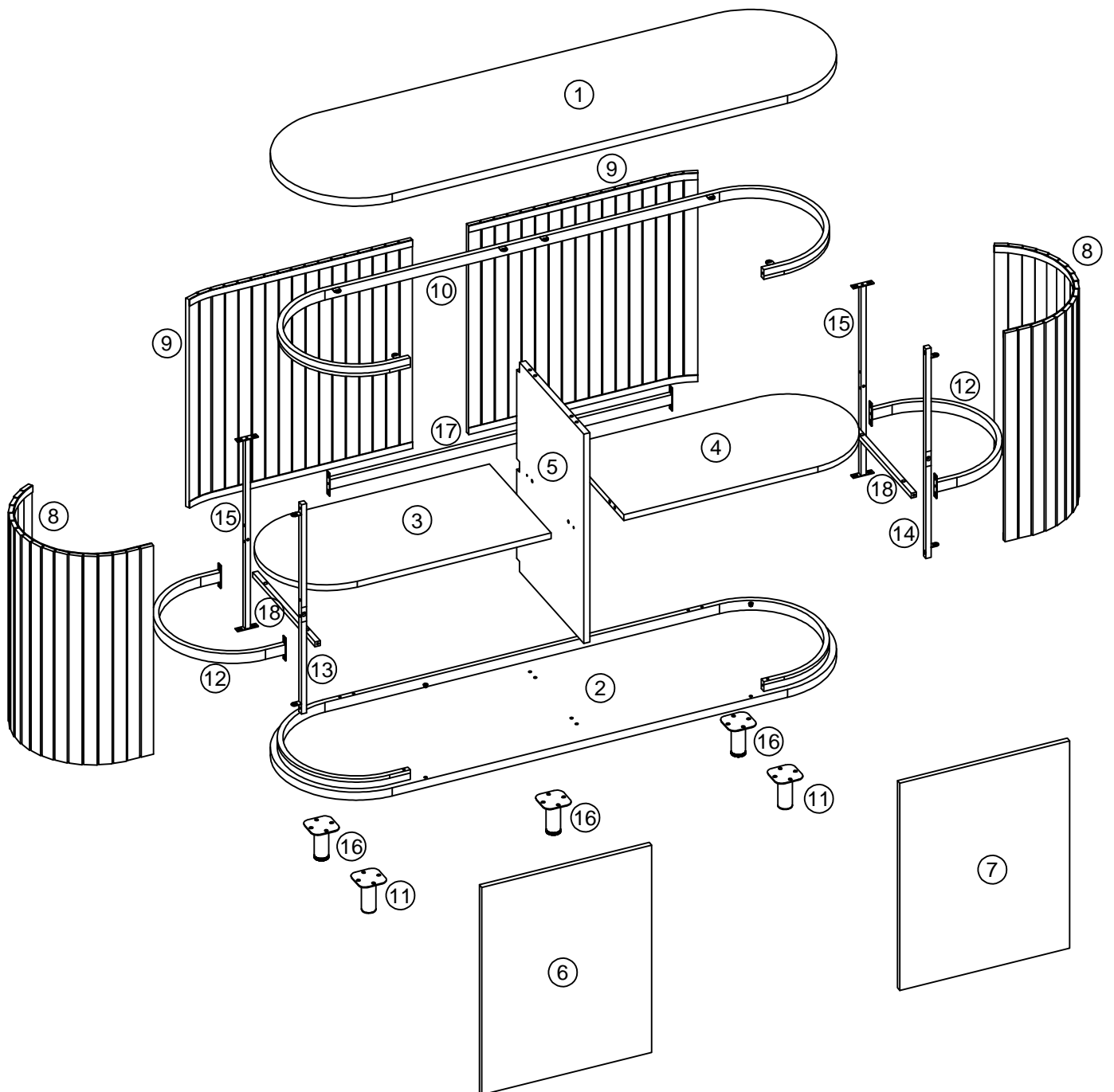


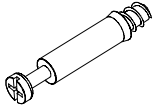

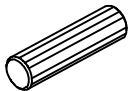
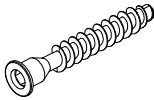
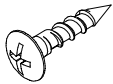
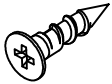
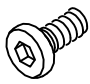
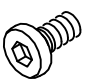


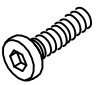
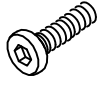

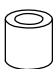

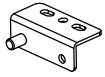
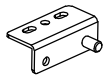
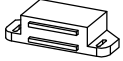

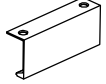


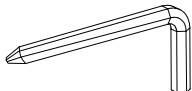
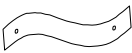
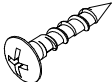

# COLIMA



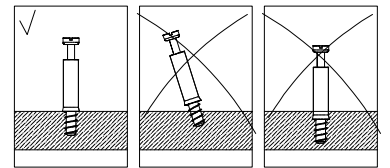
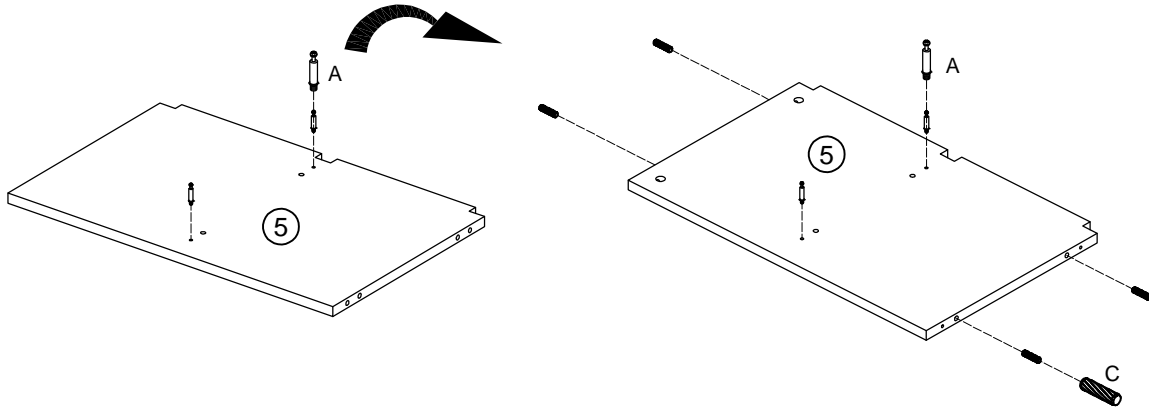
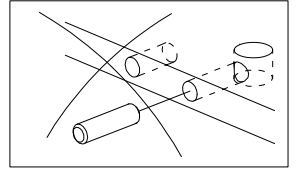
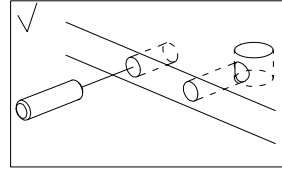
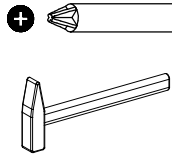
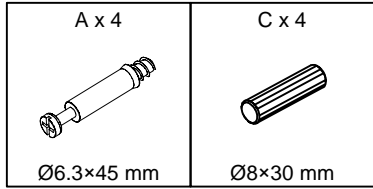
			✓
①	1	1602x450x25	
②	1	1602x450x55	
③	1	755x380x18	
④	1	755x380x18	
⑤	1	650x413x18	
⑥	1	643x495x15	
⑦	1	643x495x15	
⑧	2	647x645x12	
⑨	2	647x662x12	

⑩	1	1565x413x30	
⑪	2	80x80x99	
⑫	2	413x266x70	
⑬	1	650x40x15	
⑭	1	650x40x15	
⑮	2	590x60x15	
⑯	3	80x80x96	
⑰	1	1000x70x15	
⑱	2	383x15x15	

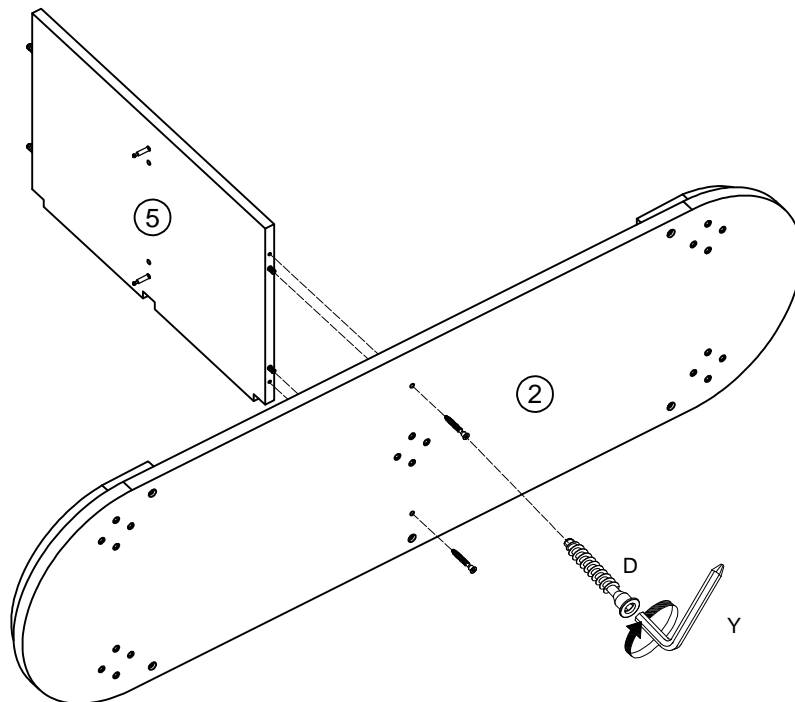
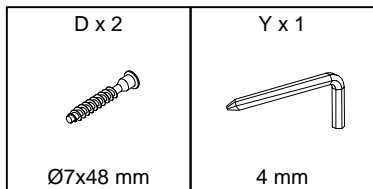


<p>A x 6</p>  <p>Ø6.3×45 mm</p>	<p>B x 6</p>  <p>Ø15×12 mm</p>	<p>C x 8</p>  <p>Ø8×30 mm</p>	<p>D x 2</p>  <p>Ø7×48 mm</p>	<p>E x 12</p>  <p>Ø3.5×12 mm</p>
<p>F x 6</p>  <p>Ø3×14mm</p>	<p>G x 38</p>  <p>M6×12 mm</p>	<p>H x 12</p>  <p>M6×8 mm</p>	<p>J x 4</p>  <p>M6×30 mm</p>	<p>K x 4</p>  <p>Ø3.5x14mm</p>
<p>L x 4</p>  <p>M6×28 mm</p>	<p>M x 2</p>  <p>M6×20 mm</p>	<p>N x 4</p>  <p>M5×20 mm</p>	<p>P x 2</p>  <p>Ø16×10 mm</p>	<p>Q x 4</p>  <p>Ø12×9 mm</p>
<p>R x 2</p>  <p>40×27×15 mm</p>	<p>S x 2</p>  <p>40×27×15 mm</p>	<p>T x 2</p>  <p>57×26×15 mm</p>	<p>U x 2</p>  <p>52×12×1.5 mm</p>	<p>V x 2</p>  <p>100×32×18 mm</p>
<p>W x 4</p>  <p>Ø5/Ø18 mm</p>	<p>X x 1</p>  <p>3mm</p>	<p>Y x 1</p>  <p>4 mm</p>	<p>Z x 2</p>  <p>150 mm</p>	<p>AA x 2</p>  <p>Ø4x16 mm</p>
<p>BB x 2</p>  <p>Ø20 mm</p>				

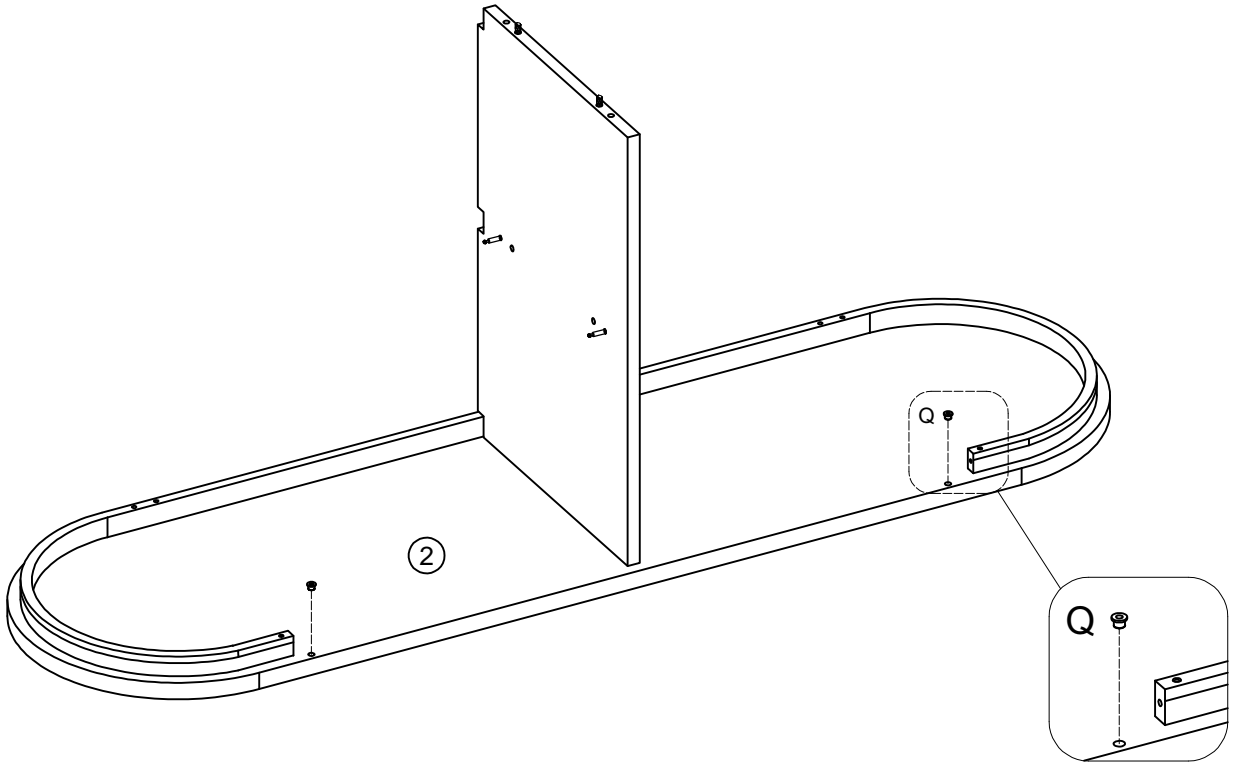
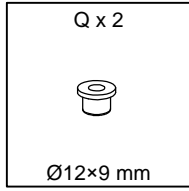
# 1



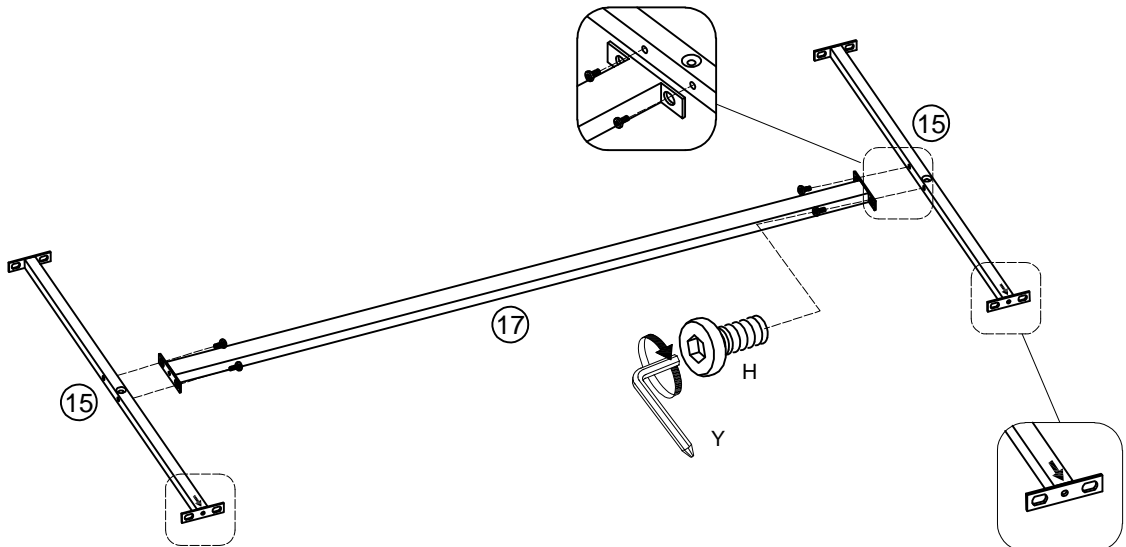
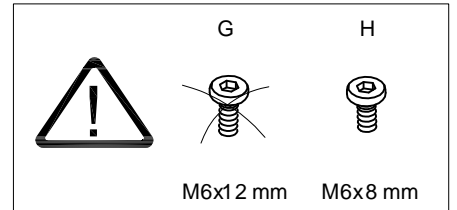
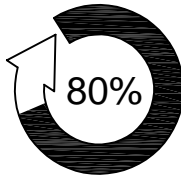
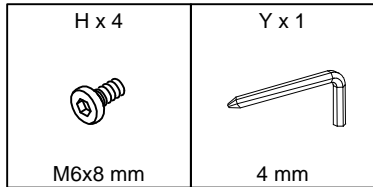
# 2



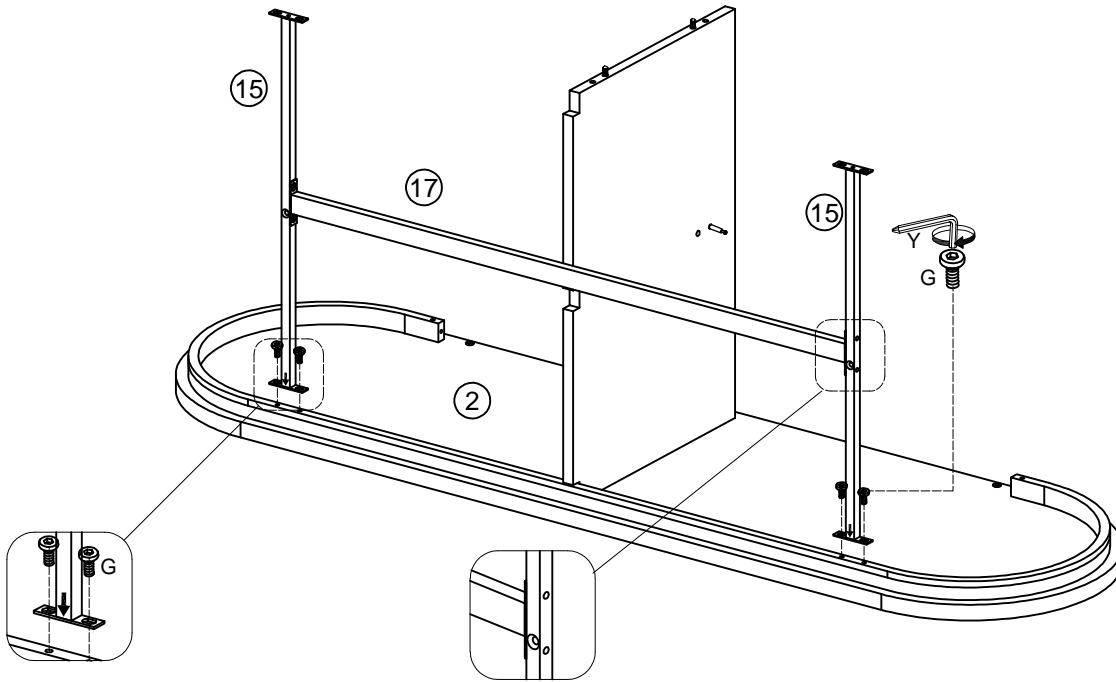
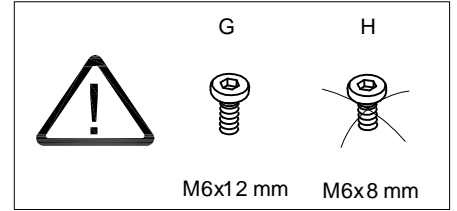
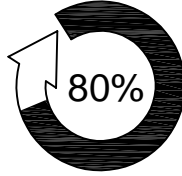
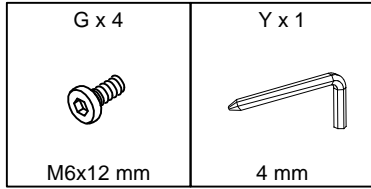
# 3



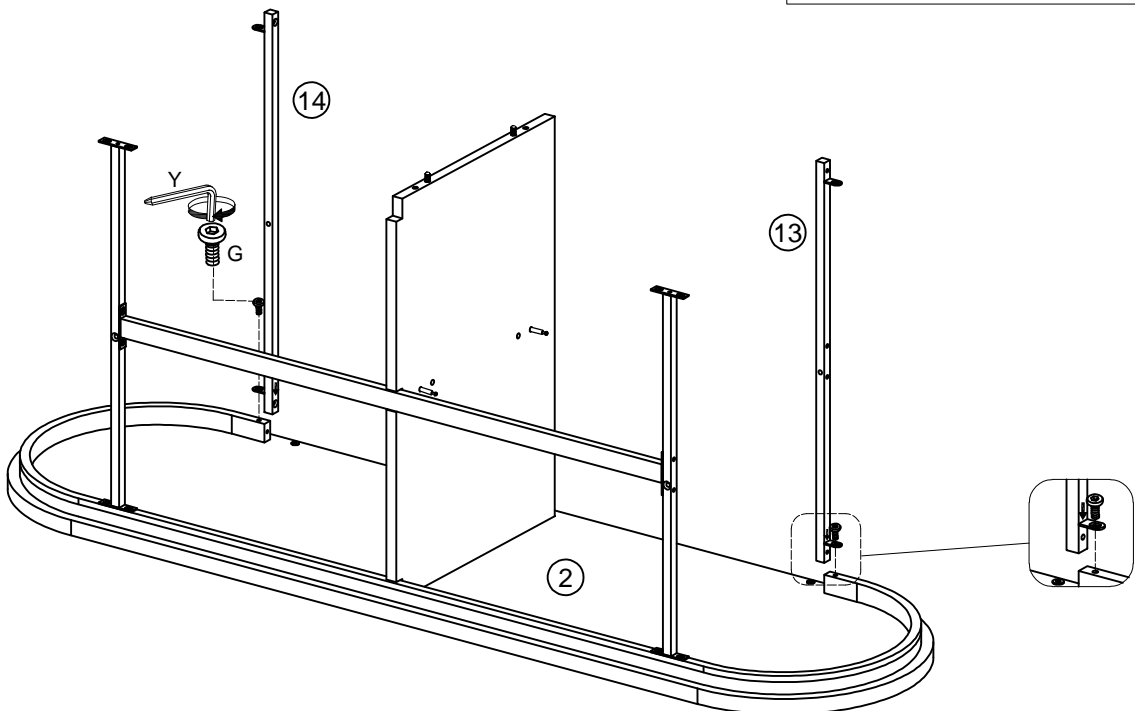
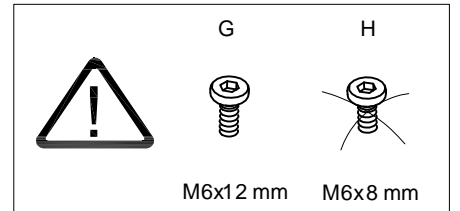
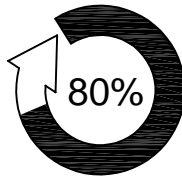
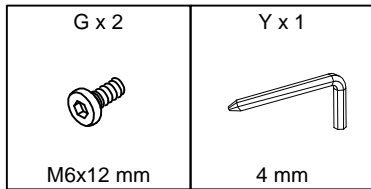
# 4





# 5

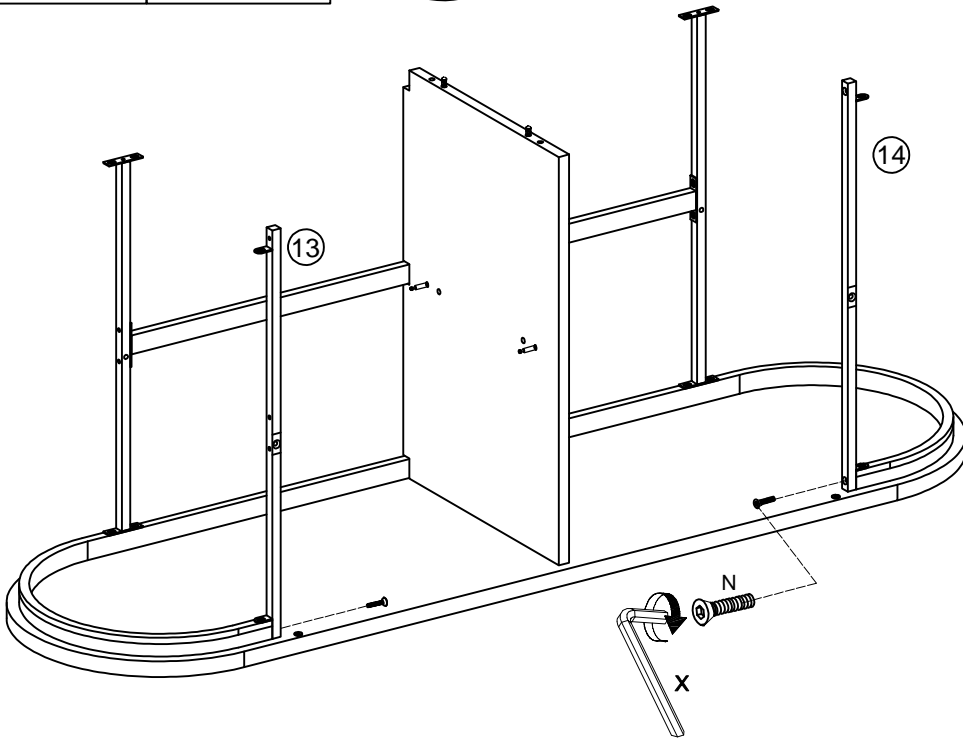
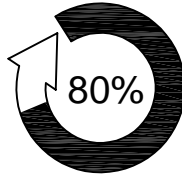


# 6





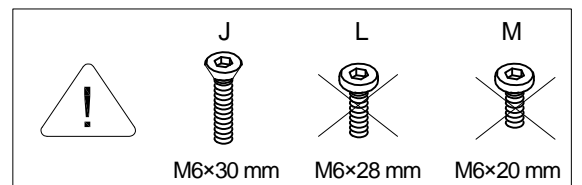
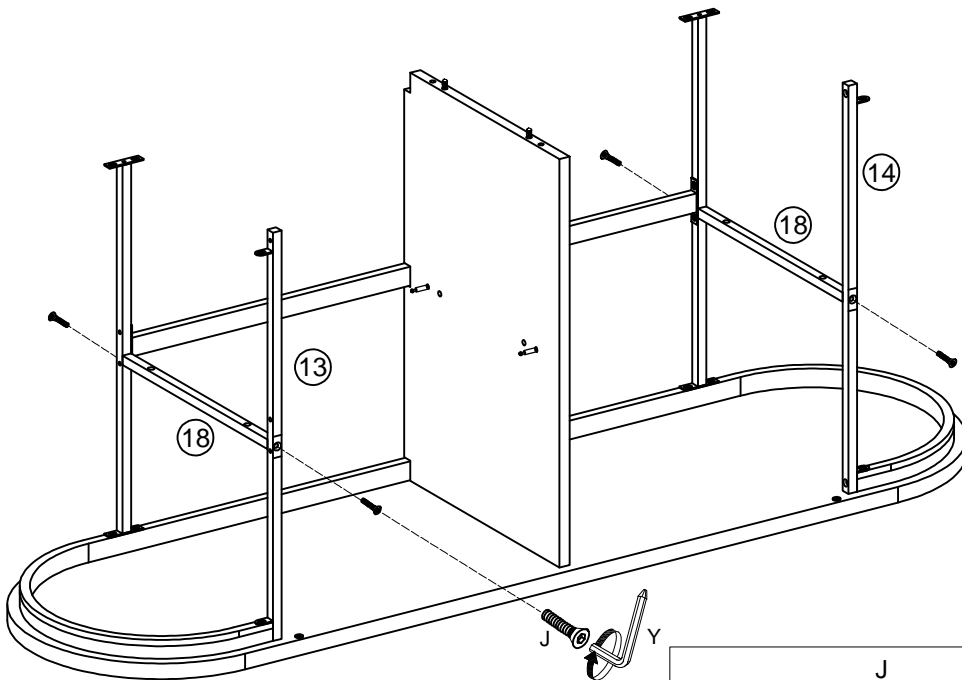
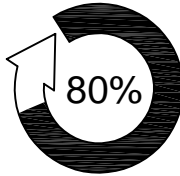
# 7

N x 2	X x 1
	
M5x20 mm	3 mm

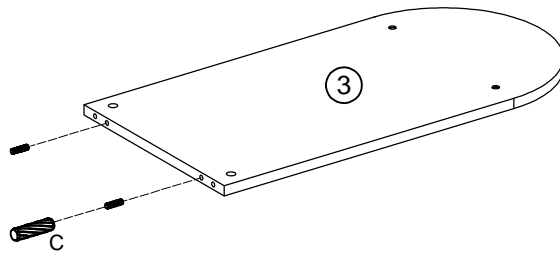
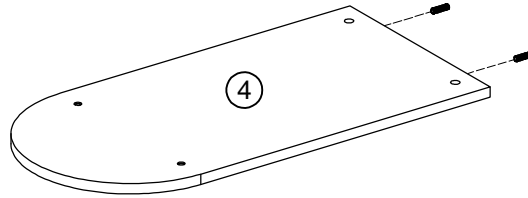
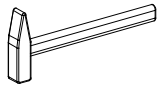
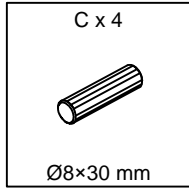


# 8

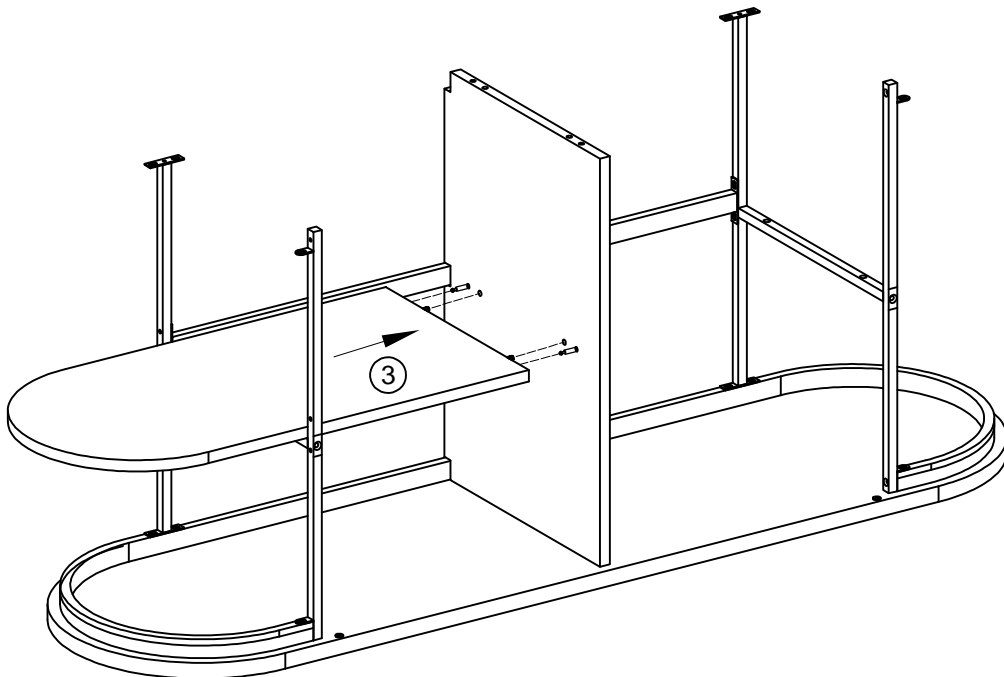
J x 4	Y x 1
	
M6x30 mm	4 mm



9

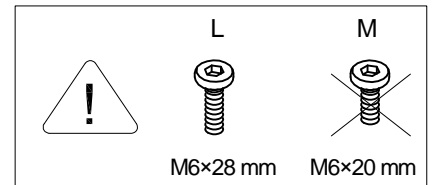
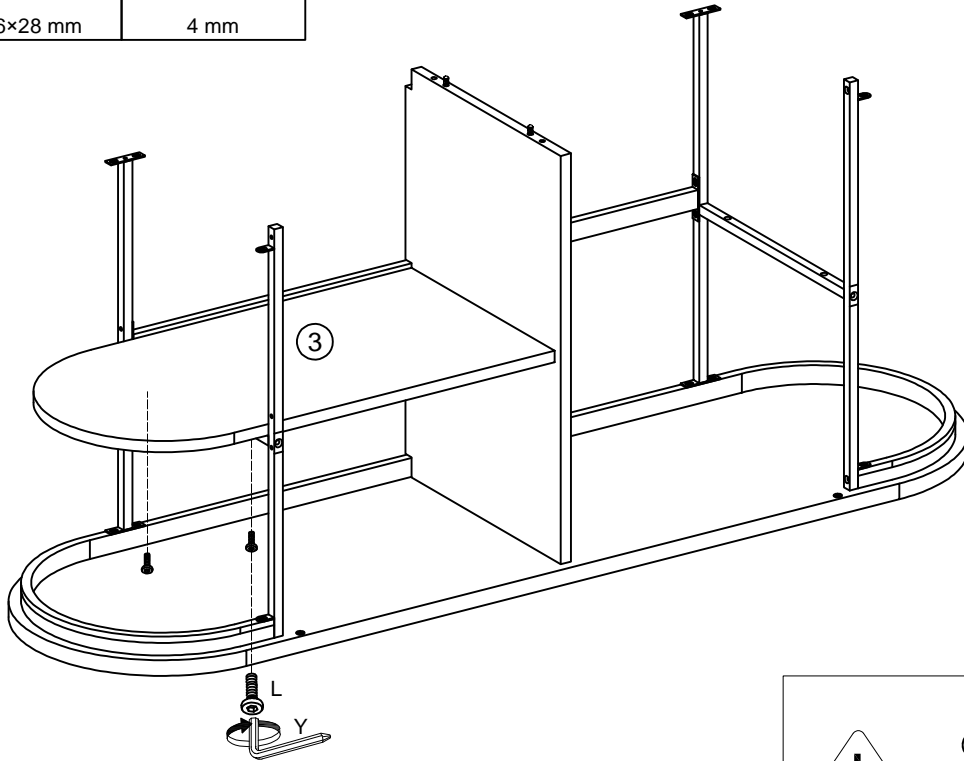
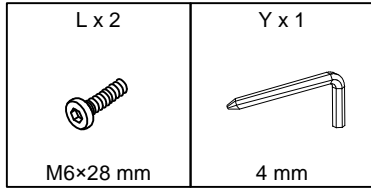


10

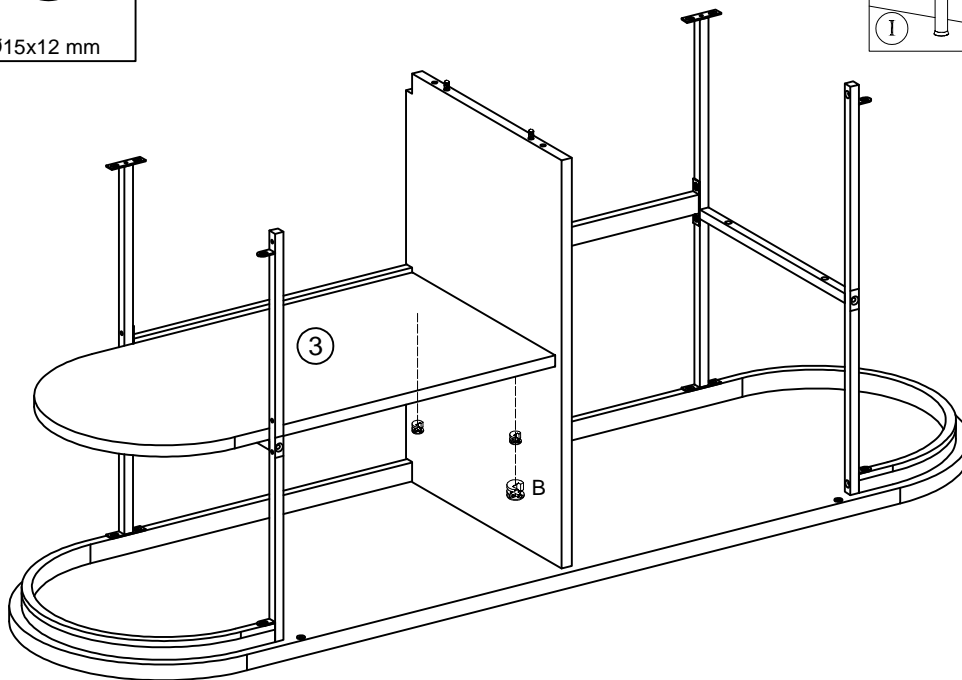
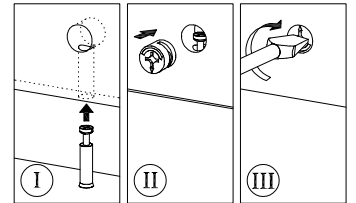
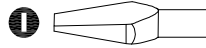
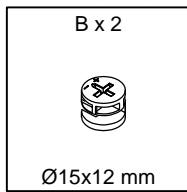




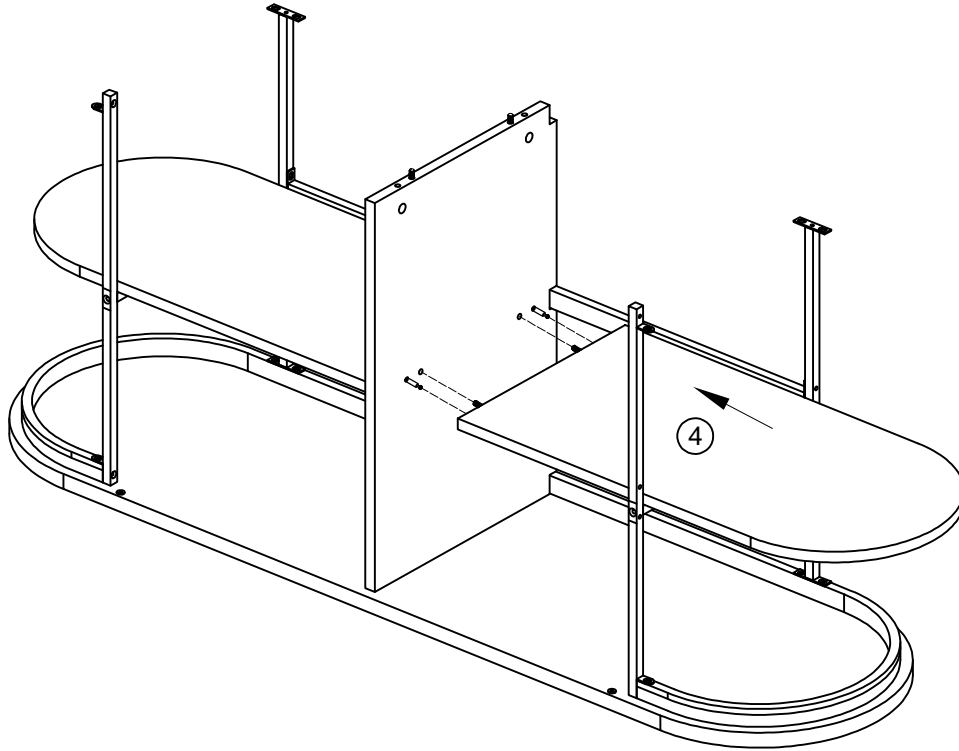
# 11



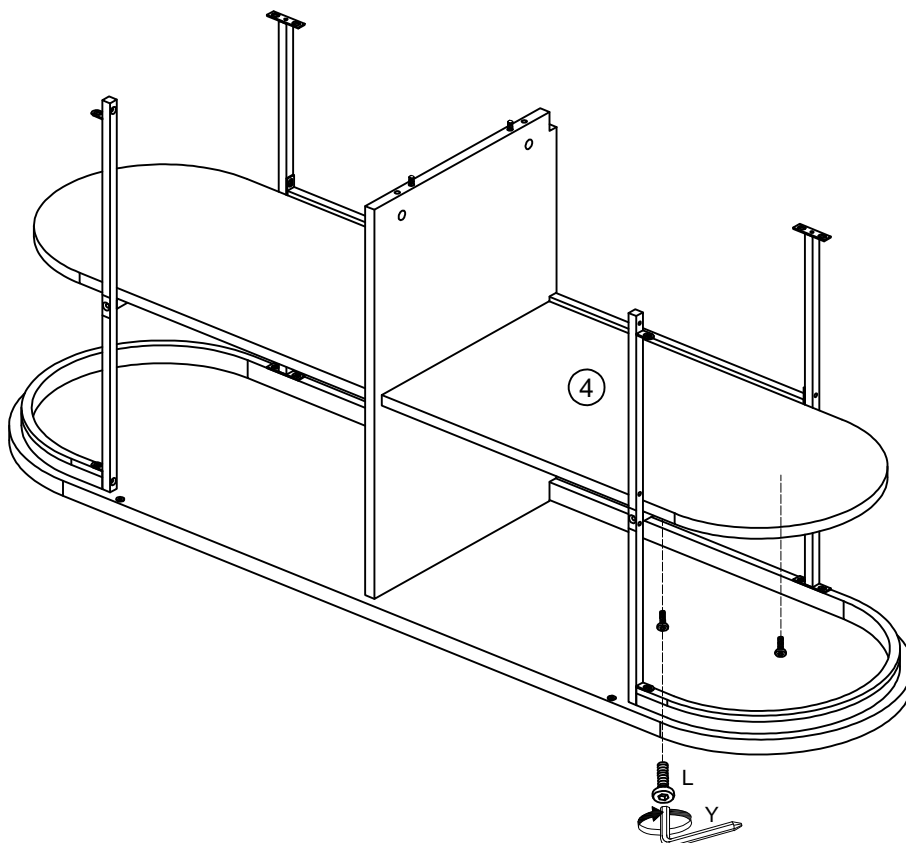
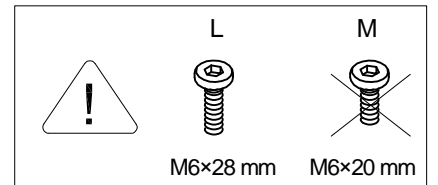
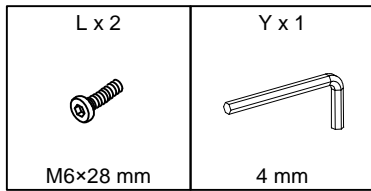
# 12



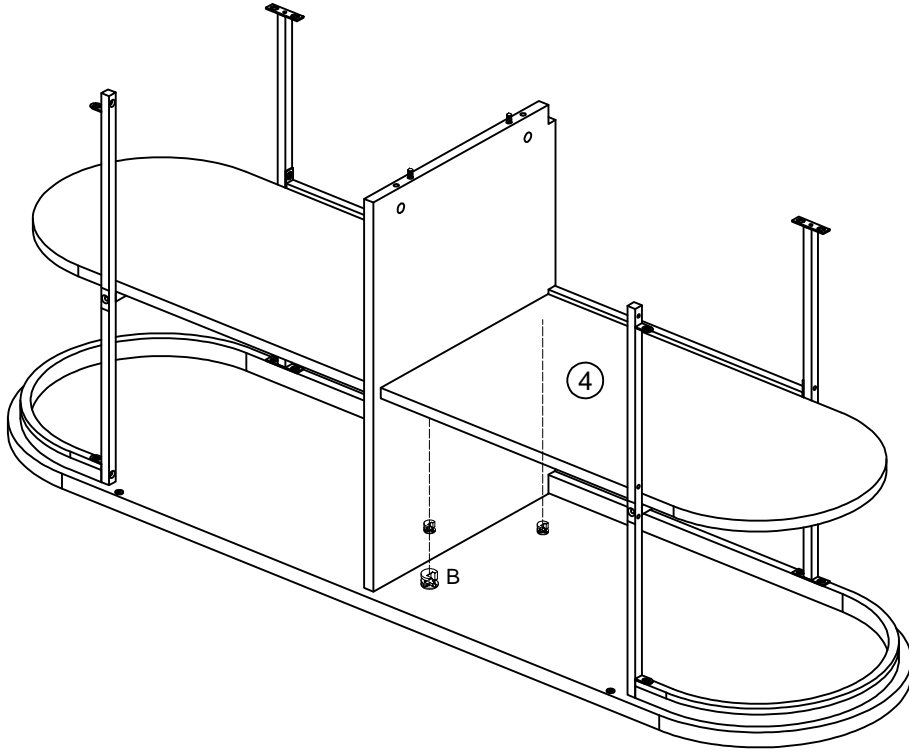
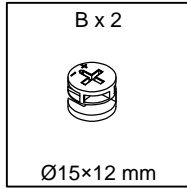
# 13



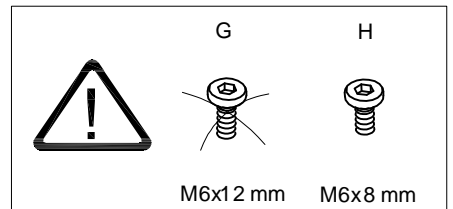
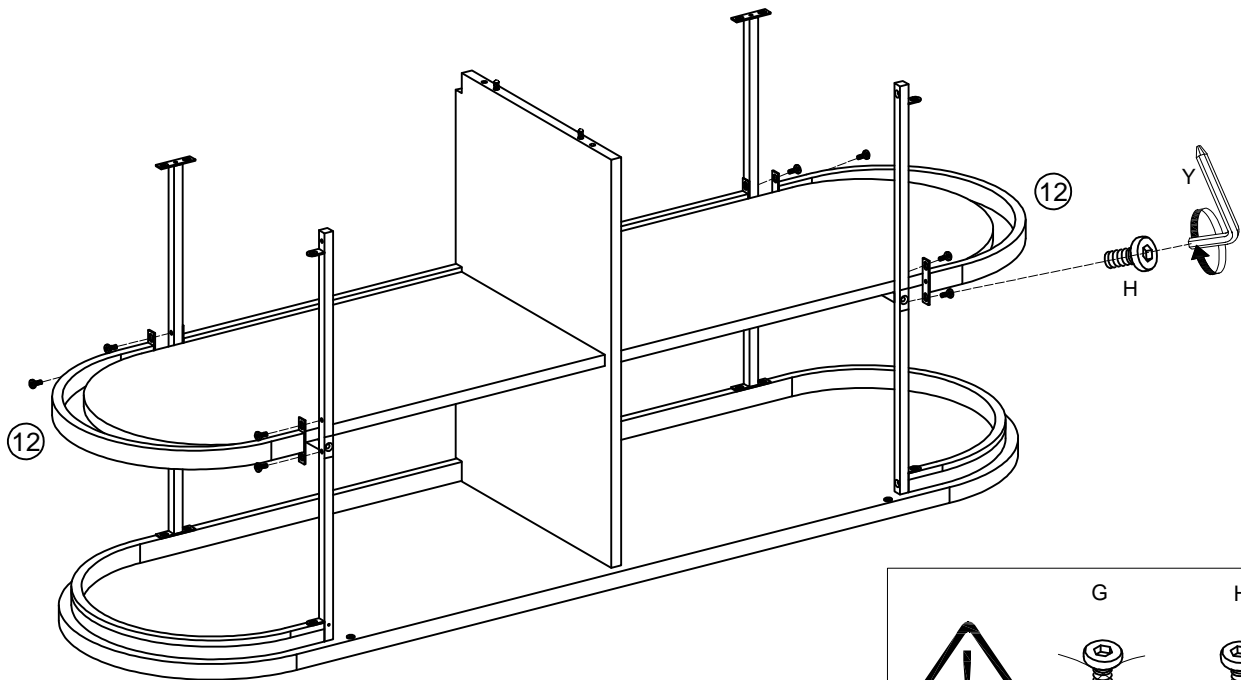
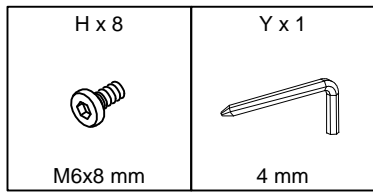
# 14





# 15

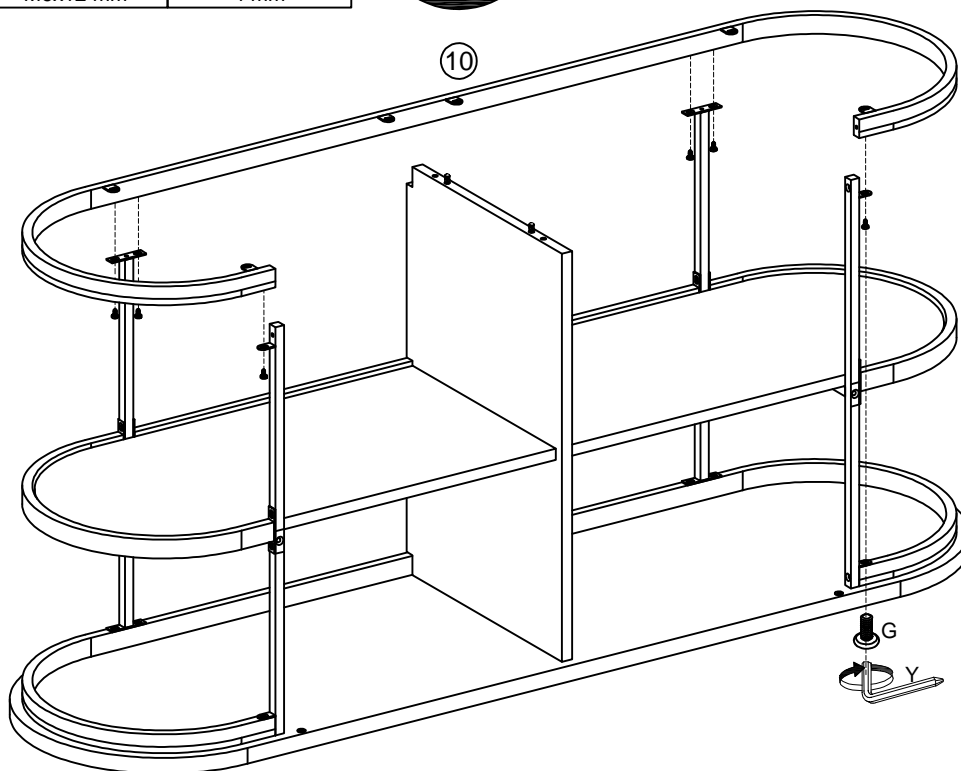
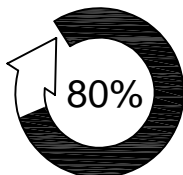


# 16





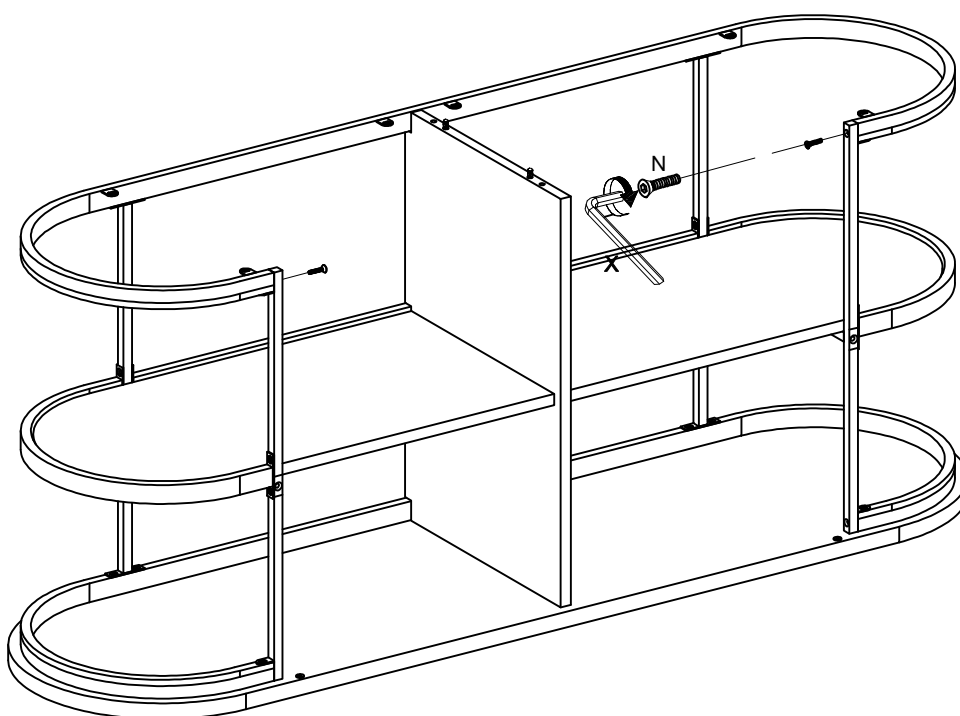
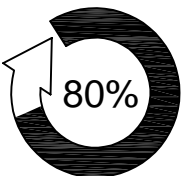
# 17

G x 6	Y x 1
	
M6x12 mm	4 mm

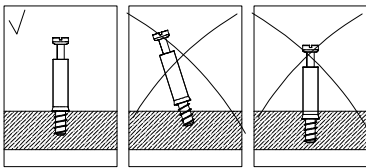
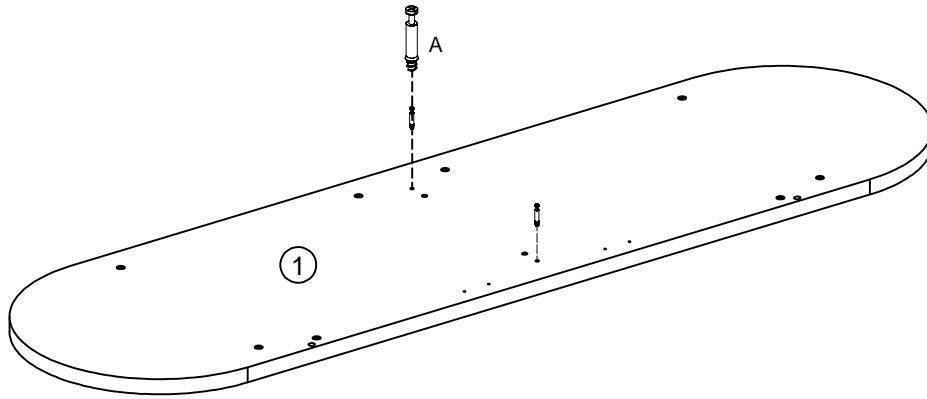
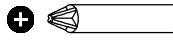
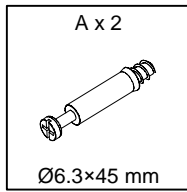


# 18

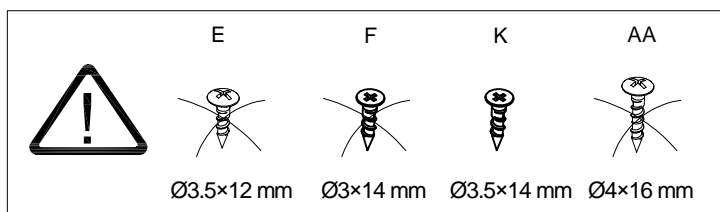
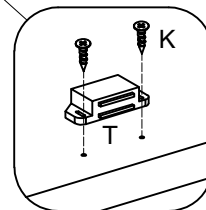
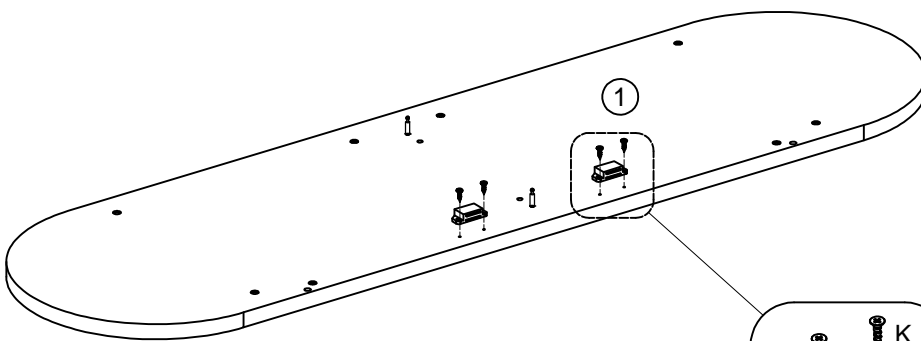
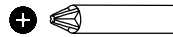
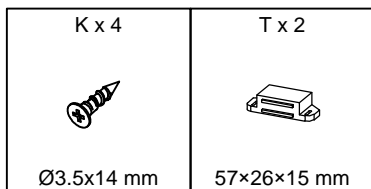
N x 2	X x 1
	
M5x20 mm	3 mm



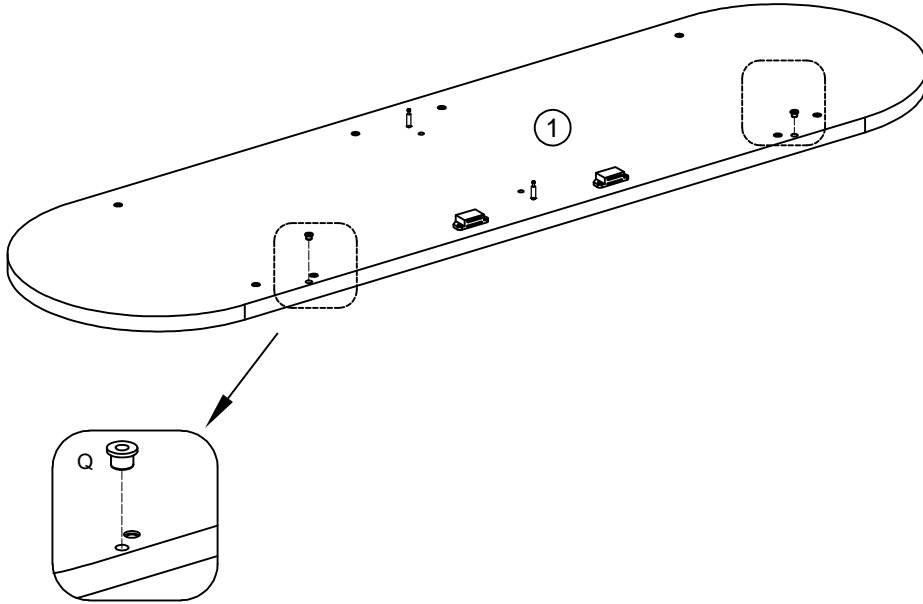
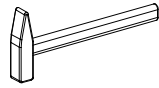
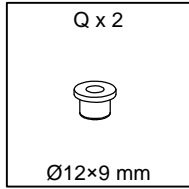
# 19



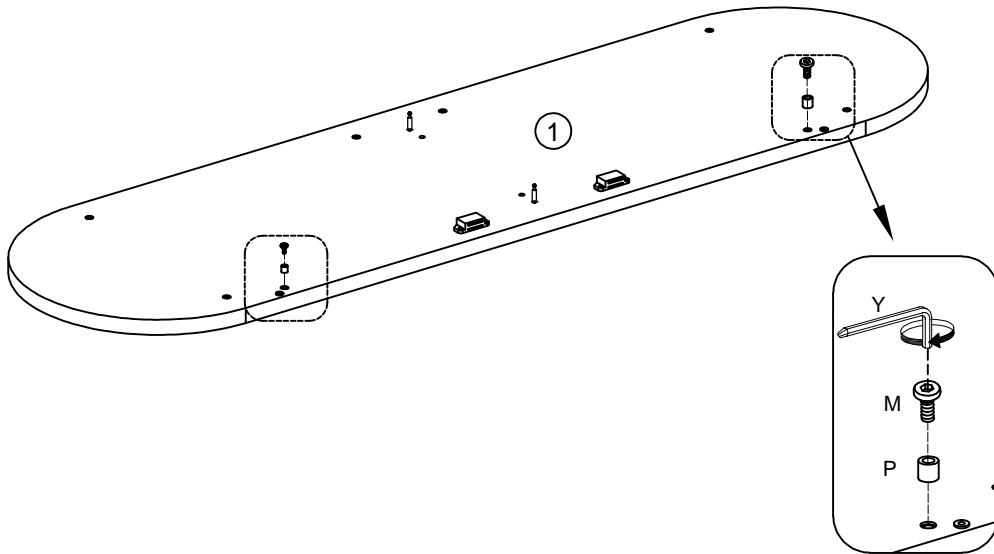
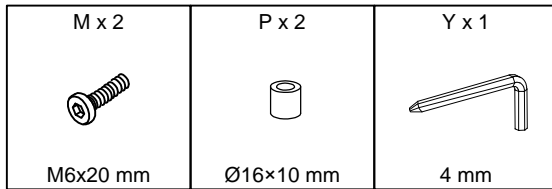
# 20



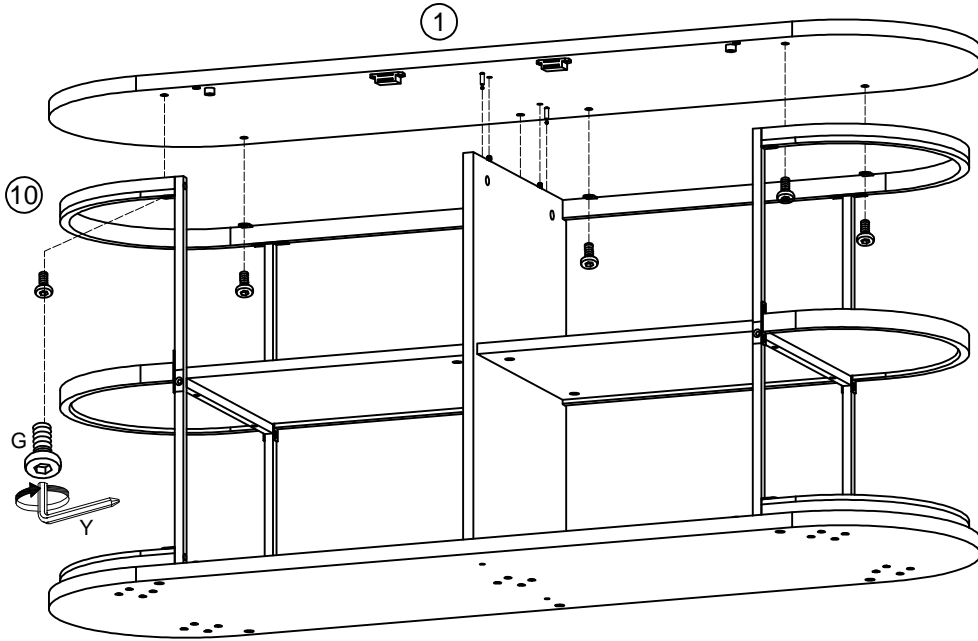
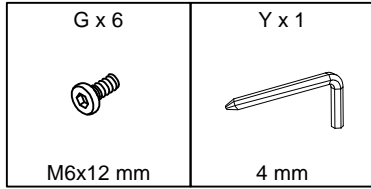
# 21



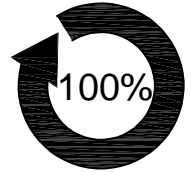
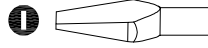
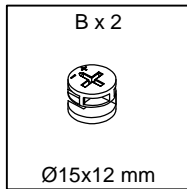
# 22



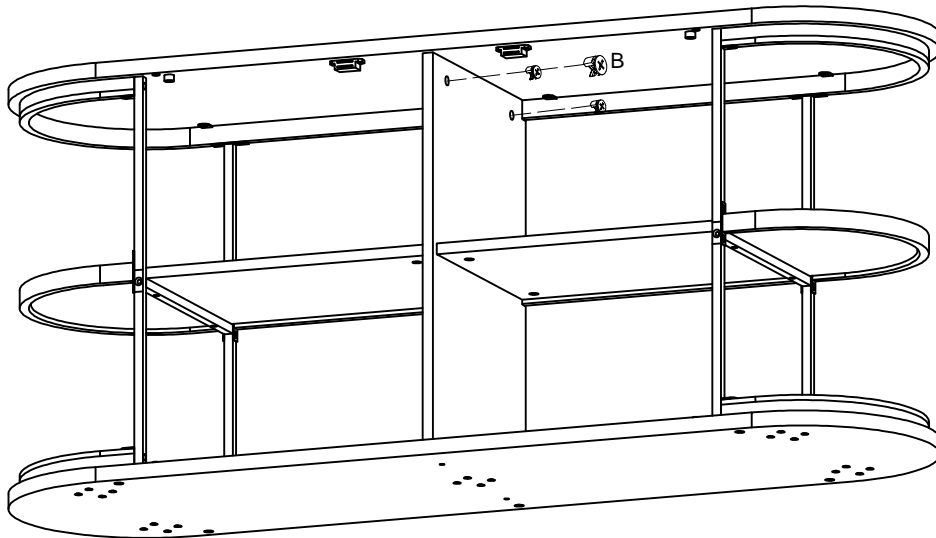
# 23



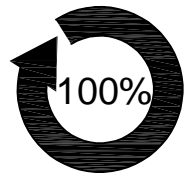
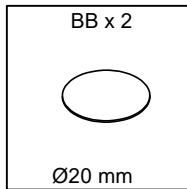
# 24



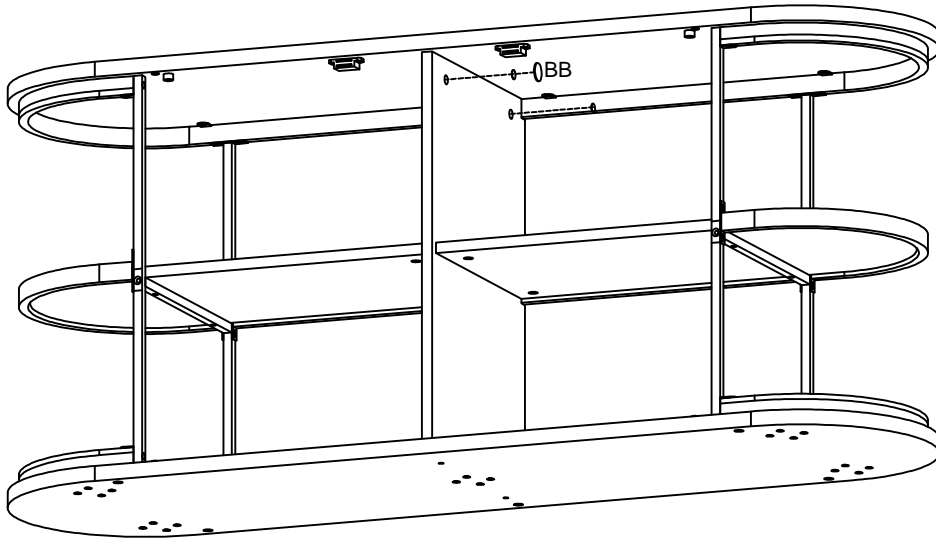
N x 4



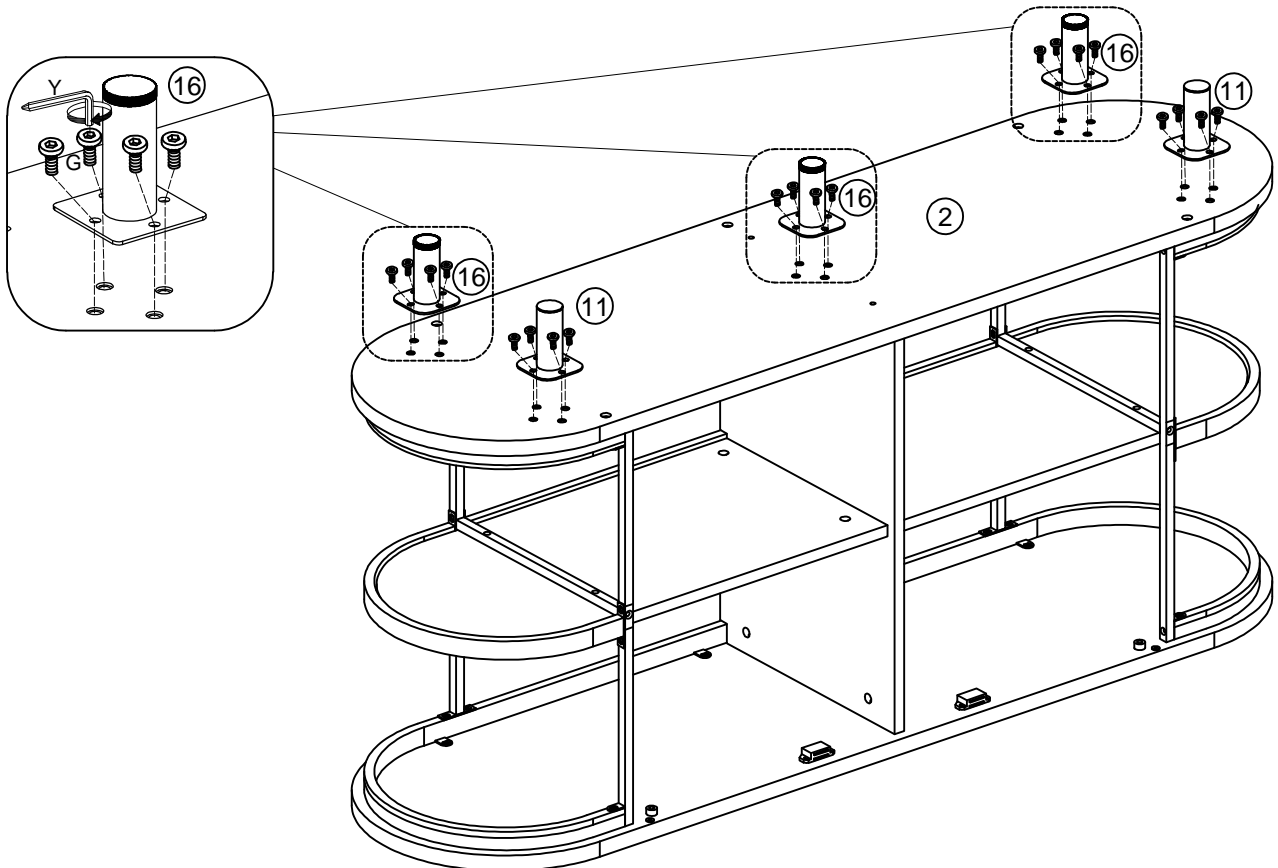
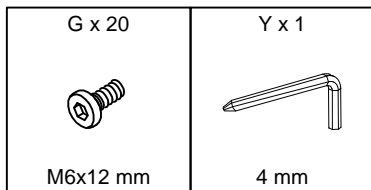
# 25



G × 12  
H × 4  
J × 4




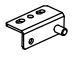



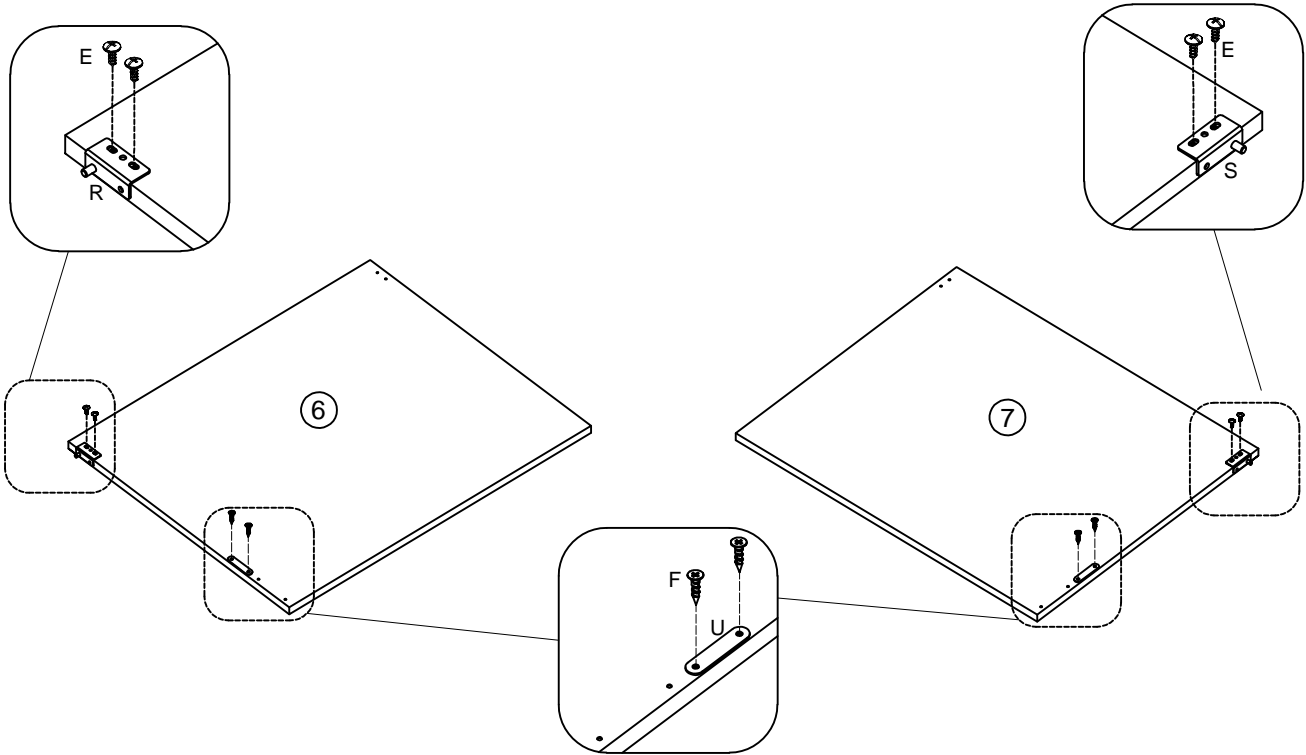
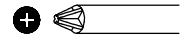
# 26



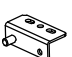



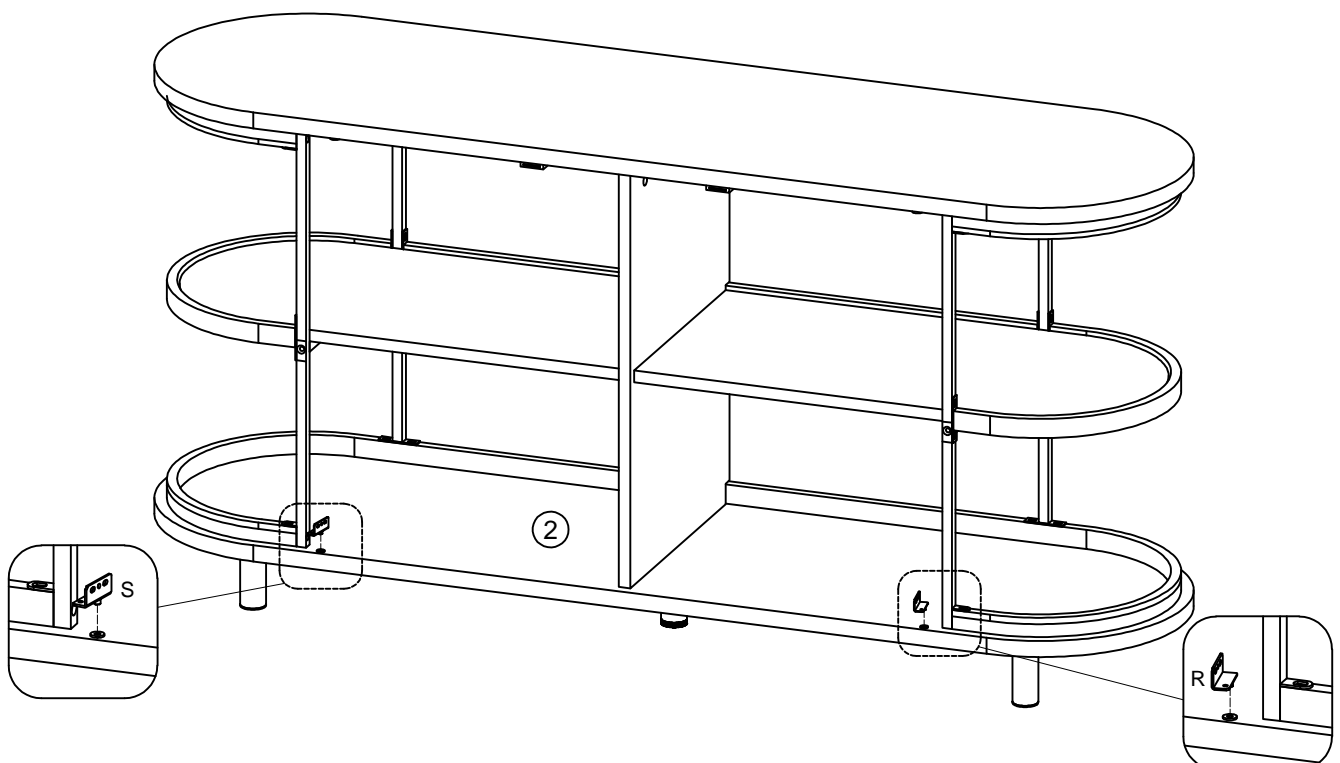
# 27

E x 4  Ø3.5x12 mm	F x 4  Ø3x14mm	R x 1  40x27x15 mm	S x 1  40x27x15 mm	U x 2  52x12x1.5 mm
--	---	---	---	--

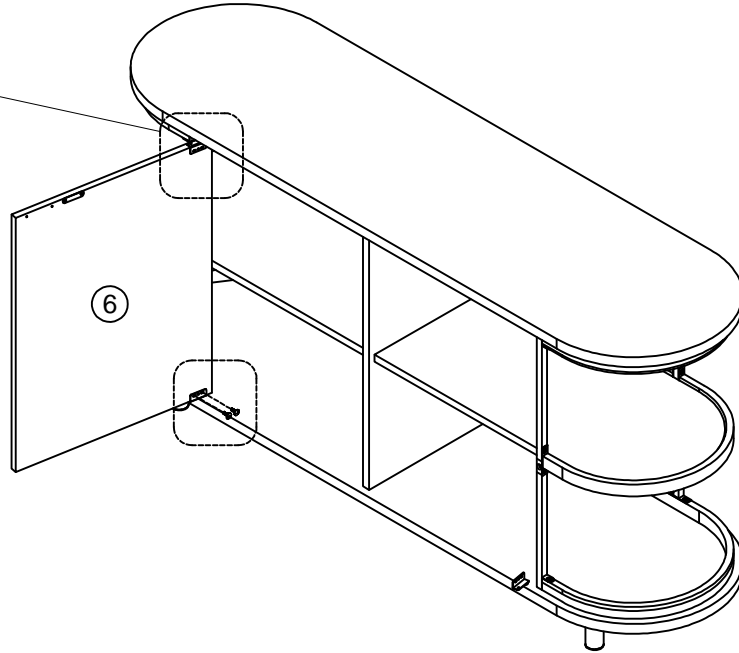
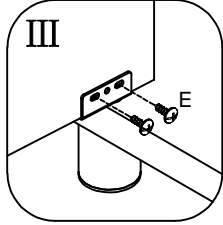
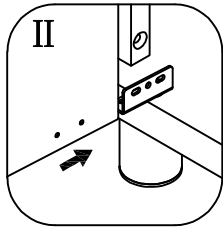
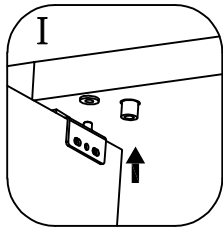
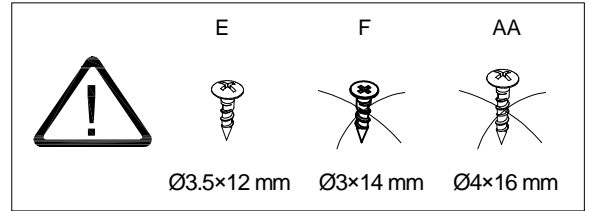
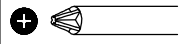
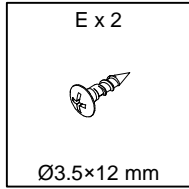


# 28

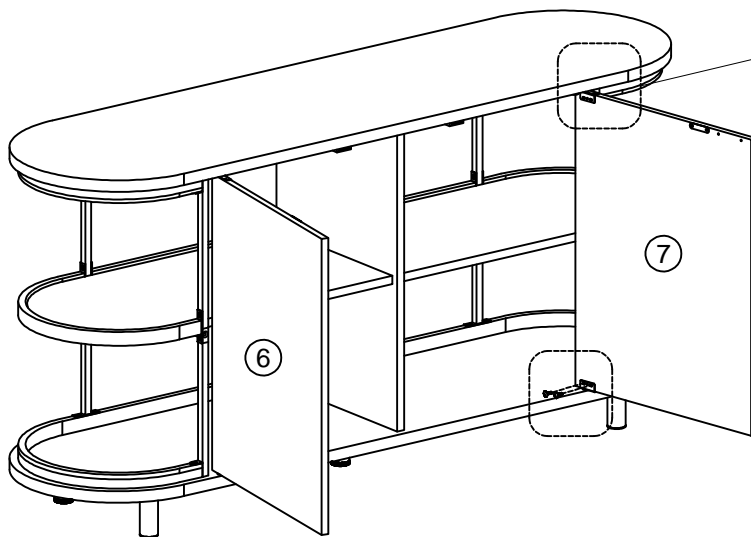
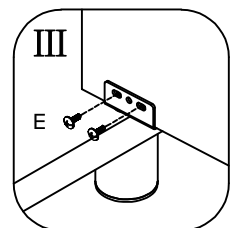
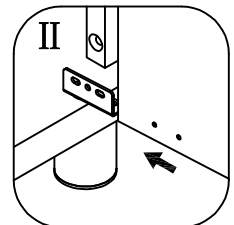
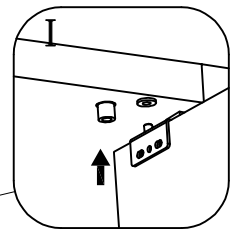
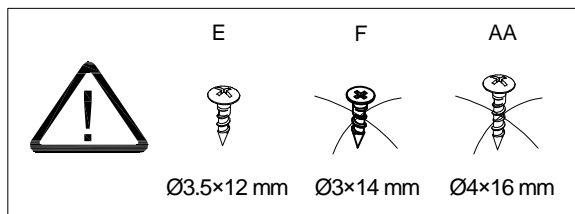
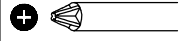
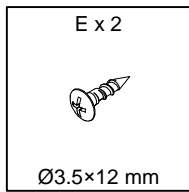
R x 1  40x27x15 mm	S x 1  40x27x15 mm
---	---




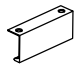
# 29

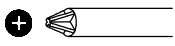





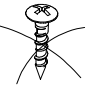
# 30

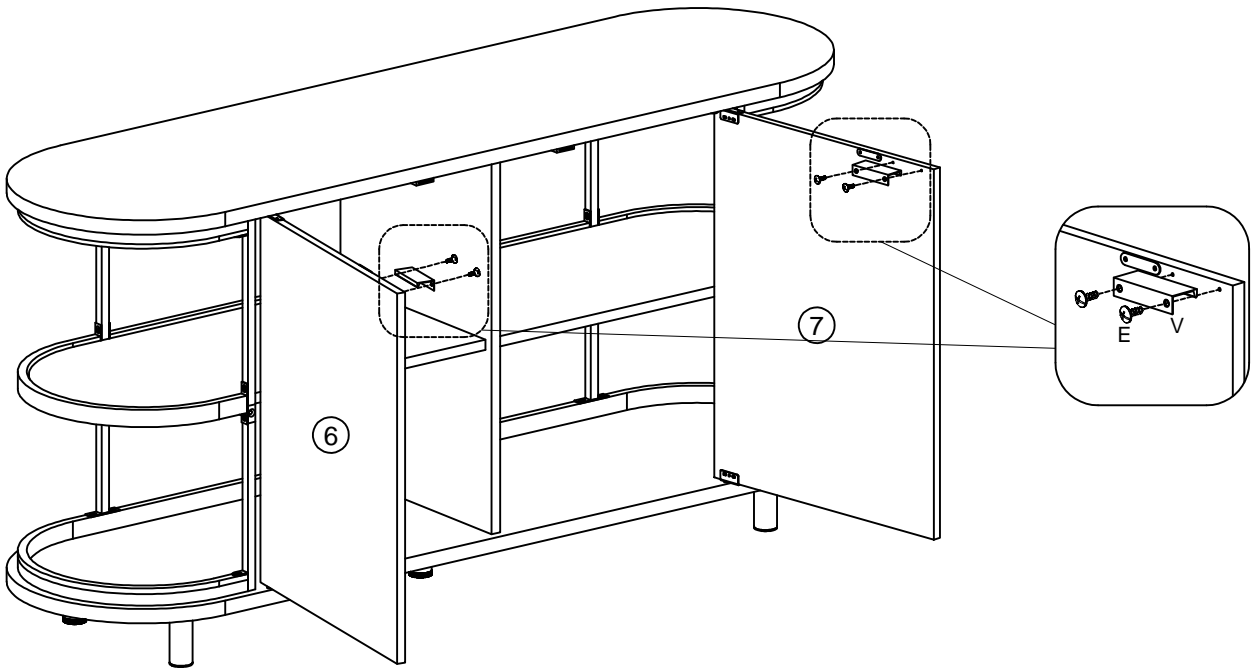


# 31

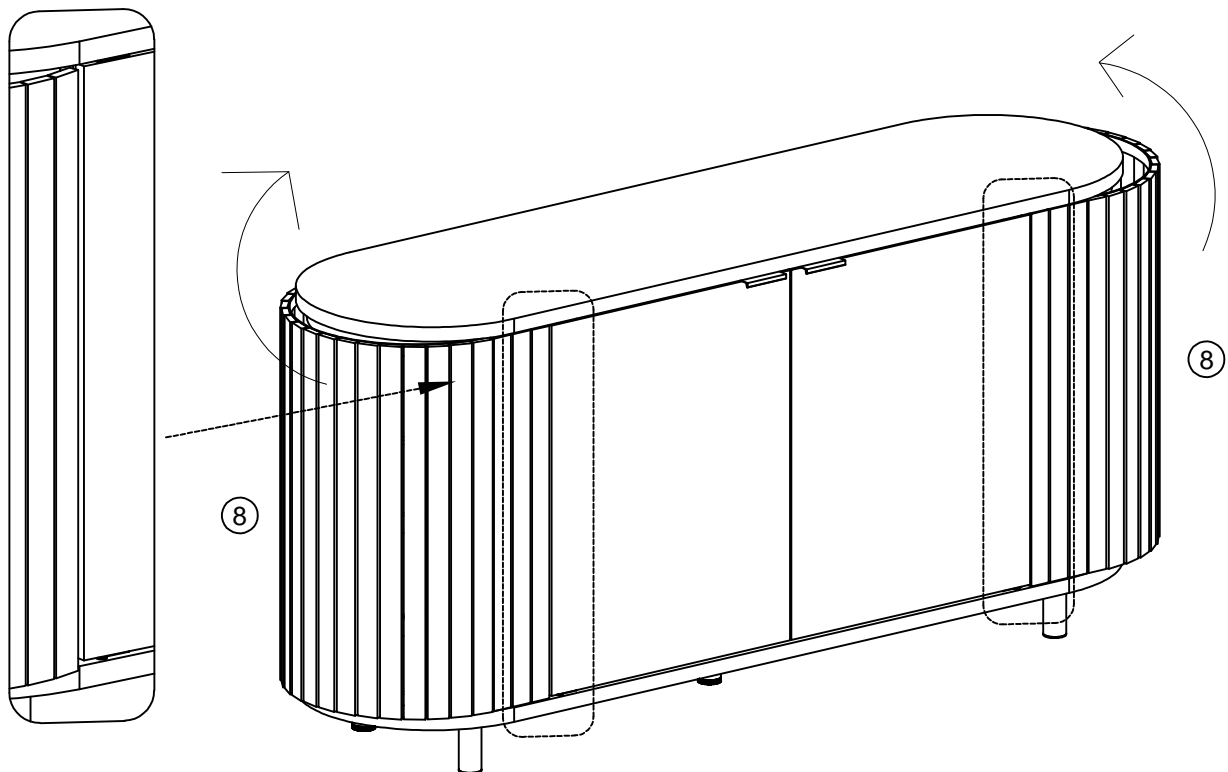
E x 4  Ø3.5x12 mm	V x 2  100x32x18 mm
--	--



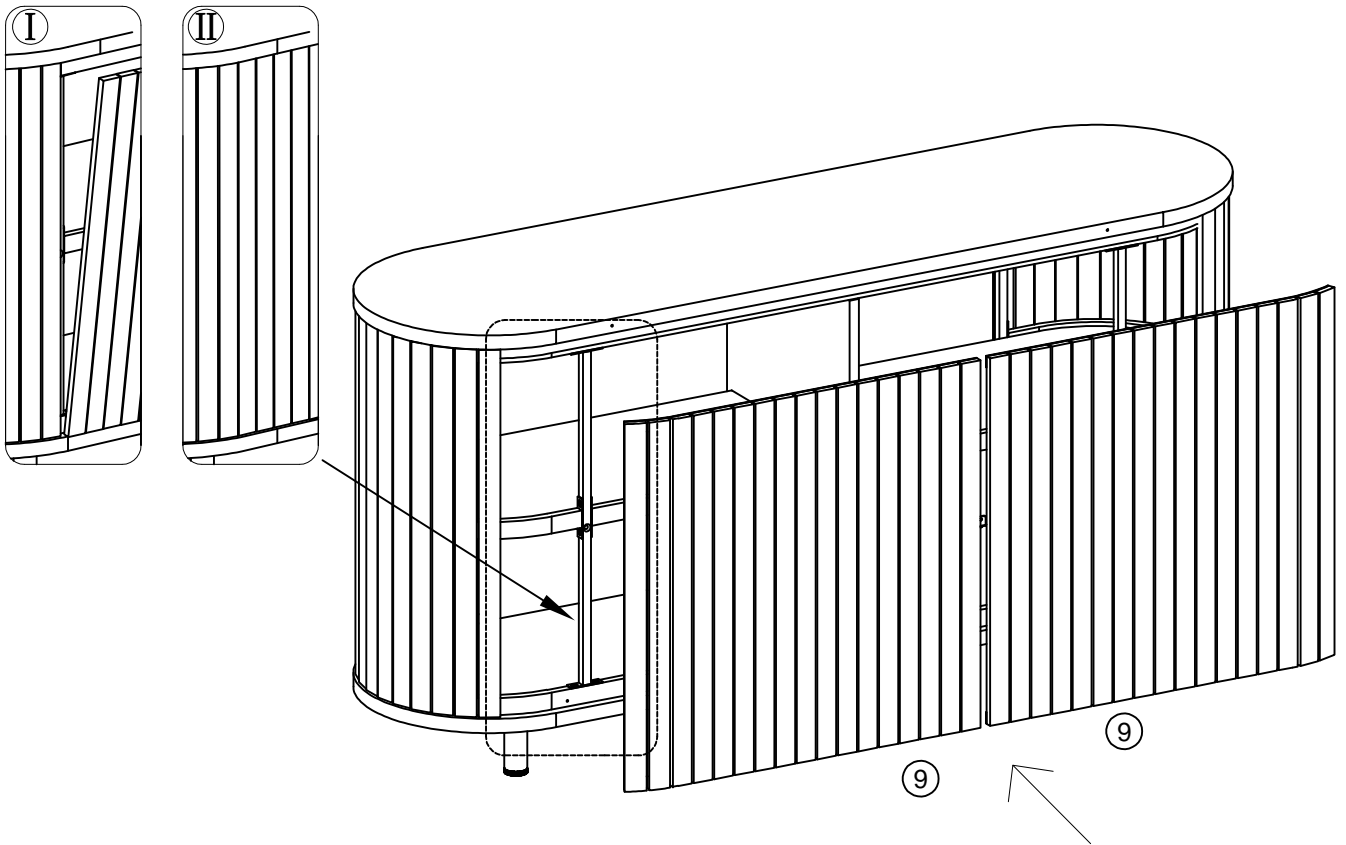
	E  Ø3.5x12 mm	F  Ø3x14 mm	AA  Ø4x16 mm
--	--	--	---






# 32

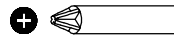





# 33

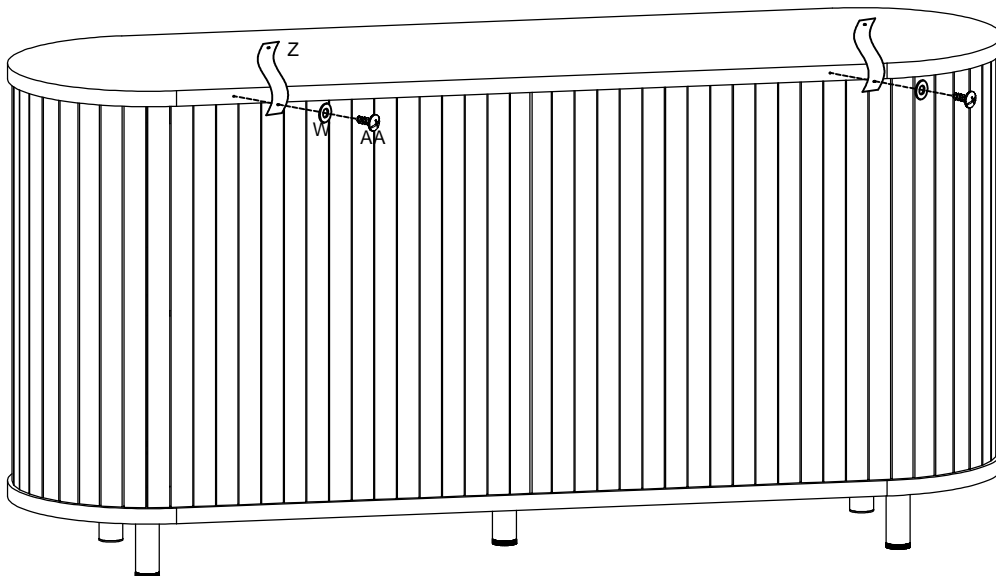


# 34

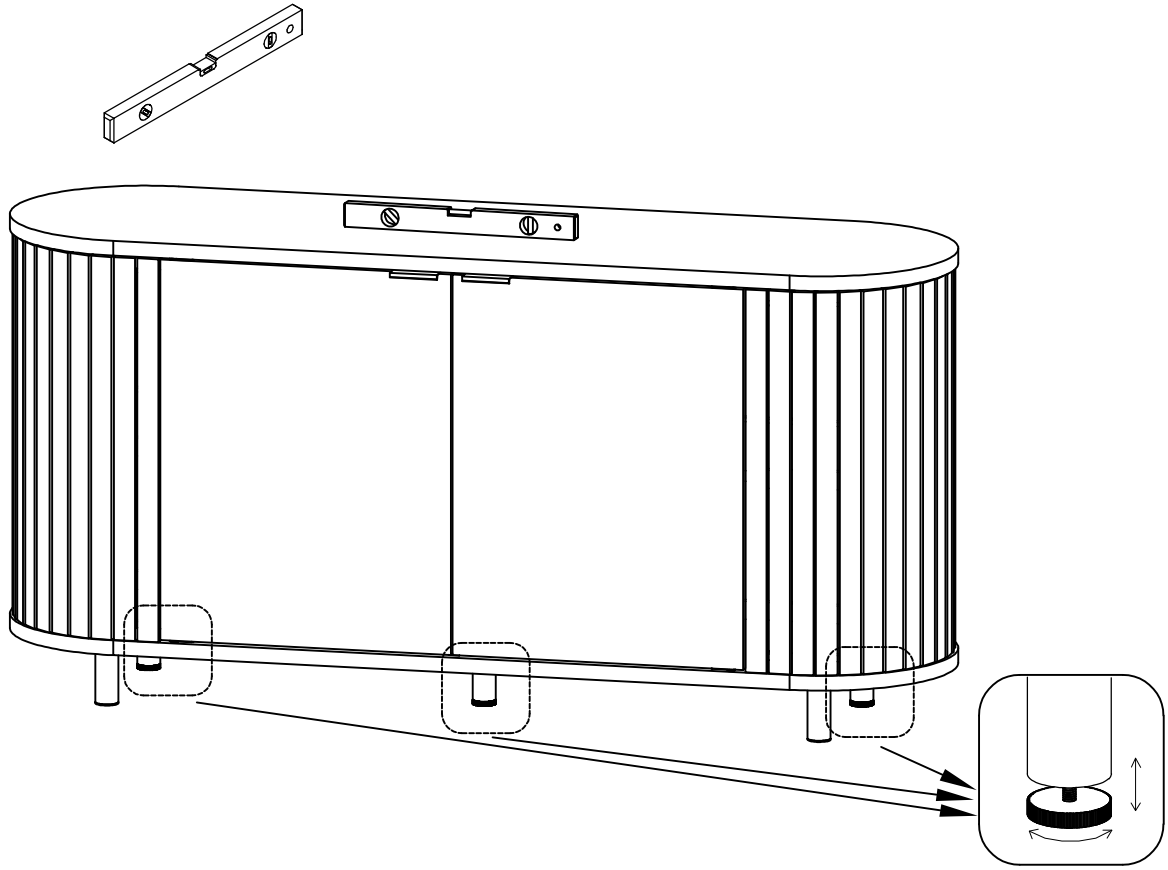
AA x 2	W x 2	Z x 2
		
Ø4x16 mm	Ø5/Ø18mm	150 mm



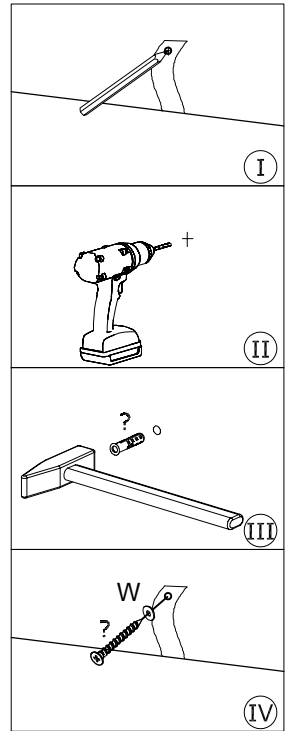
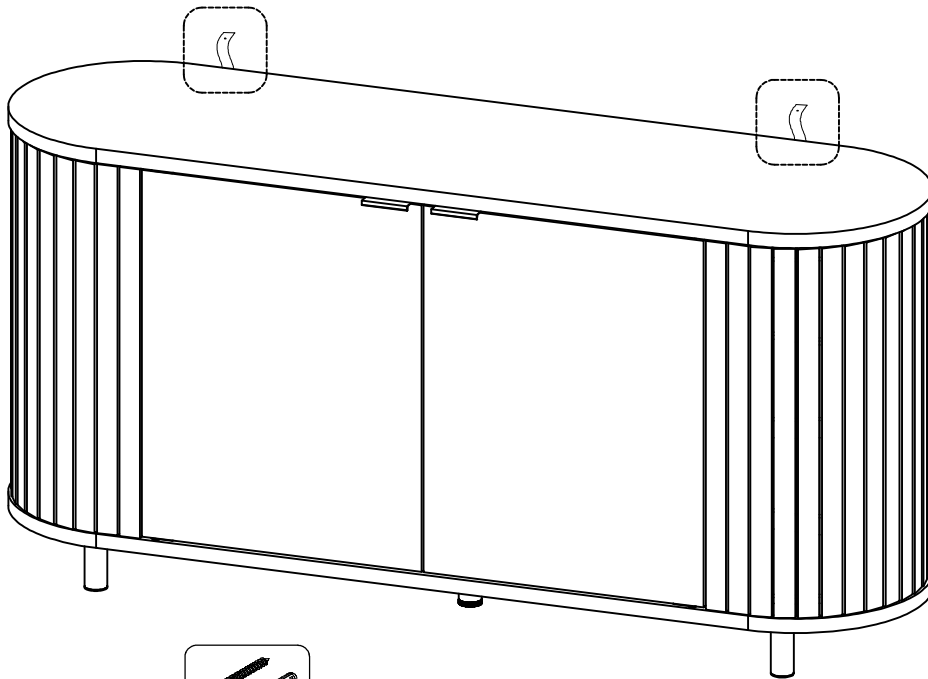
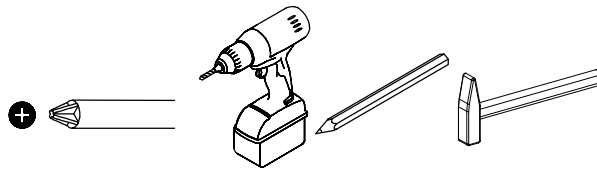
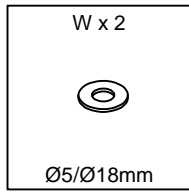
	F	AA
		
	Ø3x14 mm	Ø4x16 mm



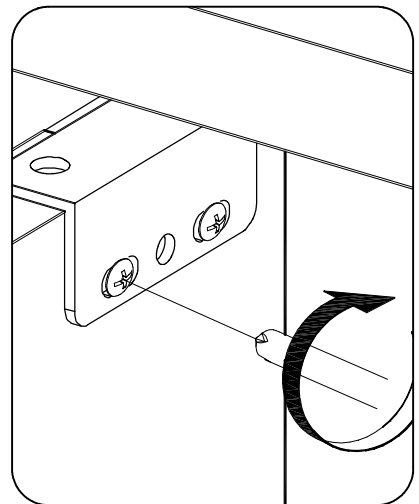
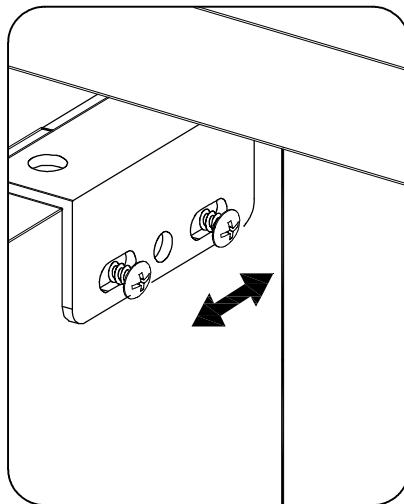
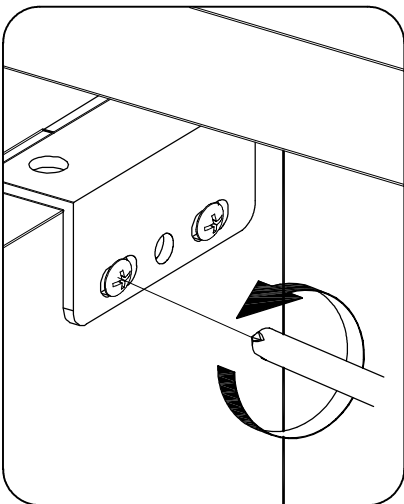
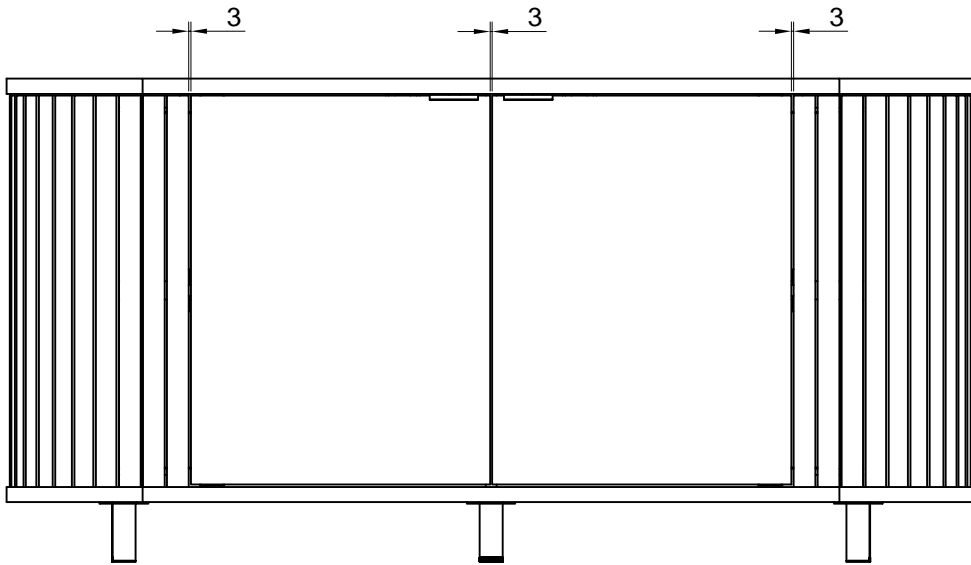
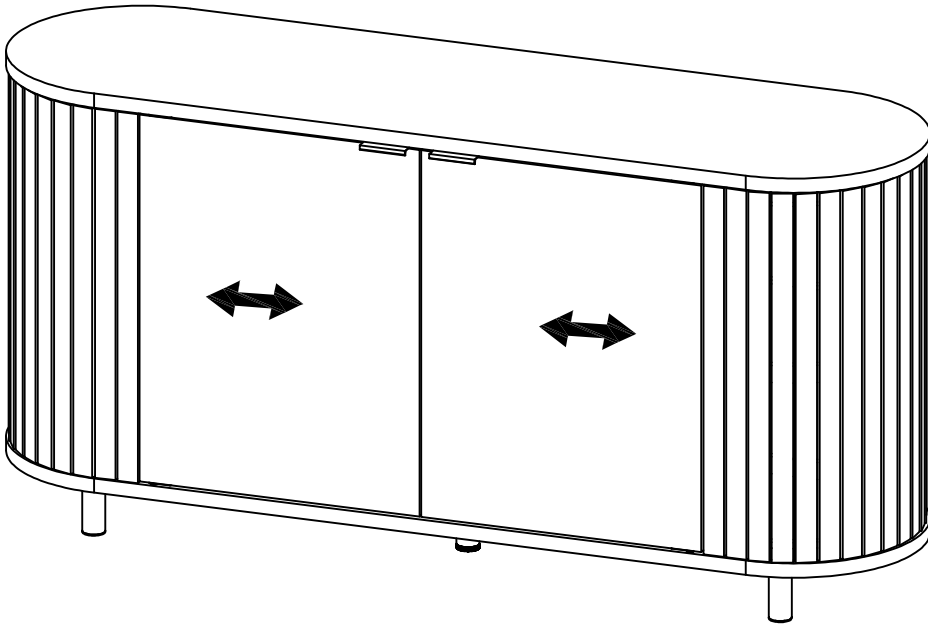
# 35



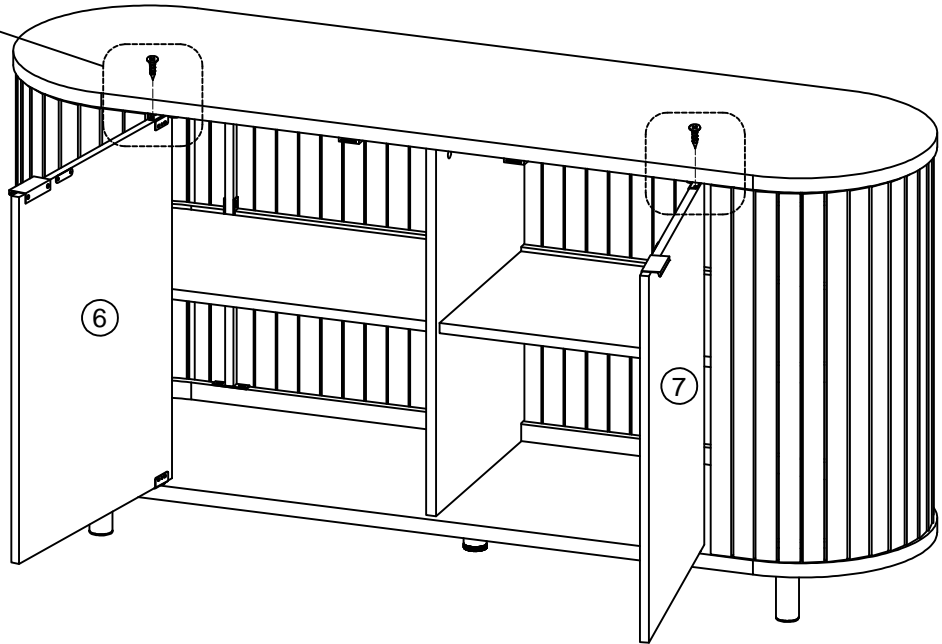
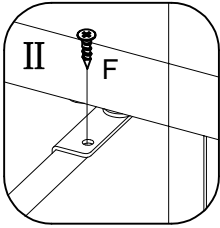
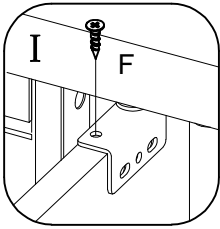
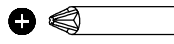
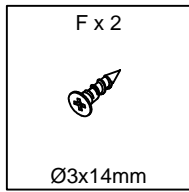
# 36



37



# 38



# 39

