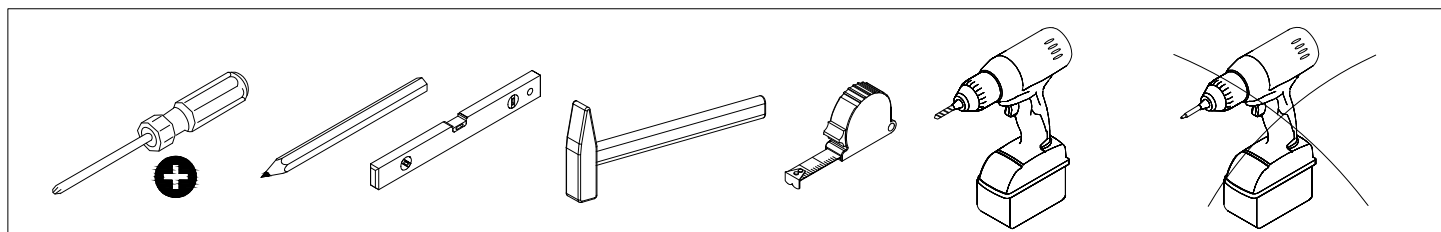
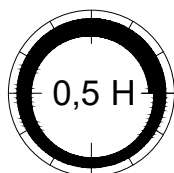
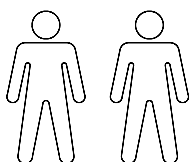
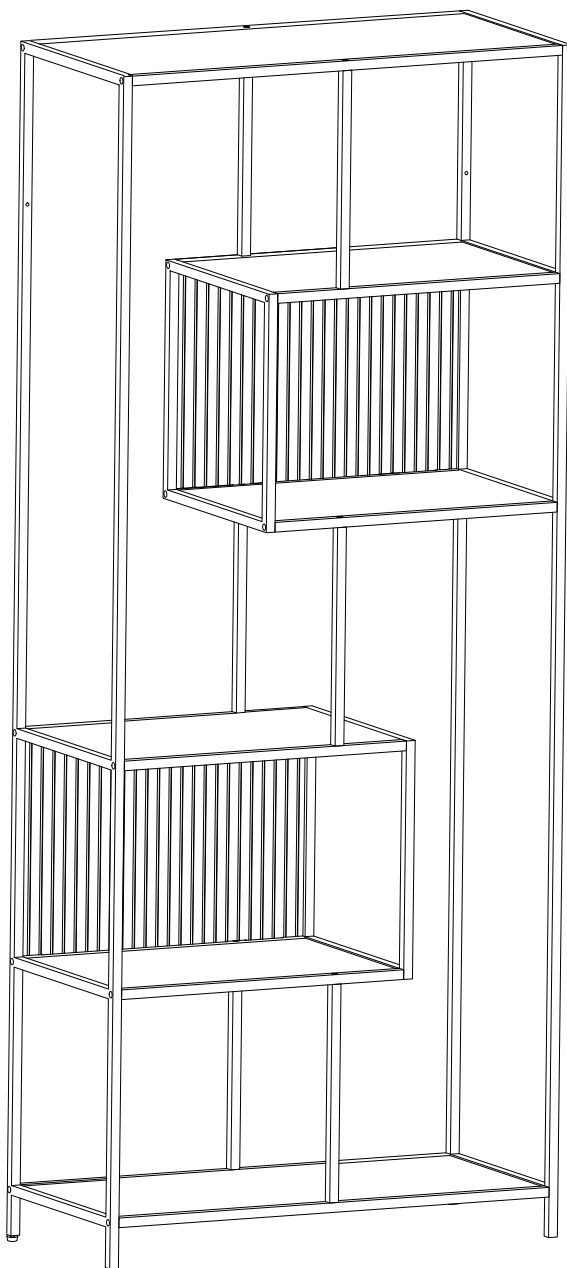
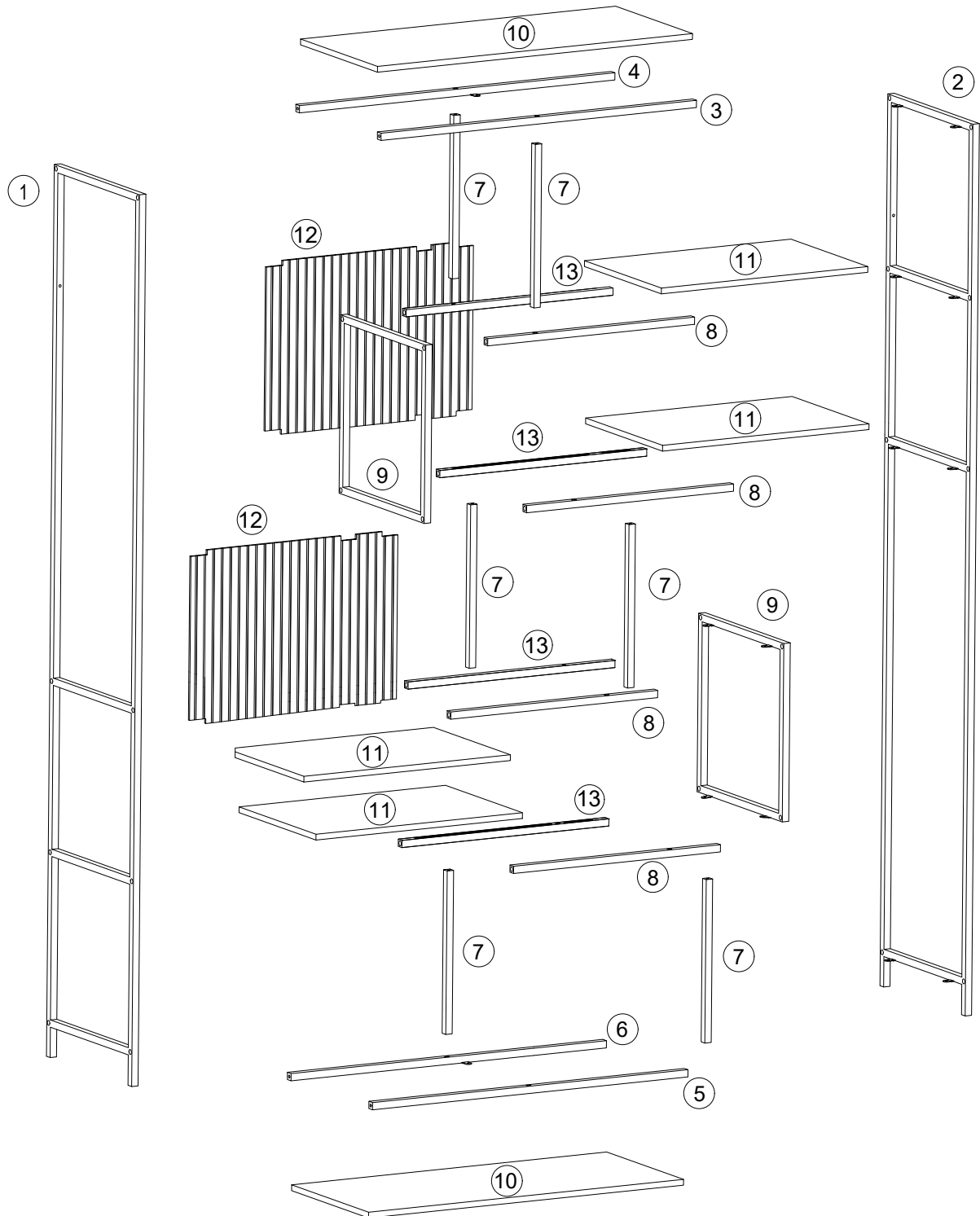


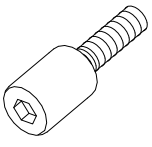
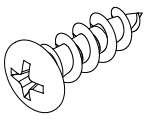
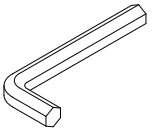
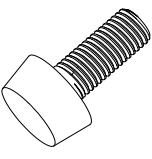
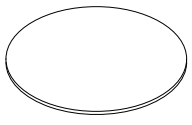
SEAFORD



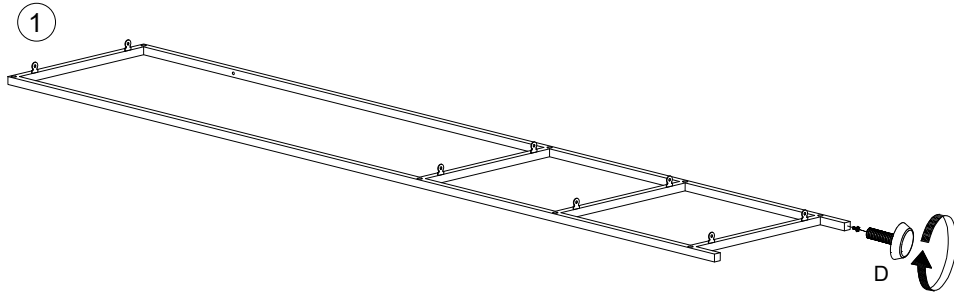
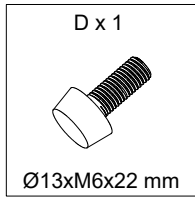
			✓
①	1	1850x350x35	
②	1	1850x350x35	
③	1	738x35x15	
④	1	738x35x15	
⑤	1	738x35x15	
⑥	1	738x35x15	
⑦	6	339x15x15	

			✓
⑧	4	484x15x15	
⑨	2	369x350x35	
⑩	2	737x318x12	
⑪	4	483x318x12	
⑫	2	484x349x4.75	
⑬	4	484x15x15	

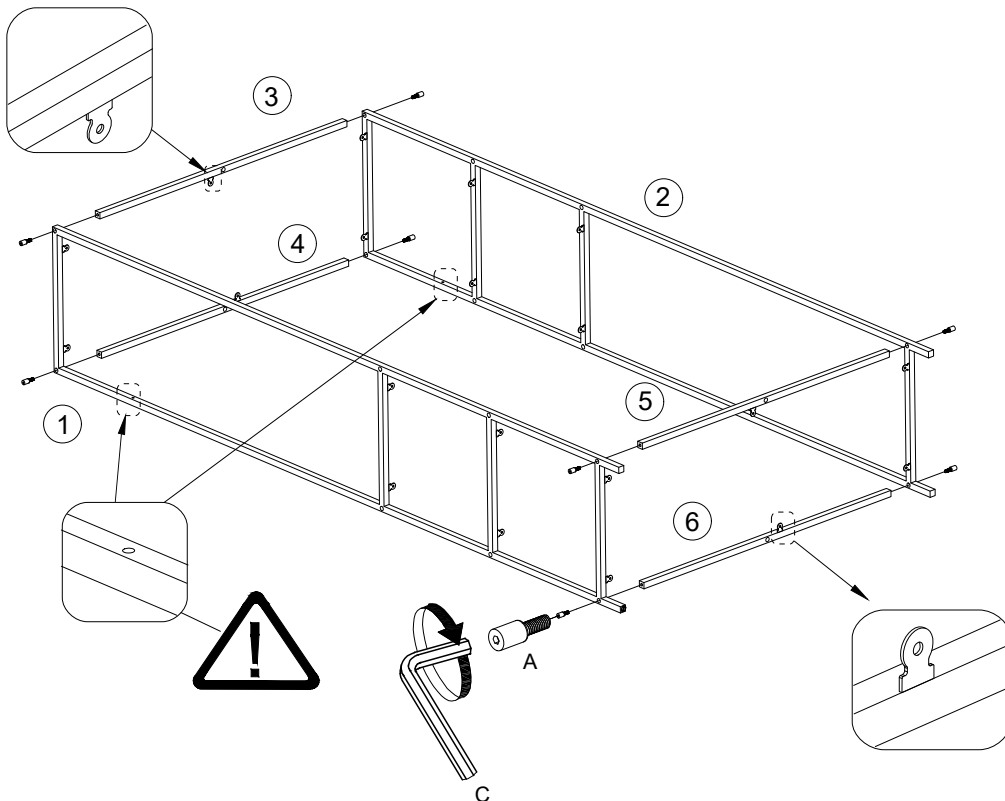
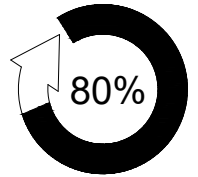
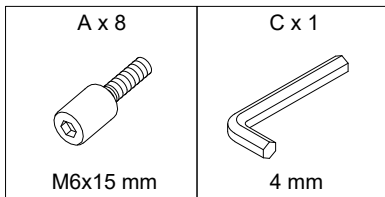


<p>A x 36</p>  <p>M6x15 mm</p>	<p>B x 28</p>  <p>Ø4x12 mm</p>	<p>C x 1</p>  <p>4 mm</p>	<p>D x 1</p>  <p>Ø13xM6x22 mm</p>	<p>E x 28</p>  <p>Ø15 mm</p>
-----------------------------------------------------------------------------------------------------------------	-----------------------------------------------------------------------------------------------------------------	------------------------------------------------------------------------------------------------------------	----------------------------------------------------------------------------------------------------------------------	-----------------------------------------------------------------------------------------------------------------

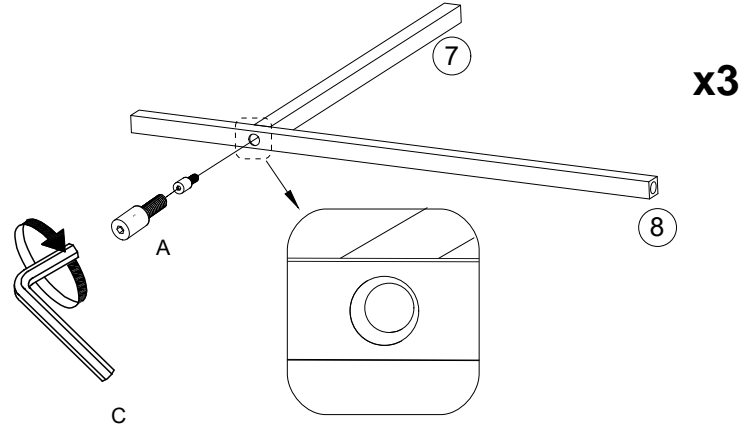
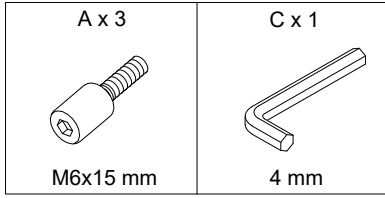
1



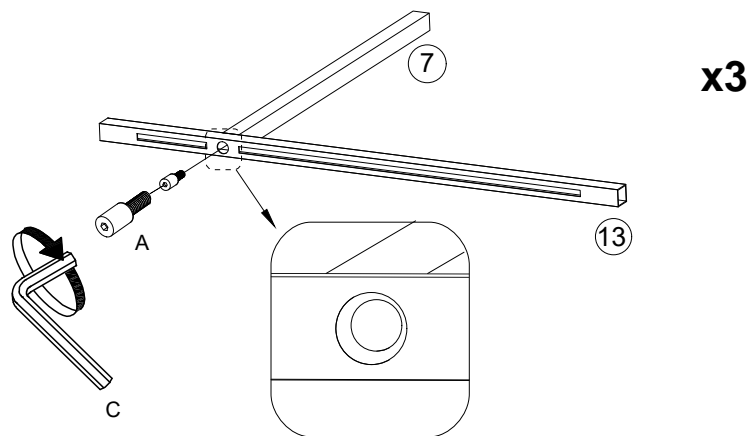
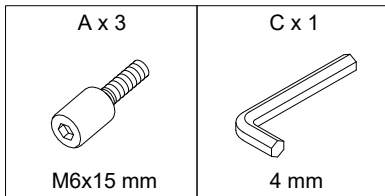
2



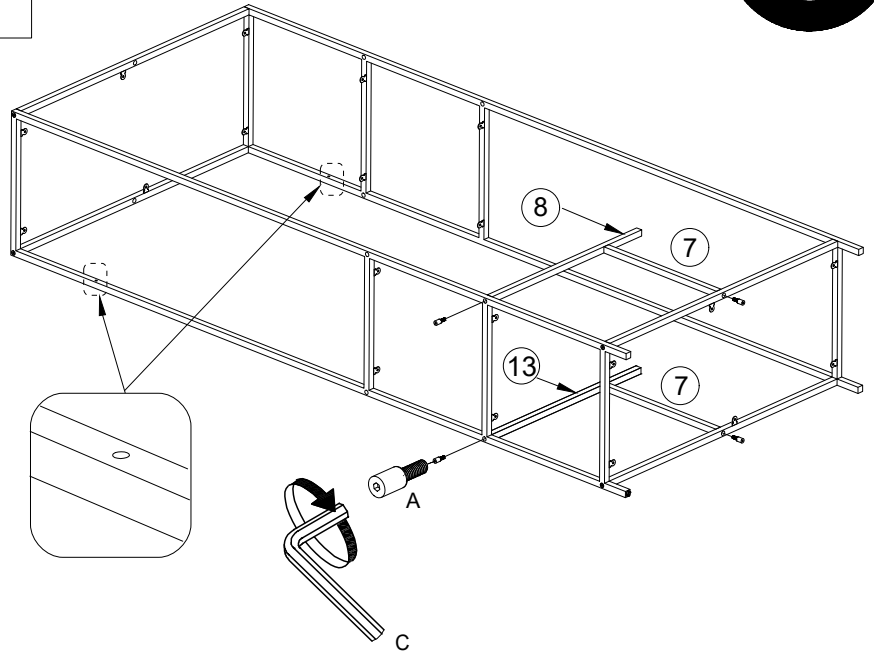
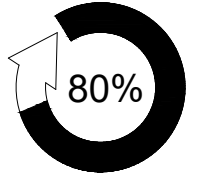
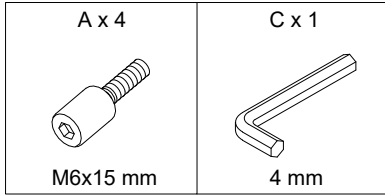
3



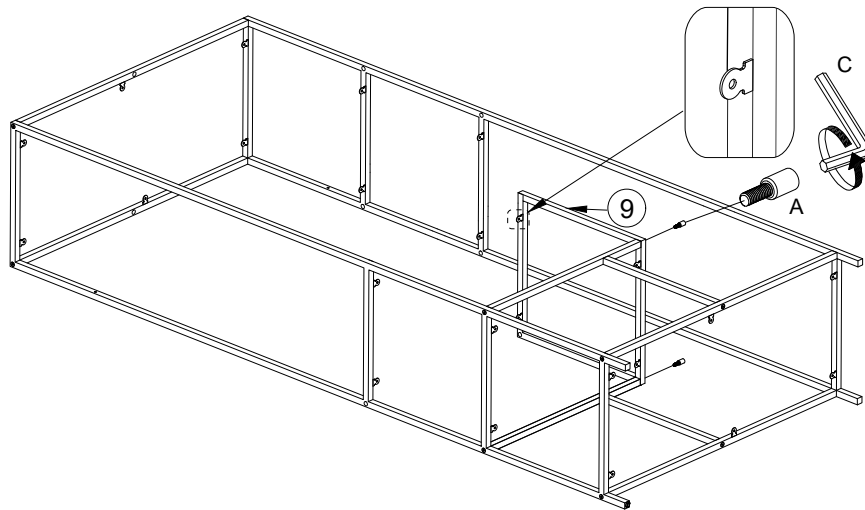
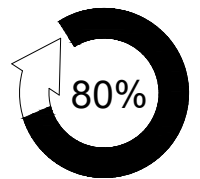
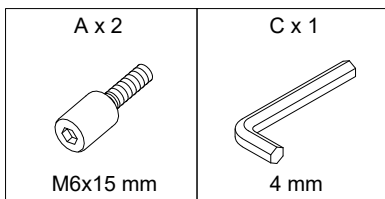
4



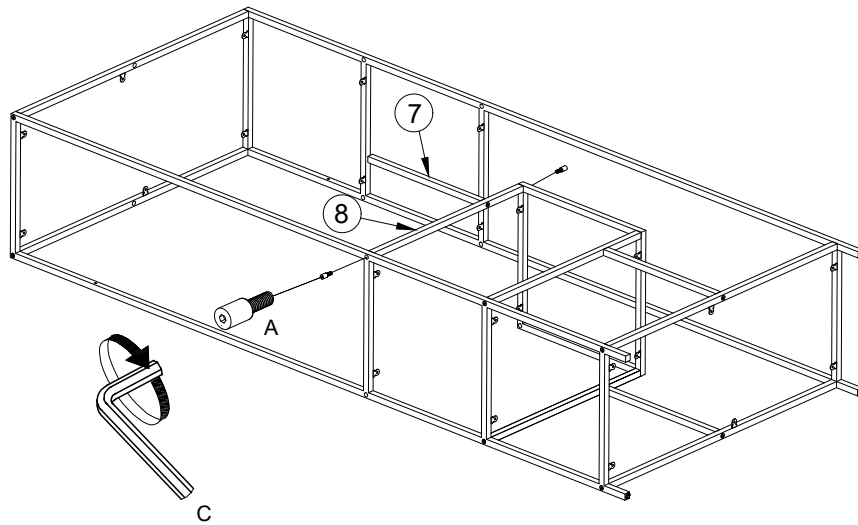
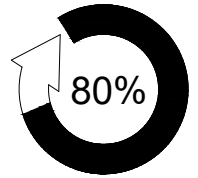
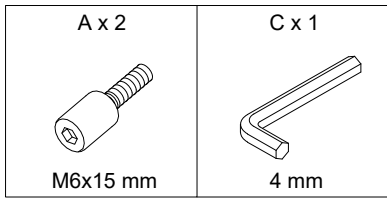
5



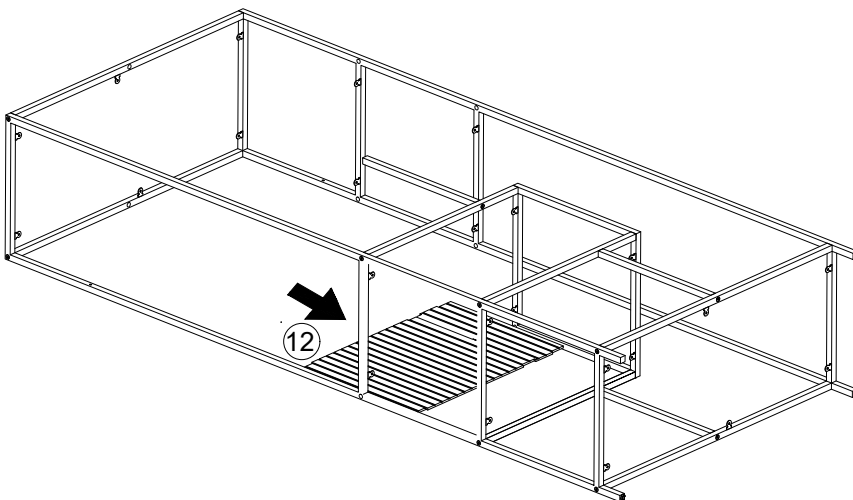
6



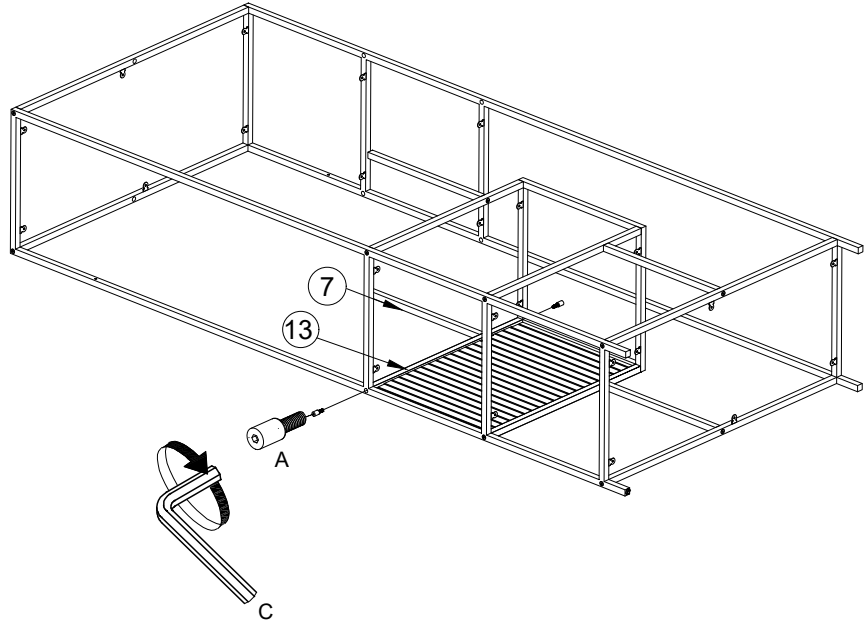
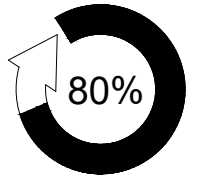
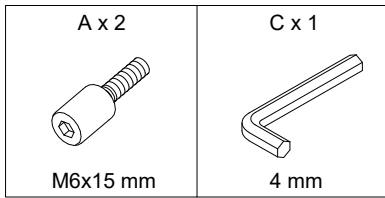
7



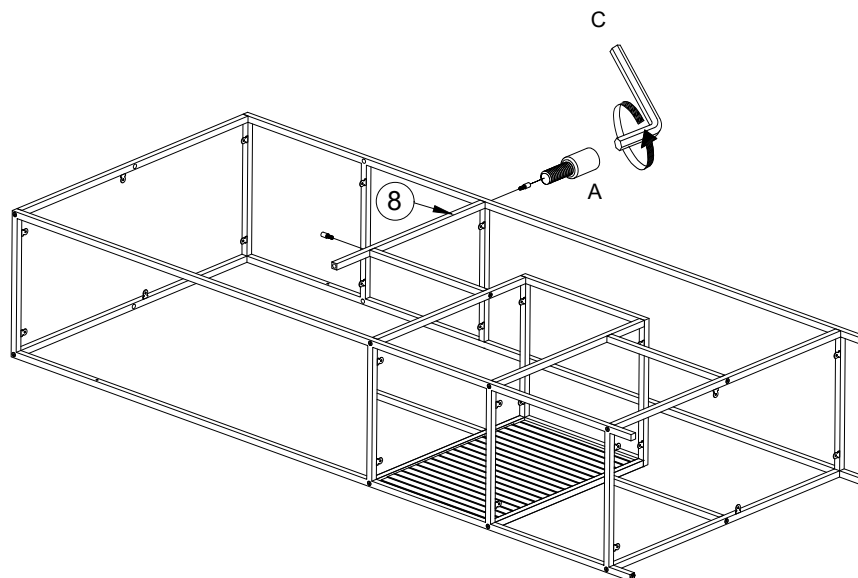
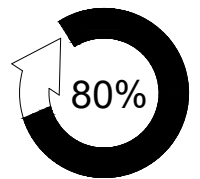
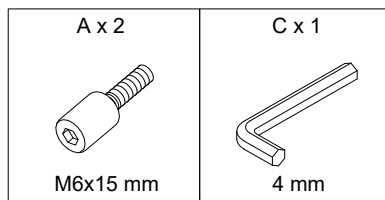
8



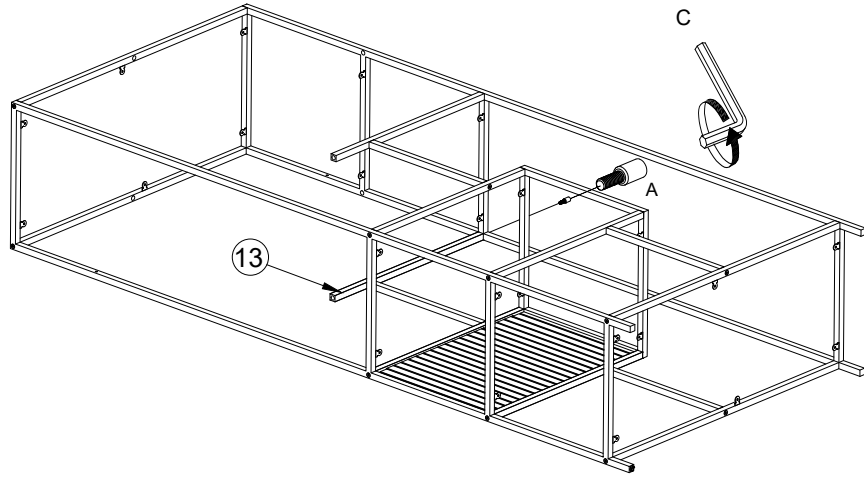
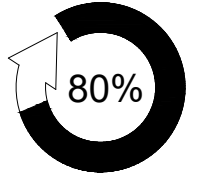
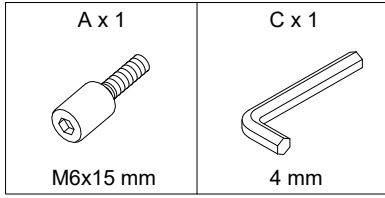
9



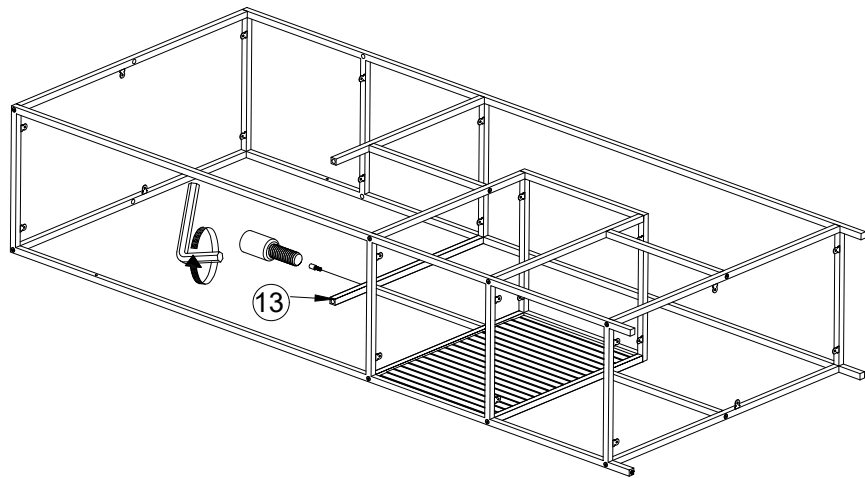
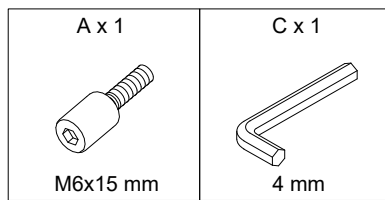
10



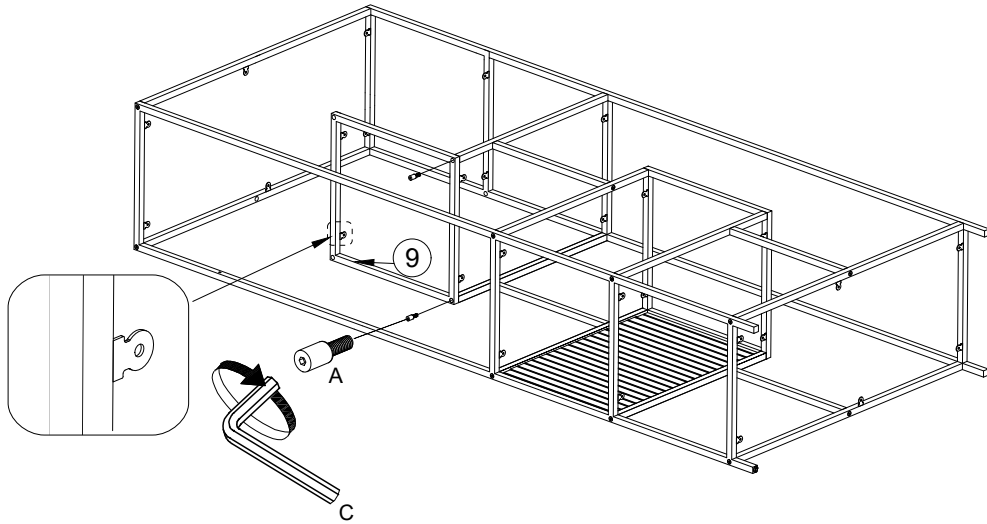
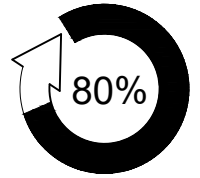
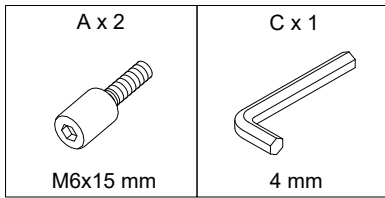
11



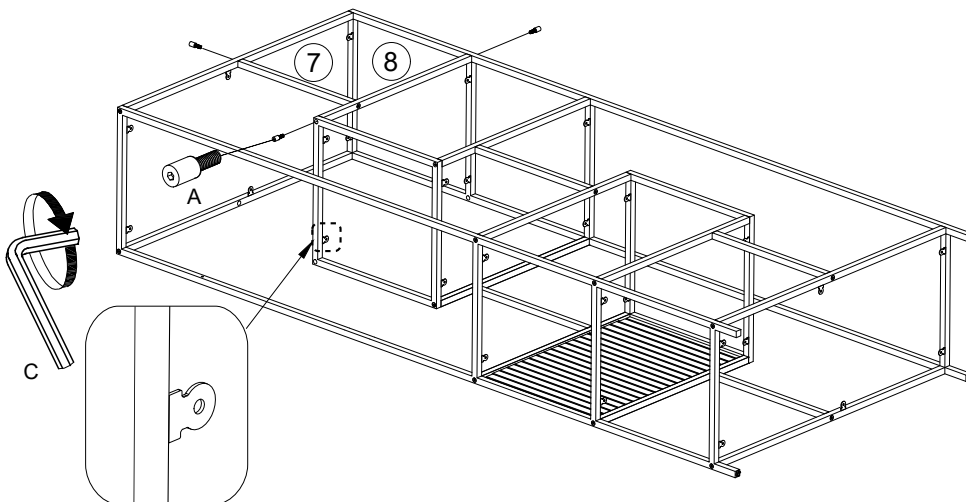
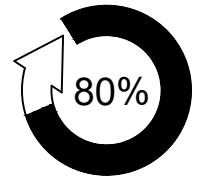
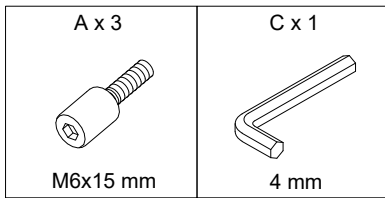
12



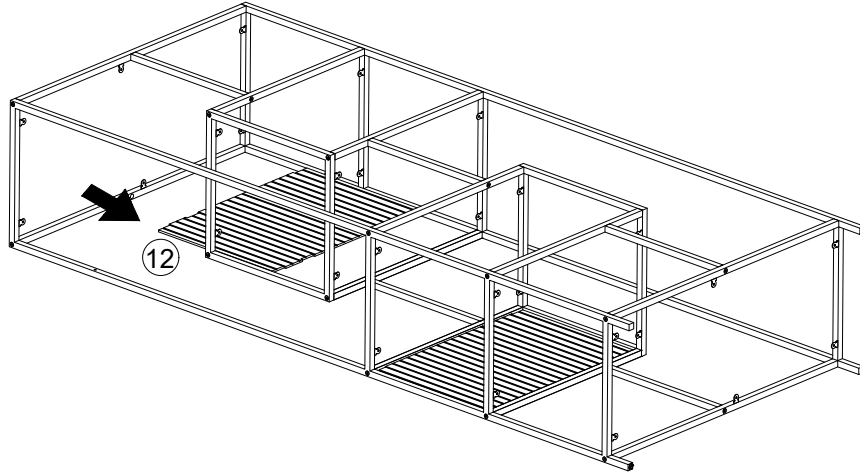
13



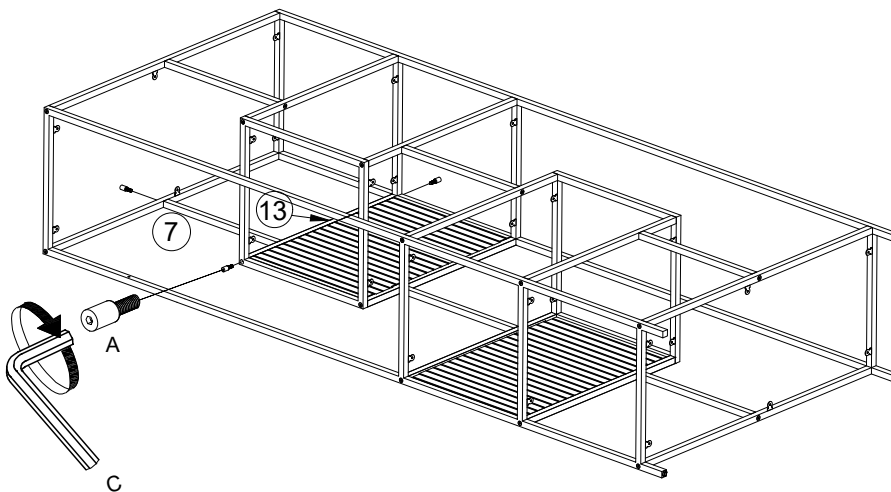
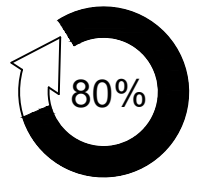
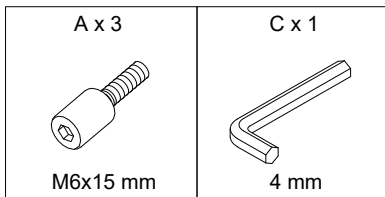
14



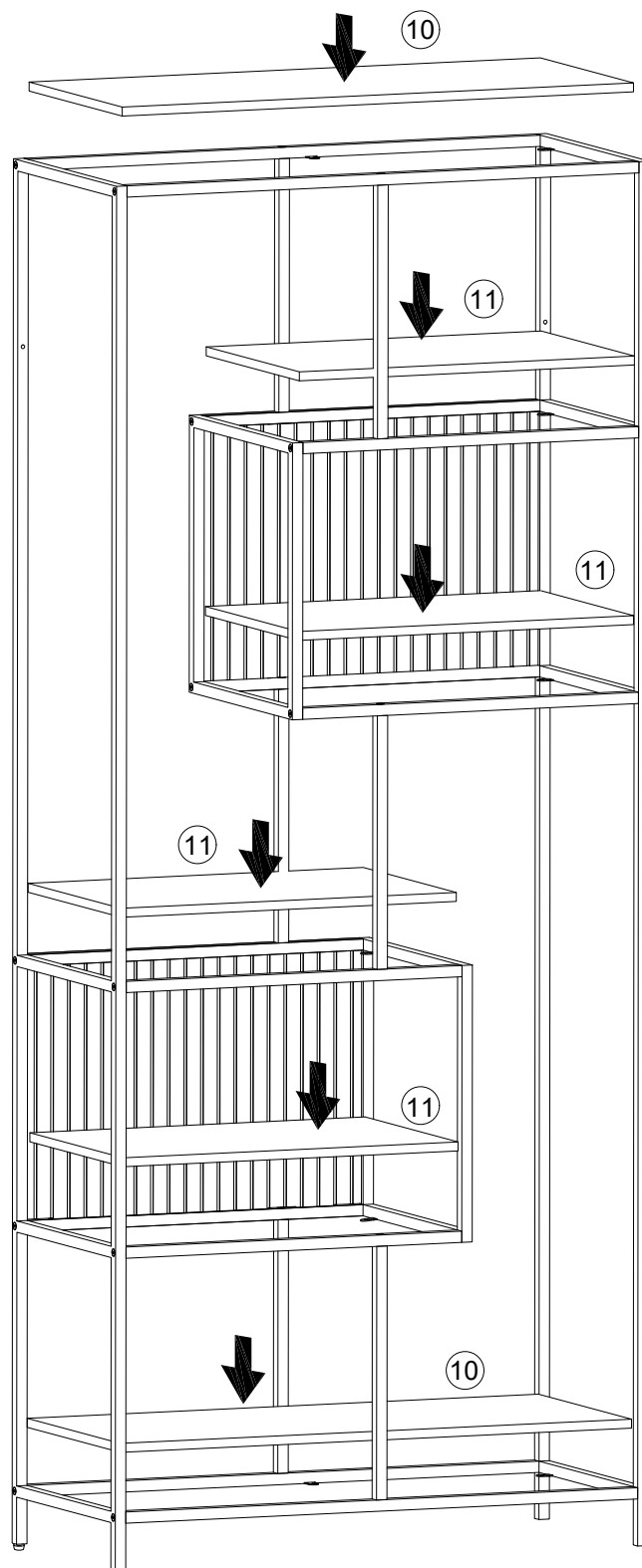
15



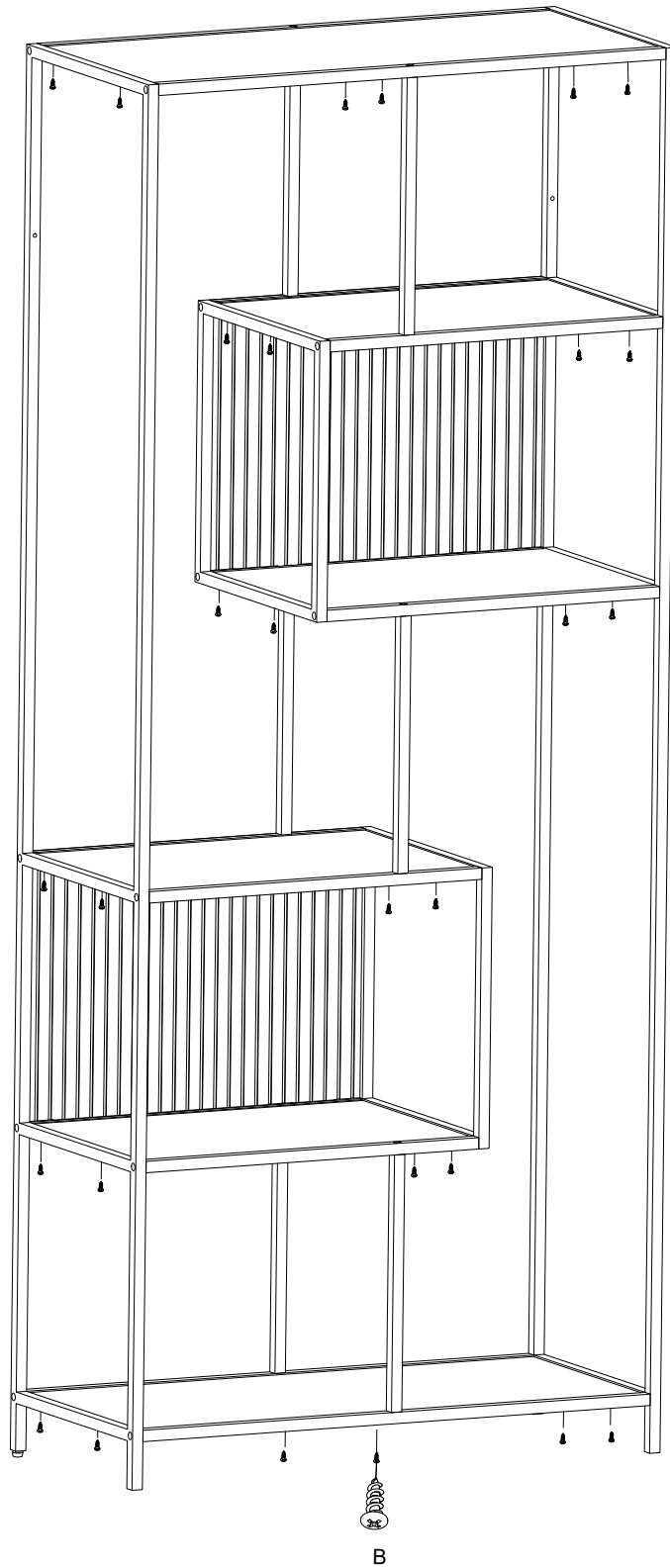
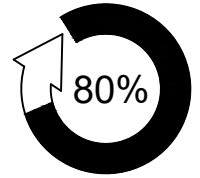
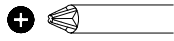
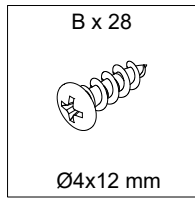
16



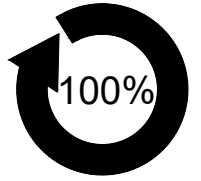
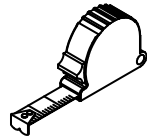
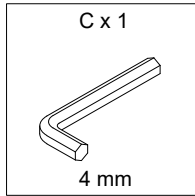
17



18

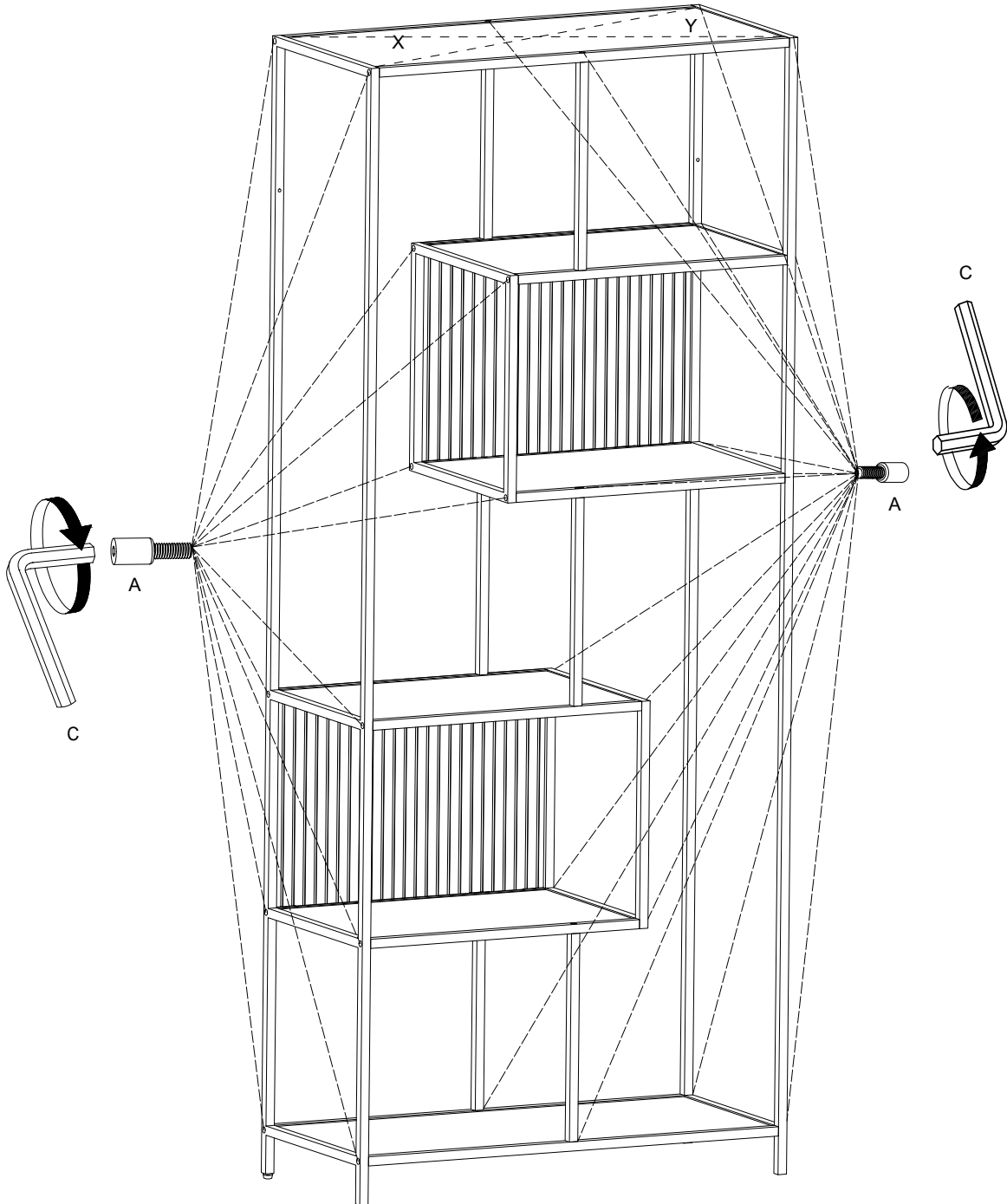


19

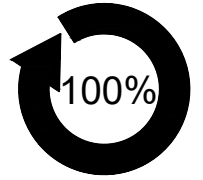
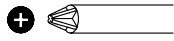


Ax29

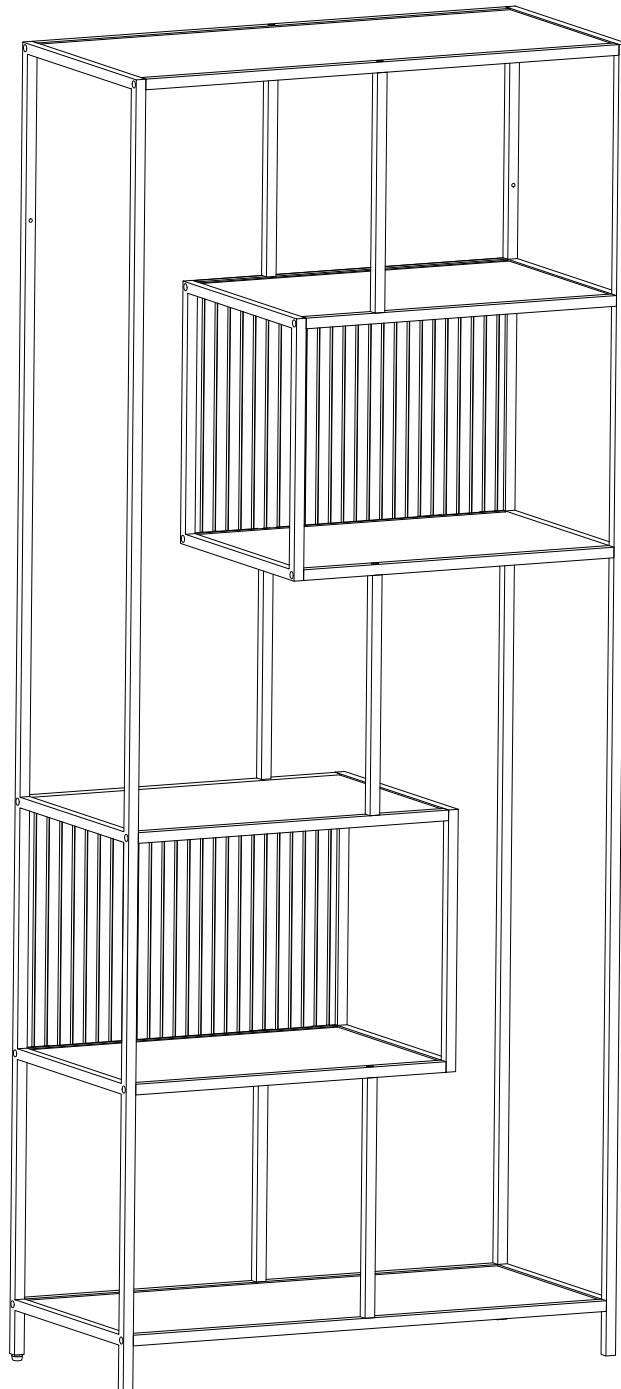
X=Y



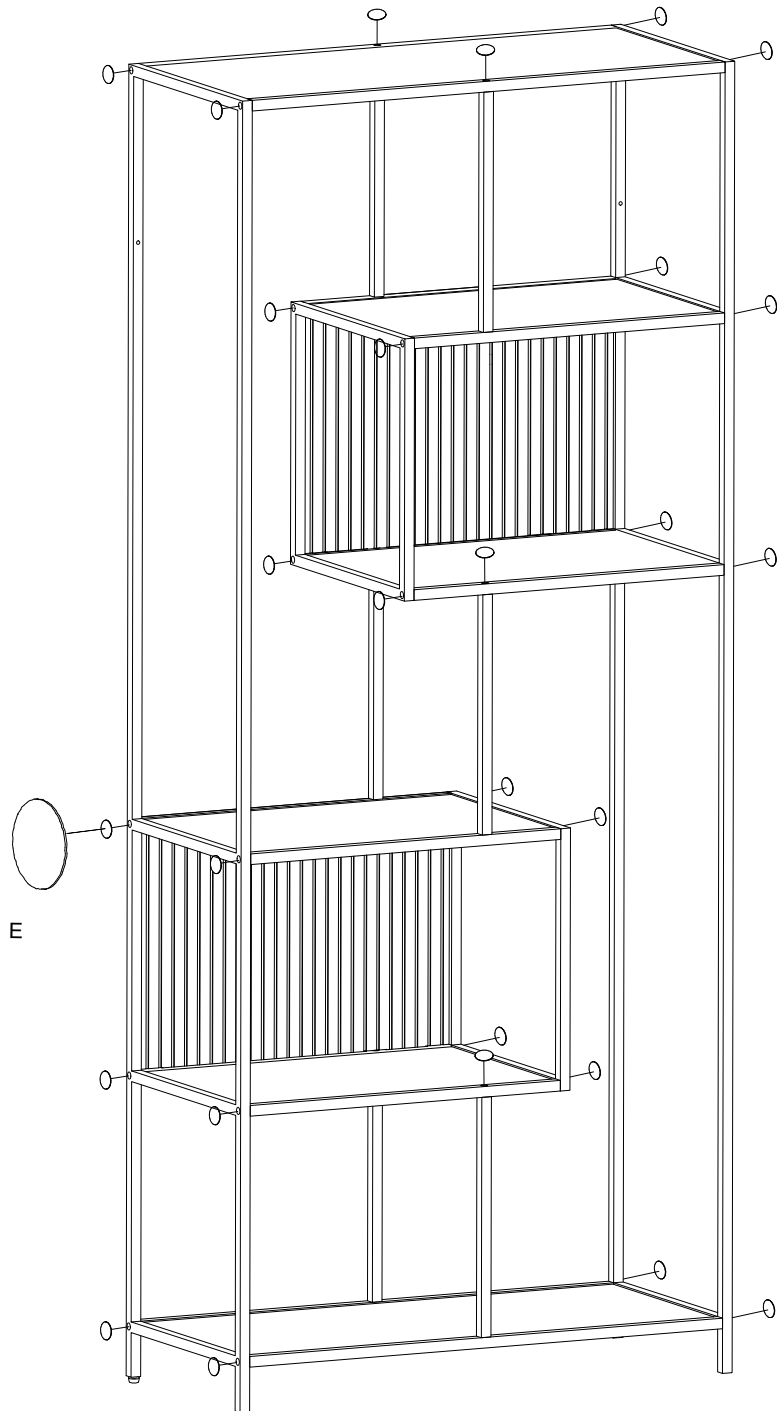
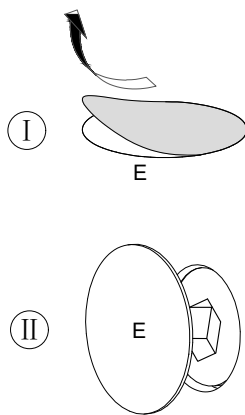
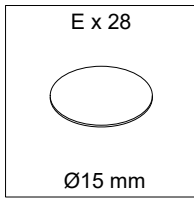
20



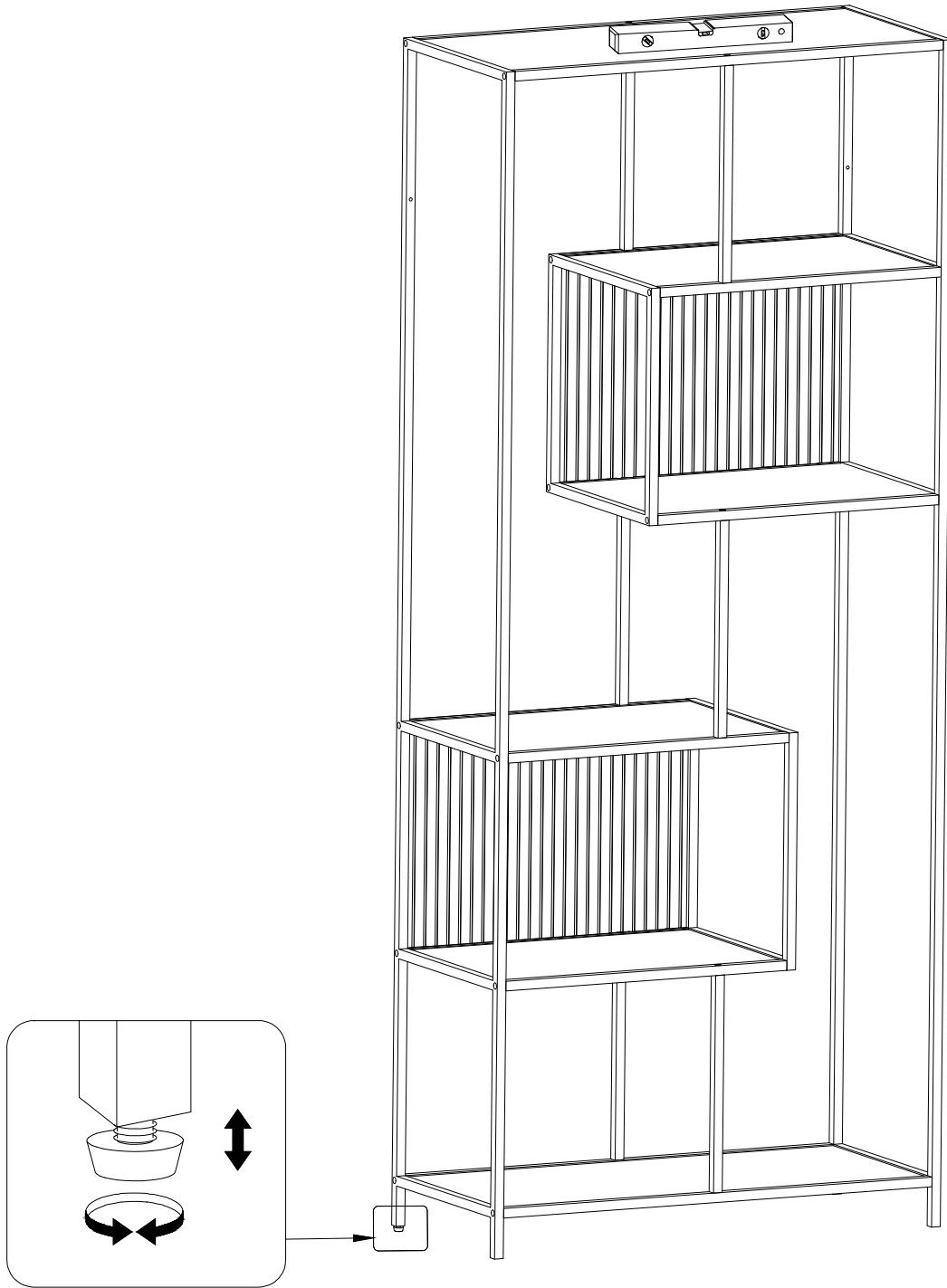
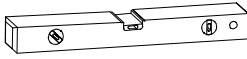
Bx28



21



22



23

